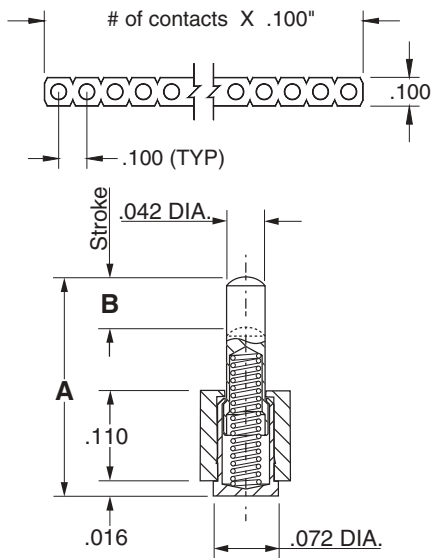


- Modular contacts for use on .100" grid, available in eight heights from .137" to .295", supplied in single and double row contact strips.
- Precision machined piston / base and gold plated components assure a 100,000 min. cycle life.
- Pistons have a long stroke relative to the low profile of the assembly.
- Low resistance, high current contacts are rated at 2 amps continuous, 3 amps peak.
- High temperature thermoplastic insulators are suitable for surface mount processes.
- A typical application would be as the base unit (battery/charger) interface for portable equipment such as mobile phones/radios, bar code readers, medical and test instruments.



SINGLE ROW
Series 811



Ordering Information

Single Row Series 811

811-22-0__-30-00_-101

Specify # of contacts → 01-64
 Specify contact style 0-7

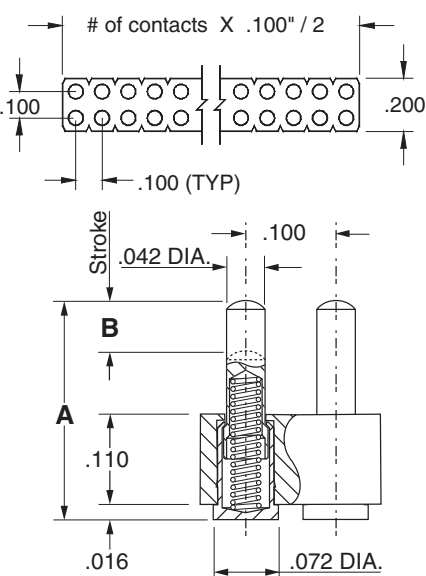
Double Row Series 813

813-22-0__-30-00_-101

Specify # of contacts → 04-72
 Specify contact style 0-7

CONTACT STYLE	INITIAL HEIGHT A	STROKE B
0	.137	.039
1	.177	.055
2	.197	.055
3	.217	.055
4	.236	.055
5	.256	.055
6	.276	.055
7	.295	.055

DOUBLE ROW
Series 813



Double Row Series 813 in carrier tape

813-22-0__-30-00_-191

Specify # of contacts → 04-16
 Specify contact style 0-7

