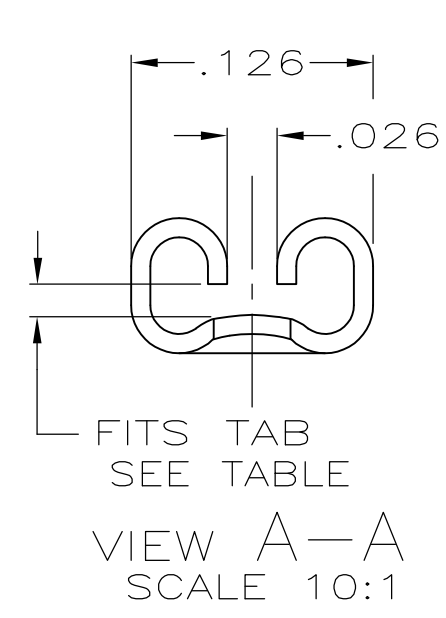
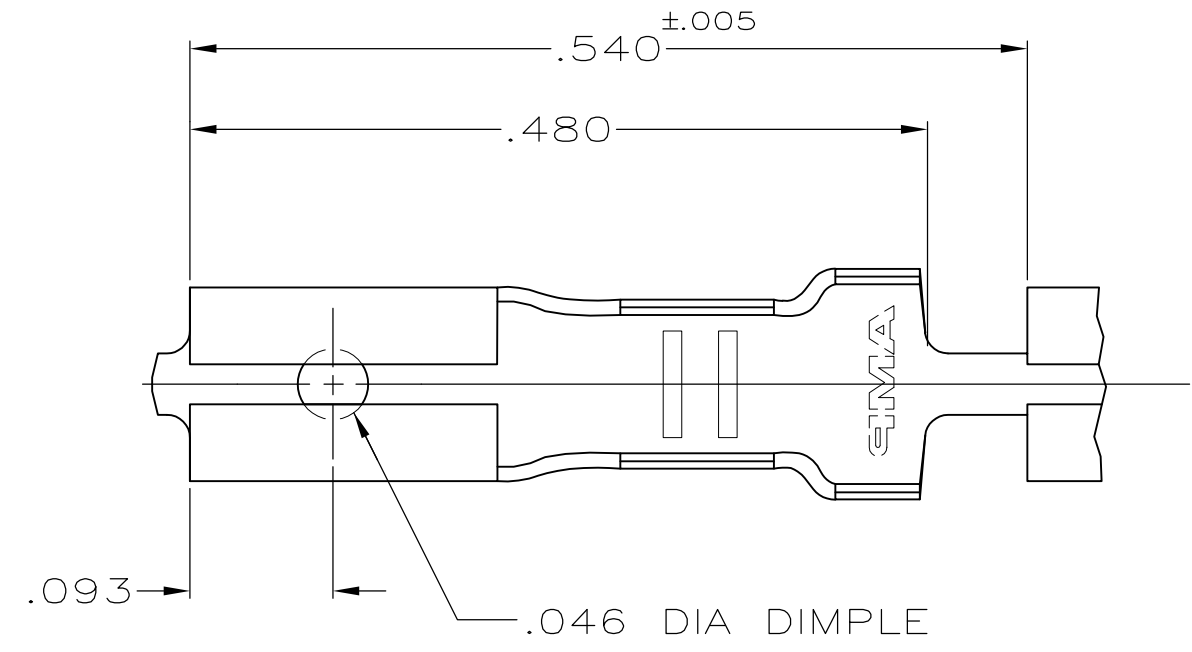
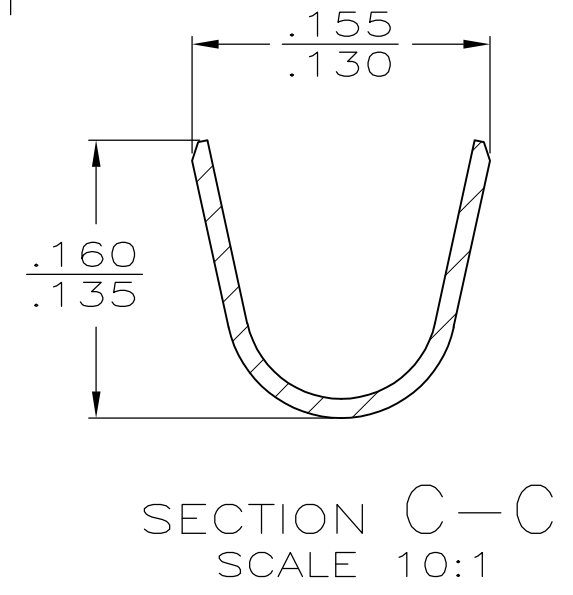
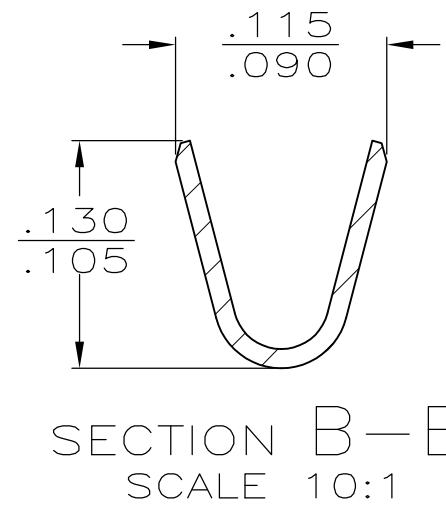
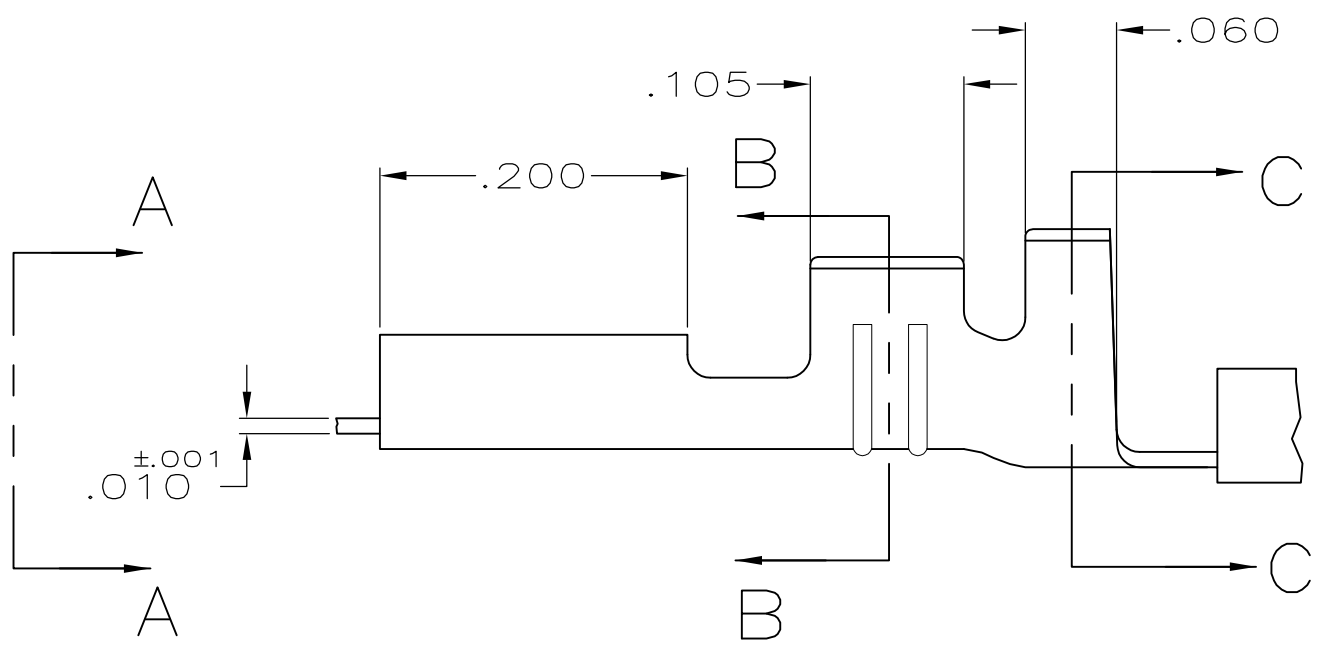


THIS DRAWING IS UNPUBLISHED. RELEASED FOR PUBLICATION  
 © COPYRIGHT - By - ALL RIGHTS RESERVED.

LOC	DIST	REVISIONS			
P	LTR	DESCRIPTION	DATE	DWN	APVD
AF	50	J	REVISED PER ECR-12-013445	18OCT12	KH PD



1 CONTINUOUS STRIP ON REELS.



.080-.120	22-18	.032 x .103 MAX	60252-1
INSUL RANGE	WIRE SIZE	MATING TAB	PART NO
THIS DRAWING IS A CONTROLLED DOCUMENT.		TE Connectivity RECEPTACLE, FASTON, SPECIAL	
DIMENSIONS: mm [INCHES]	TOLERANCES UNLESS OTHERWISE SPECIFIED:	NAME	
	0 PLC ± -	DWN JR RUTH 12/10/92	
	1 PLC ± -	CHK MS FEHER 12/10/92	
	2 PLC ± -	APVD J GILLESPIE 12/10/92	
	3 PLC ± 0.38 [.015]	PRODUCT SPEC	
4 PLC ± -	APPLICATION SPEC		
ANGLES ± -	FINISH PRE-TIN		
MATERIAL BRASS	FINISH PRE-TIN	SIZE A3	CAGE CODE 00779
CUSTOMER DRAWING		DRAWING NO C-60252	RESTRICTED TO -
SCALE 5:1		SHEET 1 OF 1	REV J