

# Fixed Coaxial Attenuators



Model 45

Model 58

High Power Fixed Coaxial Attenuator

Convection Cooled

dc to 1.5 GHz

dc to 5.0 GHz

250 Watts

**RoHS**



## Features

- Quality connectors with special high temperature support beads.
- Designed to meet environmental requirements of MIL-DTL-3933.

## Specifications

**NOMINAL IMPEDANCE:** 50 Ω

**FREQUENCY RANGE:** Model 45: dc to 1.5 GHz  
Model 58: dc to 5.0 GHz

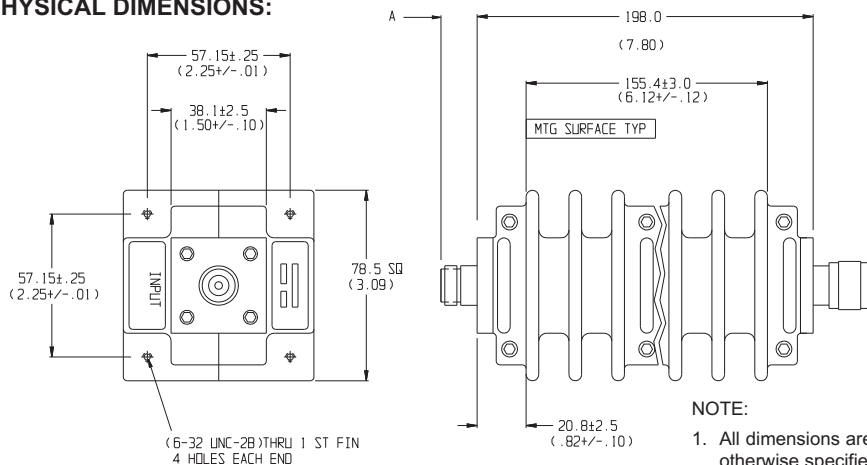
Nominal ATTN (dB)	MAXIMUM DEVIATION OVER FREQUENCY:		
	45	58	58 LIM
3*, 6	± 0.50	± 1.50	---
10, 20	± 0.50	± 1.50	± 2.00
30, 40	± 0.50	± 1.75	± 3.00

MAXIMUM SWR:		
Frequency (GHz)	Input	Output
dc - 2 (1.5*)	1.10	1.20 (1.10*)
2 - 5	1.15	1.25

\* Model 45 only!

**3rd ORDER INTERMODULATION (58-XX-XX-LIM ONLY):** Reflected Levels (IM3), -100 & Through Levels (IM3), -110 dBc with two input signals @ 869 MHz and 891 MHz with average carrier power levels of +43 dBm each.

## PHYSICAL DIMENSIONS:



Connector	DIM A
N Male	22.9 (0.90)
N Female	15.0 (0.59)

**POWER RATING** (mounted horizontally with fins vertical): 250 watts **average** (unidirectional) to 55°C ambient temperature, derated linearly to 10% @ 125°C. 10 kilowatt **peak** (5 μsec pulse width; 1.25% duty cycle). Maximum power rating into output port is 50 watts average. Note: Model 45-3-XX is rated for 500 Watts **average** (unidirectional) into the input and 250 Watts average (maximum) into the output port.

**POWER COEFFICIENT:** <0.0001 dB/dB/watt

**TEMPERATURE COEFFICIENT:** <0.0004 dB/dB/°C

**TEMPERATURE RANGE:** -55°C to 125°C

**TEST DATA:** Insertion loss test data supplied at 0.05, 1, 2, 3, 4 and 5 GHz (Model 45 at 0.05 and 1.5 GHz). Other test data can be provided at additional cost.

**CONNECTORS:** Type N connectors per MIL-STD-348 interface dimensions - mate nondestructively with MIL-C-39012 connectors.

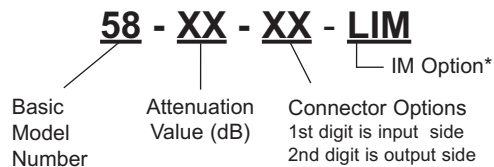
Connector Options	Type/Description
3	Type N, Female
4	Type N, Male

**CONSTRUCTION:** Aluminum alloy body, stainless steel connectors; gold plated beryllium copper contacts.

**WEIGHT:** 1,530 g (6 lbs, 3 oz.) maximum

## MODEL NUMBER DESCRIPTION:

Example:



\*Add -LIM for Low Intermodulation option. Option only available with Model 58 in 10, 20, 30, 40 dB and is not available through Express.

## NOTE:

- All dimensions are given in mm (inches) and are maximum, unless otherwise specified.
- Unit available with RoHS compliant materials, specify when ordering.