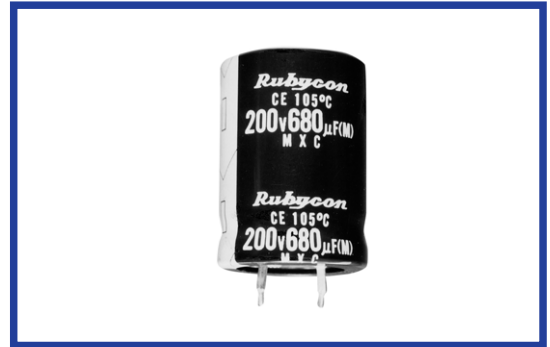


MXC SERIES

105°C Standard, Snap-in Terminal Type

◆FEATURES

- Load Life : 105°C 3000 hours.
- RoHS compliance.



◆SPECIFICATIONS

Items	Characteristics																							
Category Temperature Range	-40~+105°C	-25~+105°C																						
Rated Voltage Range	10~100V.DC	160~450V.DC																						
Capacitance Tolerance	±20% (20°C, 120Hz)																							
Leakage Current(MAX)	$I=3\sqrt{CV}$ (After 5 minutes application of rated voltage) I=Leakage Current(μA) C=Capacitance(μF) V=Rated Voltage(V)																							
(tanδ) Dissipation Factor(MAX)	<table border="1"> <thead> <tr> <th>Rated Voltage (V)</th> <th>10</th> <th>16</th> <th>25</th> <th>35</th> <th>50</th> <th>63</th> <th>80</th> <th>100</th> <th>160~400</th> <th>420~450</th> </tr> </thead> <tbody> <tr> <td>tanδ</td> <td>0.55</td> <td>0.50</td> <td>0.45</td> <td>0.40</td> <td>0.35</td> <td>0.30</td> <td>0.25</td> <td>0.20</td> <td>0.15</td> <td>0.20</td> </tr> </tbody> </table> (20°C, 120Hz)		Rated Voltage (V)	10	16	25	35	50	63	80	100	160~400	420~450	tanδ	0.55	0.50	0.45	0.40	0.35	0.30	0.25	0.20	0.15	0.20
Rated Voltage (V)	10	16	25	35	50	63	80	100	160~400	420~450														
tanδ	0.55	0.50	0.45	0.40	0.35	0.30	0.25	0.20	0.15	0.20														
Endurance	After applying rated voltage with rated ripple current for 3000 hours at 105°C, the capacitors shall meet the following requirements. <table border="1"> <tbody> <tr> <td>Capacitance Change</td> <td>Within ±20% of the initial value.</td> </tr> <tr> <td>Dissipation Factor</td> <td>Not more than 200% of the specified value.</td> </tr> <tr> <td>Leakage Current</td> <td>Not more than the specified value.</td> </tr> </tbody> </table>		Capacitance Change	Within ±20% of the initial value.	Dissipation Factor	Not more than 200% of the specified value.	Leakage Current	Not more than the specified value.																
Capacitance Change	Within ±20% of the initial value.																							
Dissipation Factor	Not more than 200% of the specified value.																							
Leakage Current	Not more than the specified value.																							
Low Temperature Stability Impedance Ratio(MAX)	<table border="1"> <thead> <tr> <th>Rated Voltage (V)</th> <th>10~100</th> <th>160~250</th> <th>315~450</th> </tr> </thead> <tbody> <tr> <td>Z(-25°C)/Z(20°C)</td> <td>3</td> <td>3</td> <td>8</td> </tr> <tr> <td>Z(-40°C)/Z(20°C)</td> <td>12</td> <td>-</td> <td>-</td> </tr> </tbody> </table> (120Hz)		Rated Voltage (V)	10~100	160~250	315~450	Z(-25°C)/Z(20°C)	3	3	8	Z(-40°C)/Z(20°C)	12	-	-										
Rated Voltage (V)	10~100	160~250	315~450																					
Z(-25°C)/Z(20°C)	3	3	8																					
Z(-40°C)/Z(20°C)	12	-	-																					

◆MULTIPLIER FOR RIPPLE CURRENT

Frequency Coefficient

Frequency (Hz)		60(50)	120	500	1k	10k≤
Coefficient	10~100WV	0.90	1.00	1.05	1.10	1.15
	160~250WV	0.80	1.00	1.20	1.30	1.50
	315~450WV	0.80	1.00	1.20	1.25	1.40

◆PART NUMBER

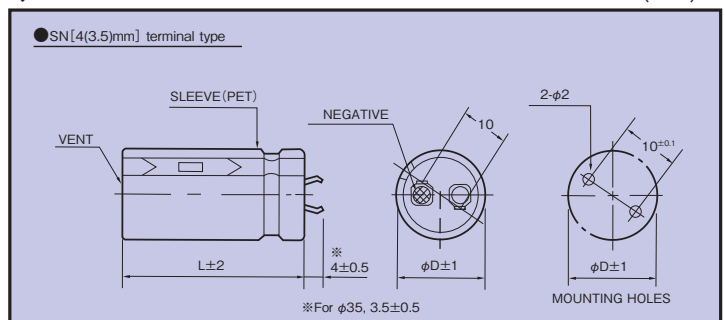
□□□ MXC □□□□□ M □□□ SN DXL
 Rated Voltage Series Capacitance Capacitance Tolerance Option Terminal Code Case Size

◆OPTION

	Code
PET Sleeve without plate	EFC

◆DIMENSIONS

(mm)



◆ STANDARD SIZE

Cap (μ F)	WV ϕ D	10					16						
		ϕ 20	ϕ 22	ϕ 25	ϕ 30	ϕ 35	ϕ 20	ϕ 22	ϕ 25	ϕ 30	ϕ 35		
6800		20x25; 1.31					20x25; 1.80						
8200		20x30; 1.59					20x30; 2.08	22x25; 2.08					
10000		20x30; 1.88	22x25; 1.77				20x35; 2.15	22x30; 2.15					
12000		20x35; 2.18	22x30; 2.10	25x25; 1.94			20x40; 2.31	22x30; 2.31	25x25; 2.31				
15000		20x40; 2.27	22x35; 2.23	25x30; 2.10				22x35; 2.68	25x30; 2.68				
18000			22x40; 2.41	25x30; 2.34	30x25; 2.25			22x40; 3.20	25x30; 3.20	30x25; 3.20			
22000			22x45; 2.58	25x35; 2.54	30x30; 2.50			22x45; 3.36	25x35; 3.36	30x30; 3.36			
27000			22x50; 3.17	25x40; 3.07	30x30; 2.95			22x50; 3.85	25x40; 3.85	30x30; 3.85			
33000				25x45; 3.39	30x35; 3.33	35x30; 3.21			25x45; 4.30	30x35; 4.30	35x30; 4.30		
39000					30x40; 3.70	35x35; 3.68			25x50; 4.81	30x40; 4.81	35x35; 4.81		
47000					30x45; 4.22	35x40; 4.16				30x45; 5.53	35x40; 5.53		
56000						35x45; 5.00				30x50; 6.00	35x45; 6.00		
68000											35x50; 6.40		

Cap (μ F)	WV ϕ D	25					35						
		ϕ 20	ϕ 22	ϕ 25	ϕ 30	ϕ 35	ϕ 20	ϕ 22	ϕ 25	ϕ 30	ϕ 35		
2700							20x25; 1.29						
3300							20x30; 1.57						
3900							20x30; 1.78	22x25; 1.78					
4700		20x25; 1.65					20x35; 2.02	22x30; 2.02					
5600		20x30; 1.85	22x25; 1.85				20x40; 2.13	22x35; 2.13	25x25; 2.13				
6800		20x35; 2.11	22x30; 2.11					22x40; 2.41	25x30; 2.41				
8200		20x40; 2.34	22x30; 2.34	25x25; 2.34				22x45; 2.85	25x35; 2.85	30x25; 2.85			
10000			22x35; 2.65	25x30; 2.65				22x50; 3.05	25x40; 3.05	30x30; 3.05			
12000			22x40; 2.81	25x30; 2.81	30x25; 2.81				25x45; 3.37	30x35; 3.37	35x30; 3.37		
15000			22x45; 3.13	25x35; 3.13	30x30; 3.13				25x50; 3.72	30x40; 3.72	35x35; 3.72		
18000				25x40; 3.56	30x30; 3.56					30x45; 4.37	35x35; 4.37		
22000				25x50; 4.04	30x35; 4.04	35x30; 4.04				30x50; 4.92	35x40; 4.92		
27000					30x40; 4.74	35x35; 4.74					35x50; 5.30		
33000					30x50; 5.50	35x40; 5.50							
39000						35x45; 5.80							
47000						35x50; 6.30							

Cap (μ F)	WV ϕ D	50					63						
		ϕ 20	ϕ 22	ϕ 25	ϕ 30	ϕ 35	ϕ 20	ϕ 22	ϕ 25	ϕ 30	ϕ 35		
1200							20x25; 1.20						
1500							20x30; 1.47	22x25; 1.47					
1800		20x25; 1.39					20x35; 1.58	22x30; 1.58					
2200		20x30; 1.60	22x25; 1.60				20x40; 1.82	22x35; 1.82	25x25; 1.82				
2700		20x35; 1.73	22x30; 1.73	25x25; 1.73				22x35; 2.11	25x30; 2.11				
3300		20x40; 1.97	22x35; 1.97	25x30; 1.97				22x45; 2.33	25x35; 2.33	30x25; 2.33			
3900			22x40; 2.22	25x30; 2.22				22x50; 2.55	25x40; 2.55	30x30; 2.55			
4700			22x45; 2.43	25x35; 2.43	30x25; 2.43				25x45; 2.97	30x35; 2.97			
5600			22x50; 2.75	25x40; 2.75	30x30; 2.75				25x50; 3.22	30x35; 3.22	35x30; 3.22		
6800				25x45; 3.30	30x35; 3.30					30x40; 3.65	35x35; 3.65		
8200				25x50; 3.60	30x40; 3.60	35x30; 3.60				30x50; 4.04	35x40; 4.04		
10000					30x45; 4.05	35x35; 4.05					35x45; 4.48		
12000					30x50; 4.56	35x40; 4.56					35x50; 4.75		
15000						35x50; 4.77							

Cap (μ F)	WV ϕ D	80					100						
		ϕ 20	ϕ 22	ϕ 25	ϕ 30	ϕ 35	ϕ 20	ϕ 22	ϕ 25	ϕ 30	ϕ 35		
560							20x25; 0.95						
680							20x30; 1.15	22x25; 1.15					
820		20x25; 1.04					20x35; 1.32	22x30; 1.32					
1000		20x30; 1.24	22x25; 1.24				20x35; 1.47	22x30; 1.47	25x25; 1.47				
1200		20x35; 1.44	22x30; 1.44				20x40; 1.69	22x35; 1.69	25x30; 1.69				
1500		20x35; 1.59	22x30; 1.59	25x25; 1.59				22x40; 1.98	25x35; 1.98	30x25; 1.98			
1800		20x40; 1.79	22x35; 1.79	25x30; 1.79				22x45; 2.23	25x35; 2.23	30x30; 2.23			
2200			22x40; 2.03	25x30; 2.03	30x25; 2.03				25x45; 2.55	30x35; 2.55	35x30; 2.55		
2700			22x45; 2.39	25x35; 2.39	30x30; 2.39				25x50; 2.89	30x40; 2.89	35x30; 2.89		
3300				25x40; 2.64	30x35; 2.64					30x45; 3.30	35x35; 3.30		
3900				25x50; 2.97	30x35; 2.97	35x30; 2.97				30x50; 3.67	35x40; 3.67		
4700					30x40; 3.38	35x35; 3.38					35x45; 3.80		
5600					30x45; 3.80	35x40; 3.80					35x50; 4.05		
6800						35x45; 4.10							
8200						35x50; 4.30							

↑
Ripple Current (A r.m.s./120Hz, 105°C)
Case Size ϕ D×L(mm)

◆ STANDARD SIZE

Cap (μ F)	WV ϕ D	160					180				
		ϕ 20	ϕ 22	ϕ 25	ϕ 30	ϕ 35	ϕ 20	ϕ 22	ϕ 25	ϕ 30	ϕ 35
270		20x25:1.10					20x25:0.93				
330		20x30:1.20	22x25:1.21				20x30:1.20	22x25:1.20			
390		20x30:1.24	22x25:1.30				20x35:1.30	22x30:1.35			
470		20x35:1.42	22x30:1.41				20x40:1.40	22x35:1.42	25x25:1.38		
560		20x40:1.57	22x35:1.54	25x25:1.51			20x45:1.55	22x40:1.60	25x30:1.55		
680		20x45:1.70	22x40:1.74	25x30:1.74	30x25:1.74			22x45:1.78	25x35:1.78	30x25:1.55	
820			22x45:2.00	25x35:2.00	30x30:2.00			22x50:2.00	25x40:2.00	30x30:2.00	35x25:2.00
1000			22x50:2.25	25x40:2.25	30x30:2.25	35x25:2.25			25x45:2.25	30x35:2.25	35x30:2.26
1200				25x45:2.49	30x35:2.49	35x30:2.45			25x50:2.54	30x40:2.52	35x30:2.60
1500					30x40:2.84	35x30:2.68				30x45:2.90	35x35:2.95
1800					30x45:3.32	35x35:3.00				30x50:3.00	35x40:3.30
2200						35x45:3.50					35x50:3.65
2700						35x50:4.00					

Cap (μ F)	WV ϕ D	200					220				
		ϕ 20	ϕ 22	ϕ 25	ϕ 30	ϕ 35	ϕ 20	ϕ 22	ϕ 25	ϕ 30	ϕ 35
180							20x25:0.86				
220		20x25:1.00					20x30:1.04	22x25:0.99			
270		20x30:1.10	22x25:1.10				20x30:1.08	22x25:1.04			
330		20x30:1.15	22x30:1.25				20x35:1.30	22x30:1.32	25x25:1.26		
390		20x35:1.25	22x30:1.31	25x25:1.31			20x40:1.45	22x35:1.42	25x30:1.45		
470		20x40:1.42	22x35:1.45	25x30:1.45			20x45:1.63	22x40:1.67	25x30:1.54	30x25:1.48	
560			22x40:1.60	25x30:1.60	30x25:1.60			22x45:1.77	25x35:1.66	30x30:1.65	
680			22x45:1.75	25x35:1.78	30x30:1.78				25x40:1.87	30x30:1.82	35x25:1.78
820			22x50:1.95	25x40:1.95	30x30:2.00				25x45:2.04	30x35:2.00	35x30:1.93
1000				25x45:2.10	30x35:2.30	35x30:2.30				30x40:2.48	35x35:2.33
1200					30x40:2.64	35x35:2.65				30x45:2.88	35x40:2.65
1500					30x50:3.08	35x40:3.08					35x45:2.96
1800						35x45:3.48					35x50:3.39
2200						35x50:3.55					

Cap (μ F)	WV ϕ D	250					315				
		ϕ 20	ϕ 22	ϕ 25	ϕ 30	ϕ 35	ϕ 20	ϕ 22	ϕ 25	ϕ 30	ϕ 35
82							20x25:0.64				
100							20x30:0.69	22x25:0.62			
120							20x30:0.75	22x25:0.75	25x25:0.76		
150							20x35:0.82	22x30:0.82	25x25:0.82		
180							20x40:0.90	22x35:0.92	25x25:0.90		
220		20x30:1.00	22x25:1.00				20x50:1.00	22x40:1.04	25x30:1.04	30x25:1.04	
270		20x35:1.10	22x30:1.15					22x45:1.16	25x35:1.15	30x25:1.15	35x25:1.15
330		20x40:1.20	22x35:1.28					22x50:1.22	25x40:1.23	30x30:1.33	35x25:1.32
390		20x45:1.35	22x40:1.49	25x30:1.35	30x25:1.49				25x45:1.40	30x35:1.47	35x30:1.47
470			22x45:1.60	25x35:1.57	30x30:1.65					30x40:1.70	35x30:1.70
560			22x50:1.72	25x40:1.80	30x30:1.80					30x45:2.05	35x35:1.90
680				25x45:1.85	30x35:2.00	35x30:2.00				30x50:2.14	35x40:2.17
820				25x50:2.10	30x40:2.18	35x35:2.30					35x45:2.20
1000					30x45:2.40	35x35:2.35					
1200						35x40:2.50					
1500						35x50:3.00					

Cap (μ F)	WV ϕ D	350					385				
		ϕ 20	ϕ 22	ϕ 25	ϕ 30	ϕ 35	ϕ 20	ϕ 22	ϕ 25	ϕ 30	ϕ 35
56							20x25:0.42				
68		20x25:0.47					20x30:0.47	22x25:0.49			
82		20x30:0.55					20x30:0.52	22x25:0.55			
100		20x30:0.60	22x25:0.69				20x35:0.60	22x30:0.66	25x25:0.66		
120		20x35:0.70	22x30:0.75	25x25:0.75			20x40:0.68	22x35:0.71	25x25:0.71		
150		20x40:0.78	22x35:0.82	25x30:0.83				22x40:0.83	25x30:0.83	30x25:0.77	
180		20x45:0.88	22x40:0.92	25x30:0.92	30x25:0.92			22x45:0.92	25x35:0.92	30x30:0.89	
220			22x45:1.05	25x35:1.05	30x30:1.02			22x50:1.03	25x40:1.03	30x30:1.01	35x25:1.03
270			22x50:1.18	25x40:1.18	30x30:1.18	35x25:1.20			25x45:1.14	30x35:1.15	35x30:1.13
330				25x45:1.30	30x35:1.35	35x30:1.22				30x40:1.32	35x30:1.35
390				25x50:1.45	30x40:1.52	35x35:1.48				30x45:1.46	35x35:1.50
470					30x45:1.65	35x35:1.70				30x50:1.72	35x40:1.79
560					30x50:1.85	35x40:1.90					35x45:1.99
680						35x45:2.00					

↑ Ripple Current (A r.m.s./120Hz, 105°C)
 ↑ Case Size ϕ D×L(mm)

◆ STANDARD SIZE

Cap (μ F)	WV ϕ D	400					420						
		ϕ 20	ϕ 22	ϕ 25	ϕ 30	ϕ 35	ϕ 20	ϕ 22	ϕ 25	ϕ 30	ϕ 35		
56	20x25; 0.51						20x25; 0.44						
68	20x30; 0.56	22x25; 0.52					20x30; 0.49	22x25; 0.51					
82	20x30; 0.64	22x25; 0.64					20x35; 0.54	22x30; 0.65	25x25; 0.65				
100	20x35; 0.70	22x30; 0.70	25x25; 0.70				20x35; 0.61	22x30; 0.68	25x25; 0.67				
120	20x40; 0.75	22x35; 0.75	25x25; 0.75				20x40; 0.70	22x35; 0.73	25x30; 0.76	30x25; 0.81			
150	20x45; 0.83	22x40; 0.88	25x30; 0.88	30x25; 0.82			20x45; 0.78	22x40; 0.86	25x35; 0.87	30x25; 0.84			
180		22x45; 0.98	25x35; 0.98	30x30; 0.95				22x45; 0.96	25x35; 0.95	30x30; 0.97	35x25; 0.91		
220		22x50; 1.10	25x40; 1.10	30x30; 1.10	35x25; 1.10				25x40; 1.08	30x35; 1.14	35x30; 1.07		
270			25x45; 1.21	30x35; 1.22	35x30; 1.22				25x50; 1.38	30x35; 1.20	35x35; 1.29		
330				30x40; 1.44	35x30; 1.44					30x40; 1.37	35x35; 1.44		
390				30x45; 1.55	35x35; 1.60					30x45; 1.50	35x40; 1.63		
470					35x40; 1.90						35x45; 1.88		
560					35x45; 2.12								

Cap (μ F)	WV ϕ D	450				
		ϕ 20	ϕ 22	ϕ 25	ϕ 30	ϕ 35
47	20x25; 0.39					
56	20x30; 0.51	22x25; 0.44				
68	20x35; 0.56	22x30; 0.53				
82	20x35; 0.64	22x30; 0.64	25x25; 0.64			
100	20x45; 0.69	22x35; 0.69	25x30; 0.69	30x25; 0.69		
120	20x50; 0.75	22x40; 0.75	25x30; 0.75	30x25; 0.80		
150		22x45; 0.88	25x35; 0.88	30x30; 0.88	35x25; 0.75	
180			25x40; 0.95	30x30; 1.00	35x30; 0.86	
220			25x45; 1.10	30x35; 1.12	35x30; 1.05	
270				30x40; 1.28	35x35; 1.27	
330				30x50; 1.45	35x40; 1.45	
390					35x40; 1.65	
470					35x50; 1.85	

↑ Ripple Current (A r.m.s./120Hz, 105°C)
 ↑ Case Size ϕ DxL(mm)