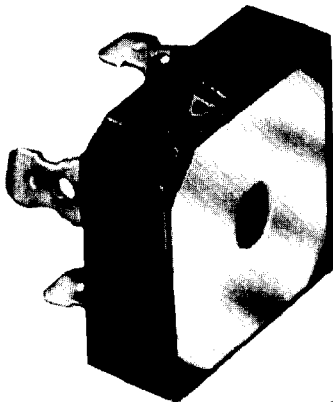


MINIBRIDGE®

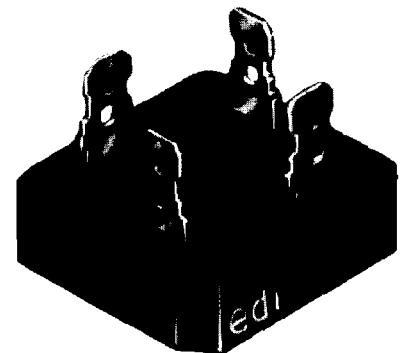
25, 40 and 50 AMPERE BRIDGE RECTIFIERS

FEATURE NEW HEAT SINK DESIGN



← INTEGRALLY MOLDED
HEAT SINKS
PROVIDE VERY LOW
THERMAL RESISTANCE

RU This mark indicates recognition under the component program of Underwriters Laboratories, Inc.



ELECTRICAL CHARACTERISTICS PER LEG (at $T_A = 25^\circ\text{C}$ Unless Otherwise Specified)

SERIES DESIGNATIONS (See Figure 1)

	VPI25	FPI40	MPI40	MPI50	UPI50	
Average Forward Current, I_F (Av.) TC 55°C See Figure 3	25	40	40	50	50	Amps.
Max. Peak Surge Current, I_{FSM} (8.3ms.) See Figure 2	200	300	400	400	1000	Amps.
Max. Instantaneous Forward Voltage Drop, $V_F = 1.2\text{V. @ } I_F = \text{Pulse Test:}$ Pulse Width $< 300 \mu\text{s. Duty cycle } < 2.0\%$	12	20	35	60	80	Amps.
Max. D.C. Reverse Current @ PRV and 25°C , I_R	10	10	10	10	10	μA
Max. D.C. Reverse Current @ PRV and 100°C , I_R	100	100	100	100	100	μA
Thermal Resistance, (Total Bridge $R_{\theta j-c}$)	2.5	1.2	1.2	1.0	1.0	$^\circ\text{C/W Typ.}$
Storage Temperature, Range, T_{STG}	-55 to +175 $^\circ\text{C}$					

EDI reserves the right to change these specifications at any time without notice.



ELECTRONIC DEVICES, INC.

21 GRAY OAKS AVENUE • YONKERS, NEW YORK 10710
914-965-4400 • FAX 914-965-5531 • 1-800-678-0828



Figure 1 PART NUMBER NOMENCLATURE

PEAK REVERSE VOLTAGE (PRV/LEG)

AVERAGE FORWARD CURRENT RATING (AMPERES)

Volts Amps.	50V.	100V.	200V.	400V.	600V.	800V.	1000V.
25A.	VPI2505	VPI2510	VPI2520	VPI2540	VPI2560	VPI2580	VPI25100
40A.	FPI4005	FPI4010	FPI4020	FPI4040	FPI4060	FPI4080	FP140100
40A.	MPI4005	MPI4010	MPI4020	MPI4040	MPI4060	MPI4080	MPI40100
50A.	MPI5005	MPI5010	MPI5020	MPI5040	MPI5060	MPI5080	MPI50100
50A.	UPI5005	UPI5010	UPI5020	UPI5040	UPI5060	UPI5080	UPI50100

NOTES: These bridges are also available in fast recovery and in positive and negative center tap and in doubler configurations. Consult Factory.

Figure 2 NON-REPETITIVE SURGE CURRENT

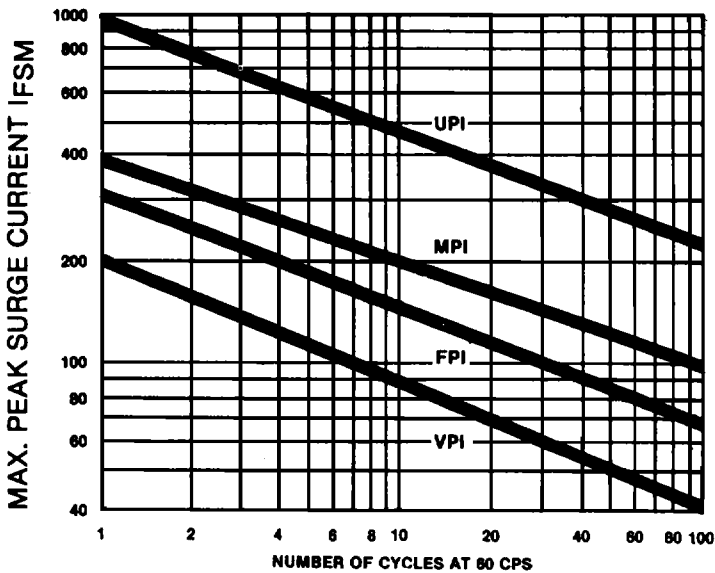
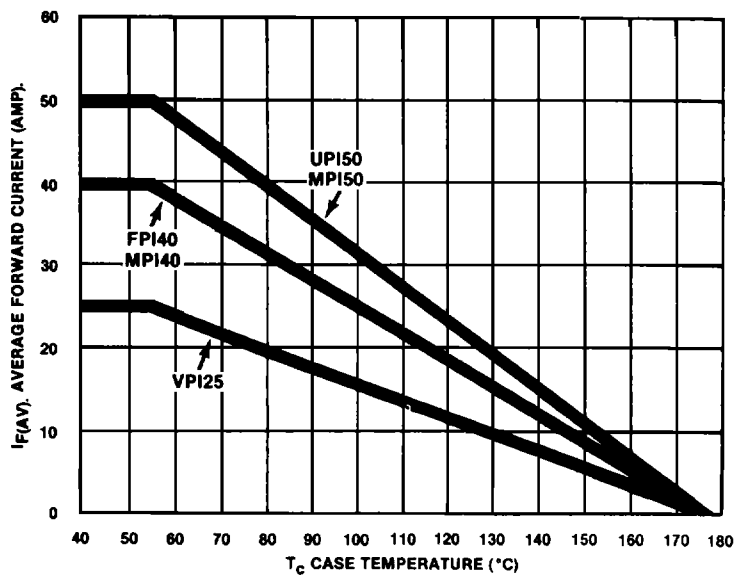


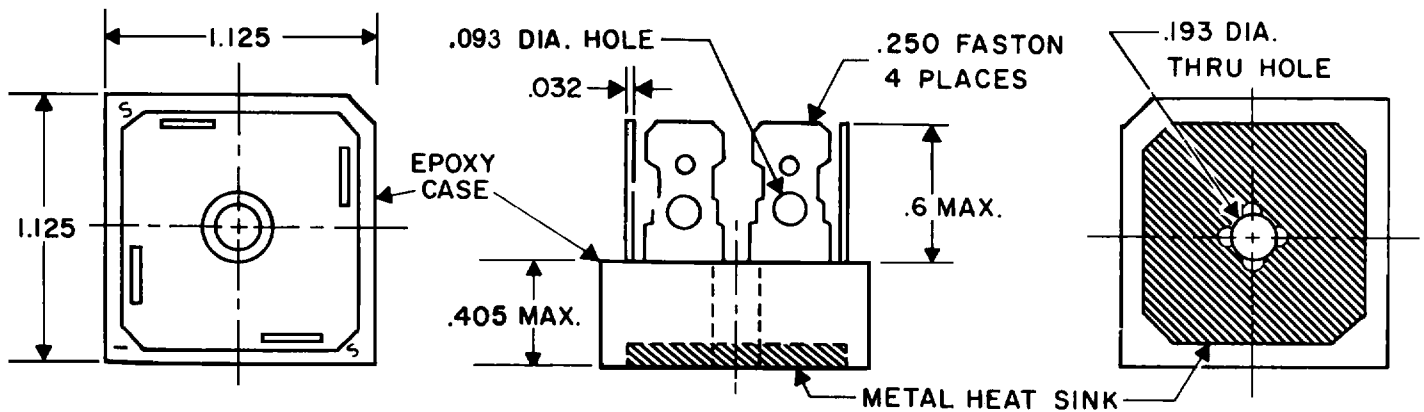
Figure 3 CURRENT DERATING



NOTE: For large capacitive load derate by up to 20%.

PI SERIES MECHANICAL OUTLINE

Dielectric test voltage 2,500 volts rms, max. 50-60 Hz.



- NOTES:**
1. Corrosion resistant terminals designed for .250 female quick connector, wrap around or solder.
 2. A thin film of silicone thermal compound is recommended between the MinibrIDGE[®] case and mounting surface for improved thermal conduction.