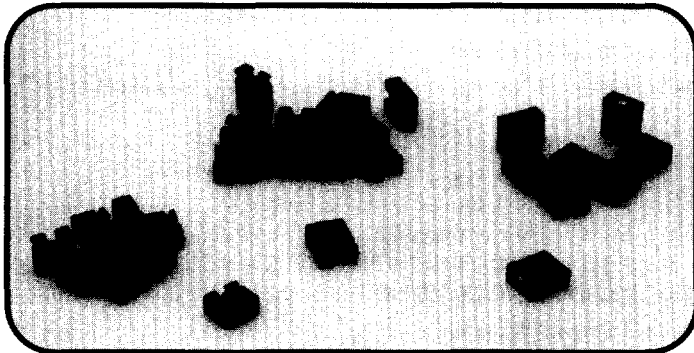


# S100, S200, S300 Series

## 0.1 (2.54mm) Centers

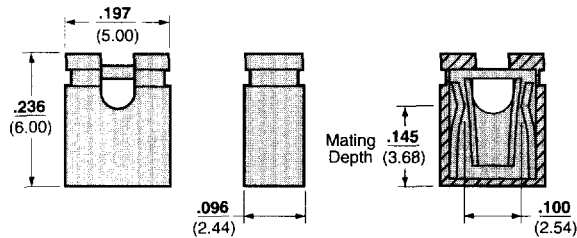


### FEATURES

- Low or high insertion force is available
- Low or high profile is available
- Black or blue colors (other colors are available upon request)
- Mate with 0.025 (0.635) square contact post on 0.100 centers
- Unique dual leaf contact gives balanced forces and low resistance
- Chamfered entry for mating alignment
- Fully stackable side to side or end to end without loss of positions
- Tin of three types of gold plating options
- Open top to accommodate mating with long contact post

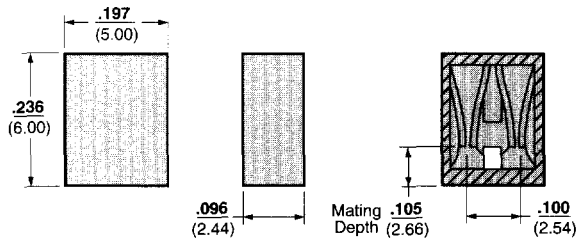
### DIMENSIONS — S100 SERIES

#### HIGH PROFILE, LOW INSERTION FORCE



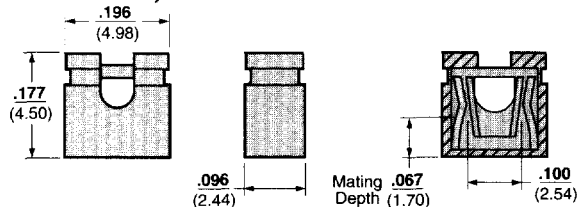
### S200 SERIES

#### HIGH PROFILE, HIGH INSERTION FORCE



### S300 SERIES

#### LOW PROFILE, LOW INSERTION FORCE



### PERFORMANCE SPECIFICATIONS

#### Materials and Finish

**Dielectric Body:** PBT thermoplastic, black color, 30% glass filled, self-extinguishing, 94V-0 rated

**Contact Material:** Phosfor Bronze

**Contact Finish:** Tin: 100 microinch tin over 70 microinch copper

Gold: (A) 10 microinch gold over 50 microinch nickel

(B) 15 microinch gold over 50 microinch nickel

(C) 30 microinch gold over 50 microinch nickel

#### Electrical Characteristics

**Contact Current Rating:** 2 amps

**Contact Resistance:** 10 milliohms maximum

**Dielectric Withstanding Voltage:** 630Vdc minimum

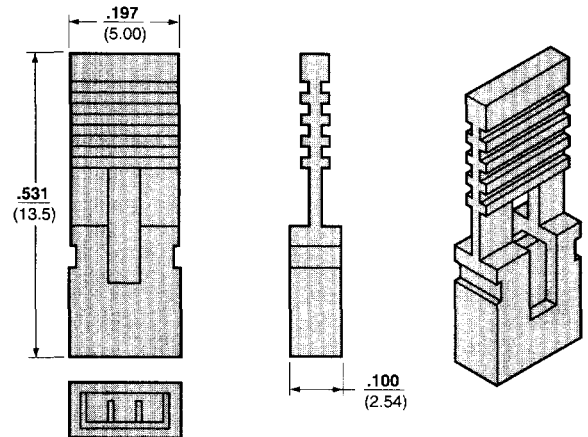
**Insulation Resistance:** 5,000 megohms minimum

**Temperature Rating:** -55° C to + 125° C

#### Mechanical Characteristics

Series	Nominal Contact Separation Force	Nominal Contact Engagement Force
S100	4 ounce	4 ounce
S200	5 ounce	7 ounce
S300	4 ounce	4 ounce

### S100 -T SERIES



### How To Order

**S100 0 - T - 2**

Series \_\_\_\_\_  
 S100  
 S200  
 S300

Color \_\_\_\_\_  
 0 - Black  
 6 - Blue

Tabs \_\_\_\_\_  
 Blank - Without tab  
 T - With tab

Code	Plating Options
1	100 microinch tin
2	10 microinch gold
3	15 microinch gold
4	30 microinch gold