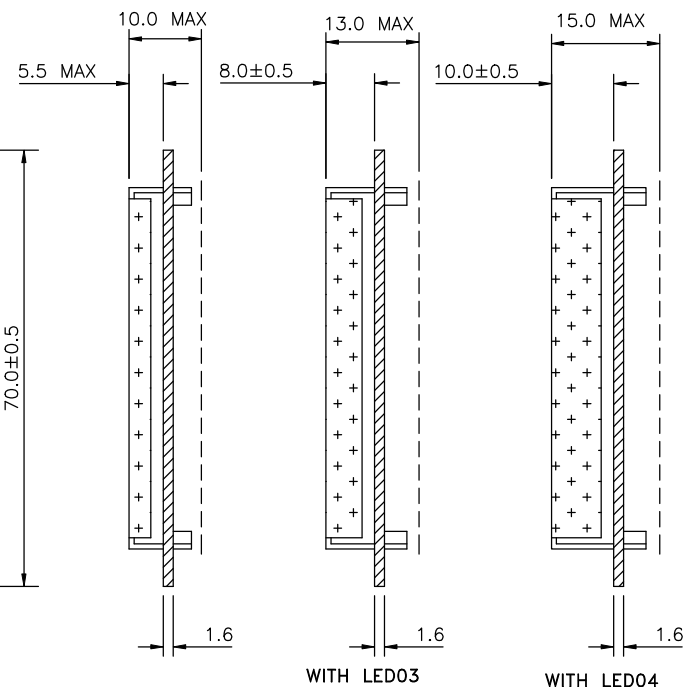
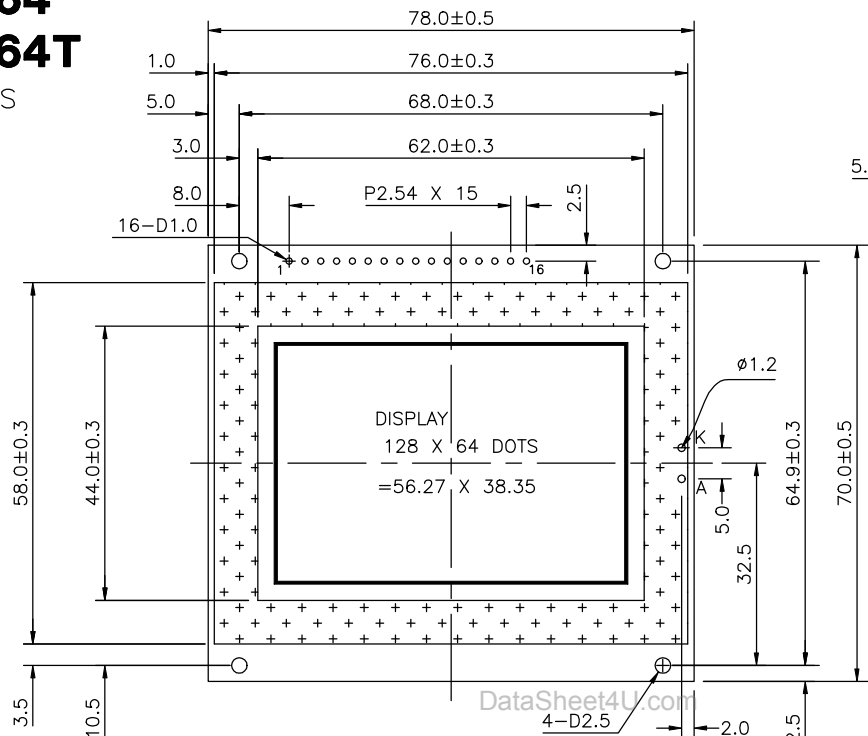
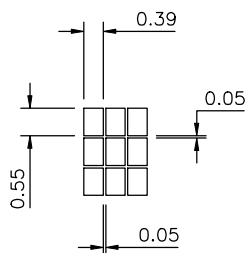


MGL(S)-12864 MGL(S)-12864T

128 X 64 DOTS



MGL(S)-12864

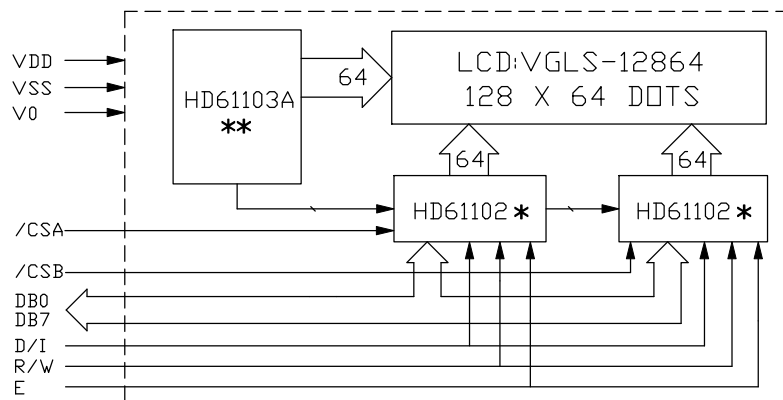
16 PIN CONNECTION	1	2	3	4	5	6	7	8	9	10	11	12	13	14	15	16
	/CSA	/CSB	VSS	VDD	V0	D/I	R/W	E	DB0	DB1	DB2	DB3	DB4	DB5	DB6	DB7

MGL(S)-12864T

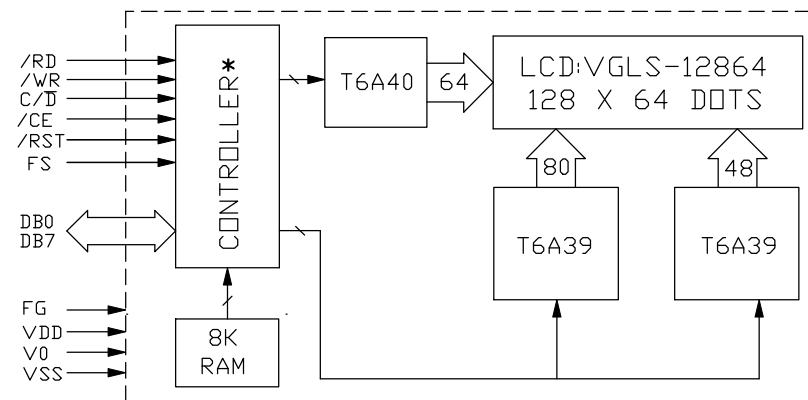
1	2	3	4	5	6	7	8	9	10	11	12	13	14	15	16	17	18
FG	VSS	VDD	V0	/WR	/RD	/CE	C/D	/RST	DB0	DB1	DB2	DB3	DB4	DB5	DB6	DB7	FS

MGLS-12864

MGLS-12864T



** OR EQUIVALENT



*T6963C OR EQUIVALENT