

“LAN-MATE” SERIES

SINGLE RJ45 CONNECTOR MODULE WITH INTEGRATED 10 BASE T MAGNETICS

P/N:LT1S103

Page : 1/2

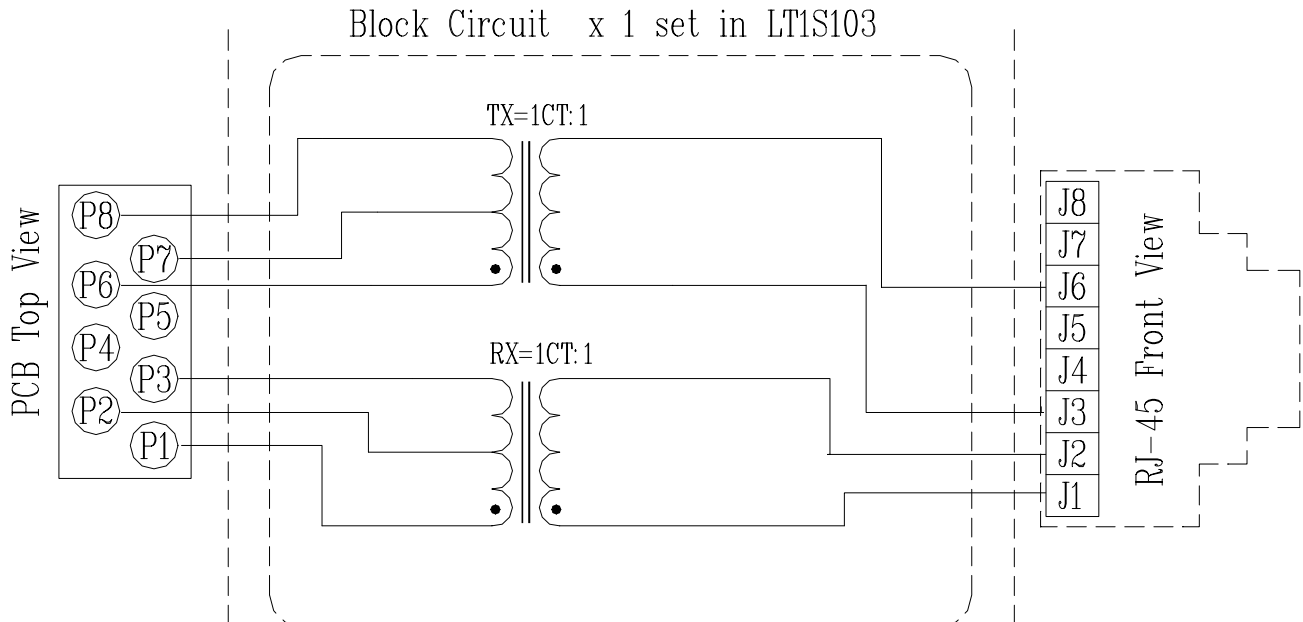
A. General Specifications:

1. RJ-45 connector integrated with X'FMER /Impedance resistor/High voltage capacitor.
2. Size same as RJ-45 connector to save PCB board space.
3. Reduce EMI radiation, Improve EMI performance.
4. Design for 10 BASE transmission over UTP-5 cable.
5. Operating temperature range: 0°C to +70°C.

B. Electrical Specifications@25°C:

1. Turns Ratio($\pm 5\%$):1CT:1
2. Sine Wave Inductance : 200 μ H Min.
3. Interwinding Capacitance CW/W : 10 pF Max.
4. Leakage Inductance : 0.2 μ H Max.
5. DCR : 0.3 Ω Max.
6. HI-POT : 2000Vrms.

C. Schematic:

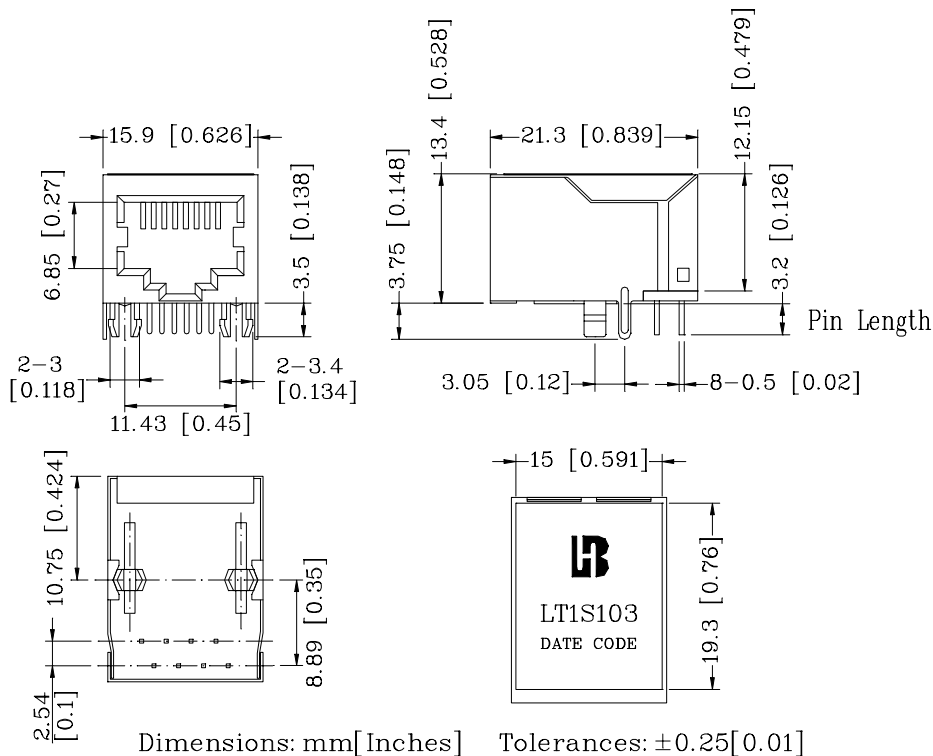


“LAN-MATE” SERIES

SINGLE RJ45 CONNECTOR MODULE WITH INTEGRATED 10 BASE T MAGNETICS

P/N:LT1S103

D. Mechanical:



1. Plastic Material : PBT 15% Glass Filled (UL 94V-0) , Black Housing
2. Metal Shield : Brass C2680-H, 20u Nickle Plated, $t=0.25$ mm
3. Spring Wire : 0.45mm Dia. Phosphor bronze with 6u gold plated .
4. Solder Pin : 0.4x0.4mm ,Phosphor bronze with Solder plated
5. Durability : 300 Mating cycles Min .

E. PCB Layout Mounting Hole (Top View)

