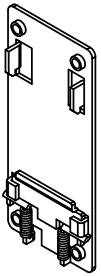


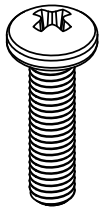
REV.	DESCRIPTION	DATE
A	NEW DRAWING	9/15/2008

①



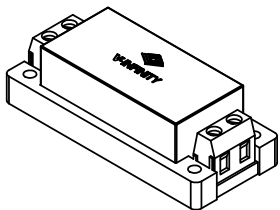
DIN RAIL BRACKET
QTY: 1

②

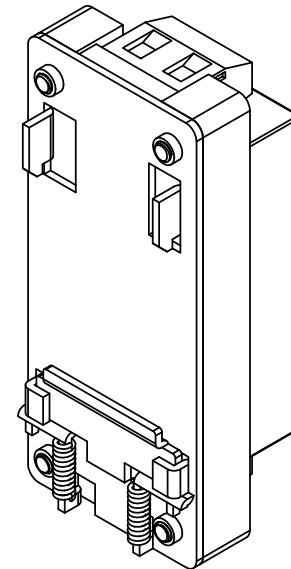
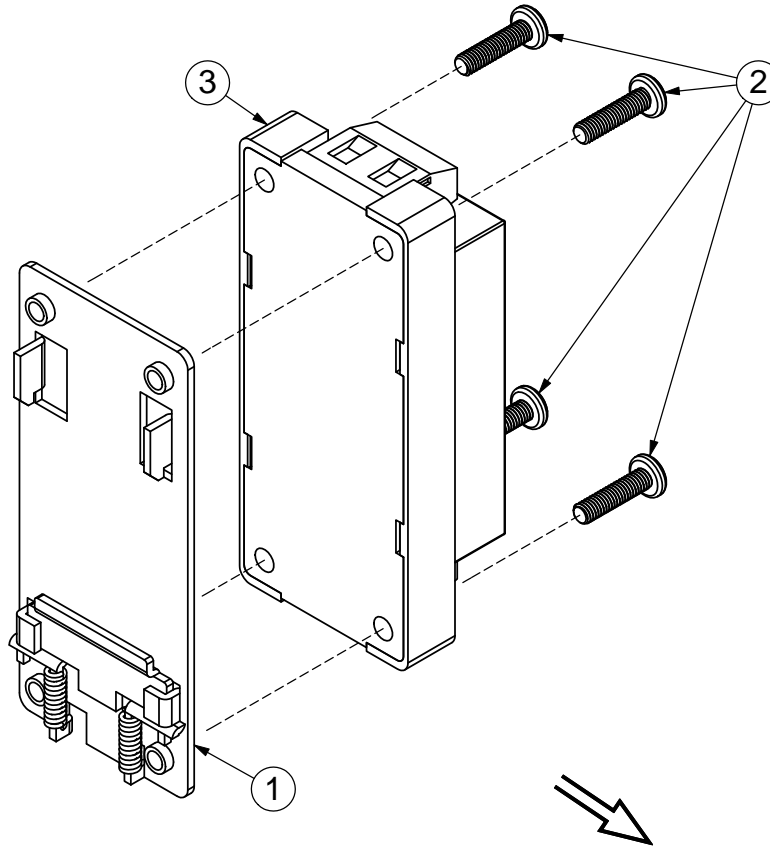


M3X0.5
12mm length
QTY: 4

③

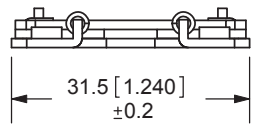
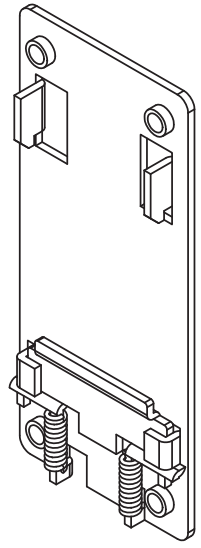
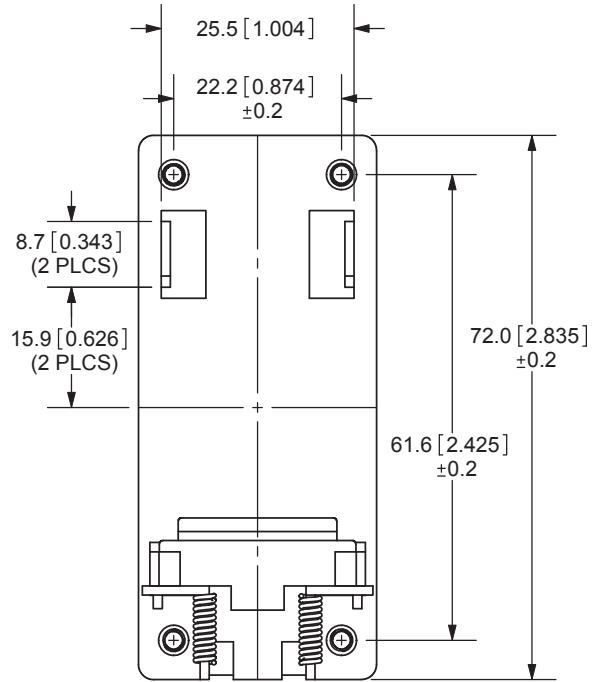
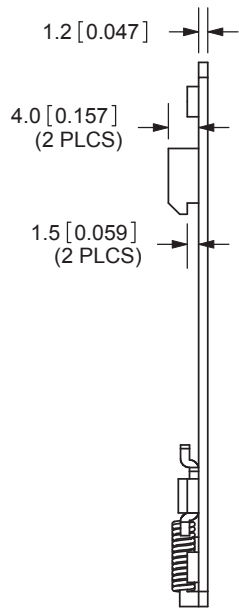


V-INFINITY
AC/DC CONVERTER
QTY: 1
(sold separately)



TITLE: DIN RAIL MOUNTING BRACKET ASSEMBLY INSTRUCTIONS		REV: A
PART NO. FSC-S5-DIN	UNITS: MM [INCHES]	
DRAWN BY: ZRJ	APPROVED BY:	SCALE: 1:1

REV.	DESCRIPTION	DATE
A	NEW DRAWING	9/15/2008



TOLERANCE:
±0.3mm UNLESS OTHERWISE
SPECIFIED



20050 SW 112th Ave.
Tualatin, OR 97062
Phone: 503-612-2300
800-275-4899
Fax: 503-612-2383
Website: www.cui.com

TITLE: DIN RAIL MOUNTING BRACKET ASSEMBLY INSTRUCTIONS		REV: A
PART NO: DIN RAIL BRACKET	UNITS: MM [INCHES]	
DRAWN BY: ZRJ	APPROVED BY:	SCALE: 1:1

PC FILE NAME: