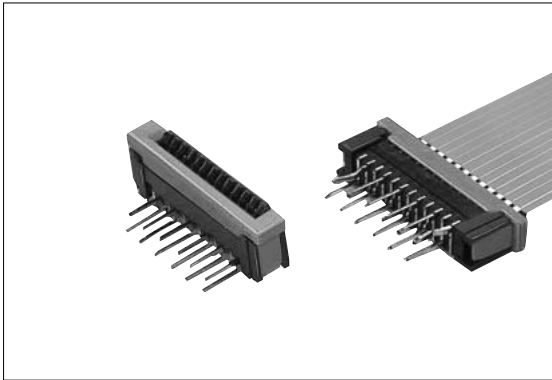


FP-10 Series 1.0mm Spacing (DIP)



Features

1. These connectors are available in two contact types: straight and right-angle type.
2. Of the ZIF structure.
3. A lead-free product.

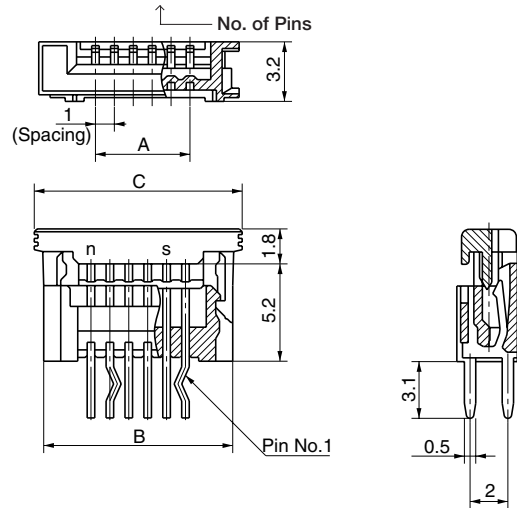
Specifications

1. Rating : 0.5A, 50V AC/DC
2. Contact Resistance : 30mΩ, max.
3. Insulation Resistance : 1000MΩ, min. at 500V DC
4. Withstanding Voltage : 500V AC for one minute
5. Operating Temperature Range : -25°C to +85°C

Material and Plating

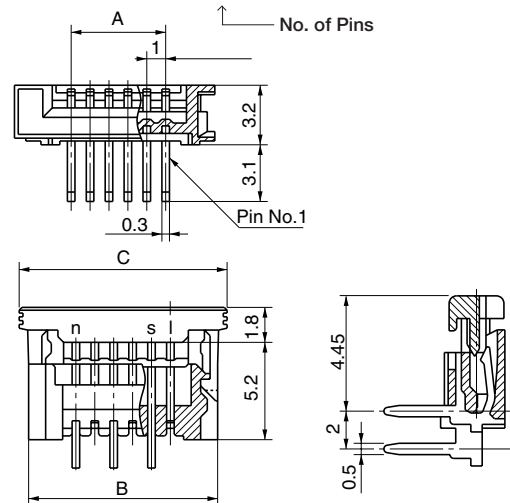
- Housing : Polyphenylene Sulfide (PPS), Natural Color, 94V-0
- Cover : Polyphenylene Sulfide (PPS), Natural Color, 94V-0
- Contact : Phosphor Bronze, Sn Plating

● Straight Type CFP01□□-01☒☒F



☒☒	With Kink
01	Yes
02	No

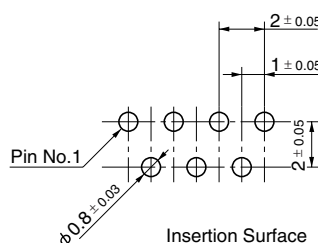
● Right-Angle Type CFP03□□-01☒☒F



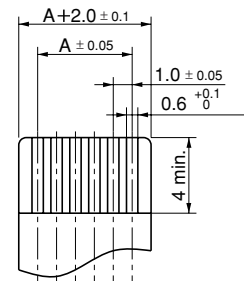
☒☒	With Kink
01	No
02	Yes

□□	No. of Pins	A	B	C	□□	No. of Pins	A	B	C
05	5	4.0	9.0	10.2	14	14	13.0	18.0	19.2
06	6	5.0	10.0	11.2	15	15	14.0	19.0	20.2
07	7	6.0	11.0	12.2	18	18	17.0	22.0	23.2
08	8	7.0	12.0	13.2	19	19	18.0	23.0	24.2
09	9	8.0	13.0	14.2	20	20	19.0	24.0	25.2
10	10	9.0	14.0	15.2	22	22	21.0	26.0	27.2
11	11	10.0	15.0	16.2	26	26	25.0	30.0	31.2
12	12	11.0	16.0	17.2					
13	13	12.0	17.0	18.2					

■ P.C. Board Dimension



■ Applicable FPC Dimension (t=0.3±0.05)



● FPC plating to recommend : Sn plating