



Receiver Module : RWS-371-6 (433.92 MHZ)

<p>*Frequency Range: 433.92 MHZ *Modulate Mode: ASK *Circuit Shape: LC *Data Rate: 4800 bps *Selectivity: -106 dB *Channel Spacing: 1MHZ *Supply Voltage: 5V * High Sensitivity Passive Design. *Simple To Apply with Low External Count.</p>	
---	--

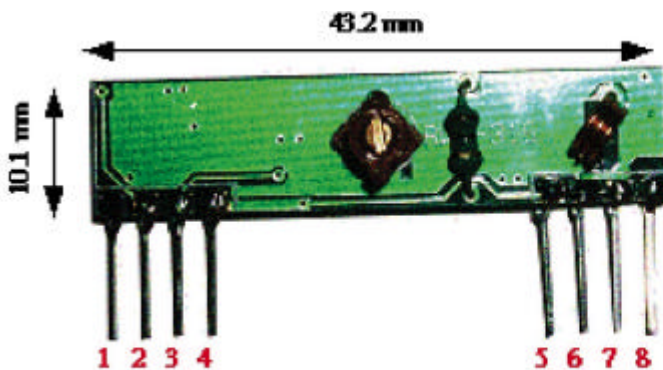
DC Characteristics :

Symbol	Parameter	Conditions	Min.	Typ.	Max.	Unit
Vcc	Operating Supply Voltage		4.9	5	5.1	
I Tot	Operating Supply Voltage			4.5		
V Data	Data Out	1 Data = +200 uA (High)	Vcc -0.5	Vcc		V
		1 Data = -10 uA (Low)			0.3	V

Electrical Characteristics :

Characteristics	Sym.	Min.	Typ.	Max.	Unit
Operating Radio Frequency	FC	433.72	433.92	434.12	MHZ
Sensitivity	Pref.			-106	dBm
Channel Width		-500		+ 500	KHZ
Noise Equivalent BW	NEB		5	4	KHZ
Baseboard Data Rate				3	KB/S
Receiver Turn On Time				3	ms

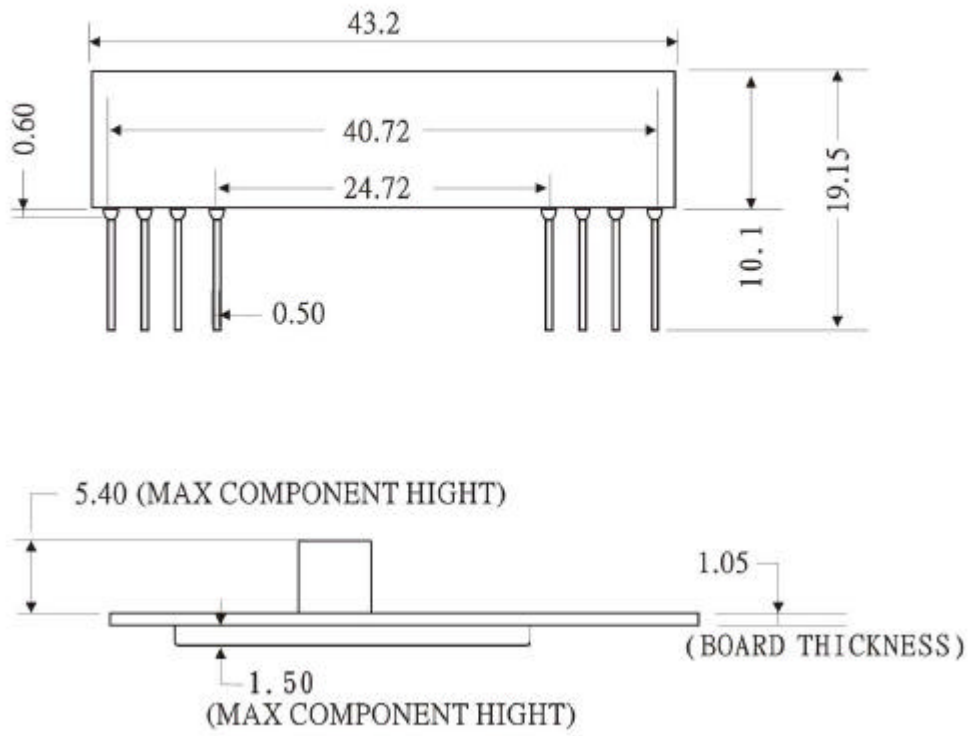
Application Note:



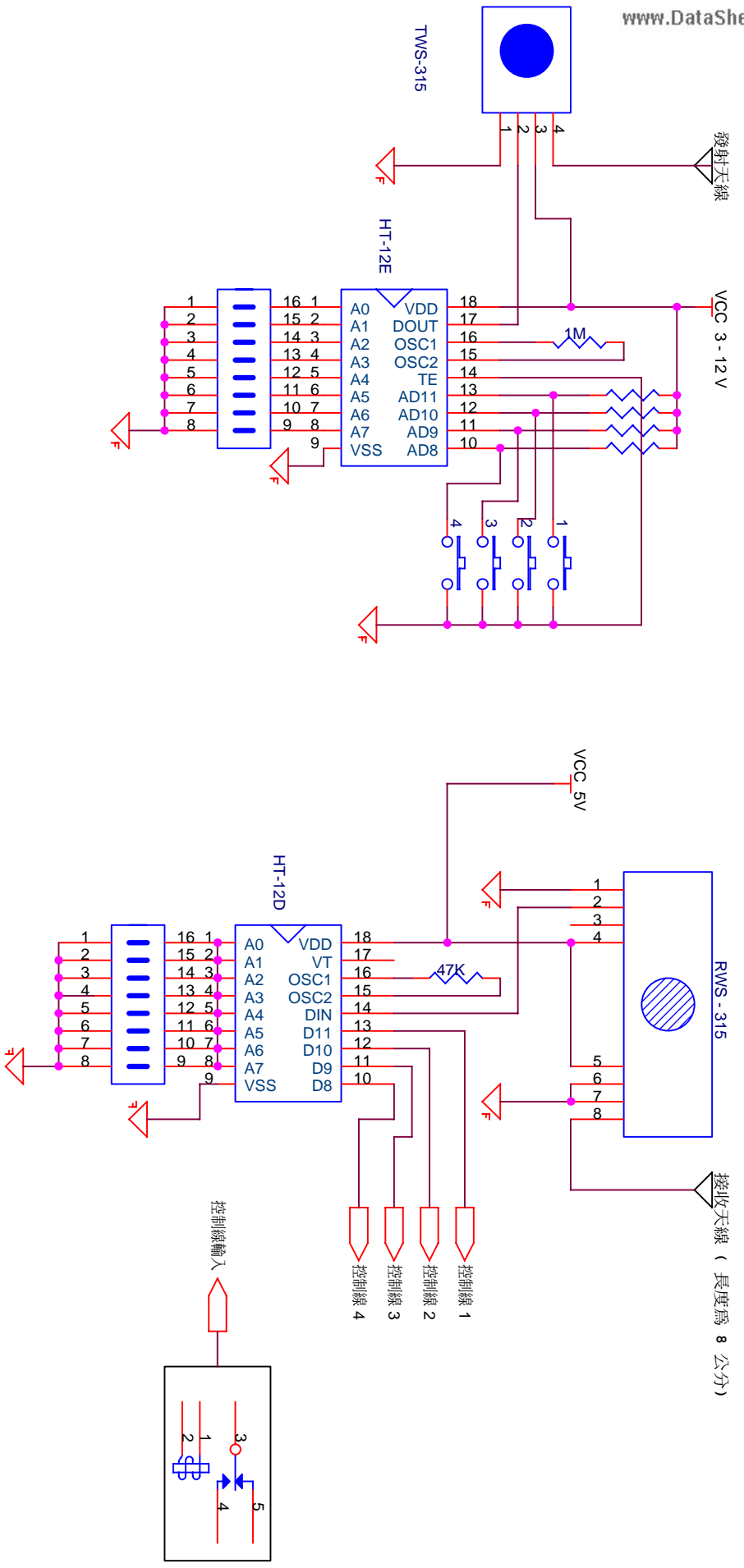
- pin 1 : Gnd
- pin 2 : Digitak Output
- pin 3 : Linear Output
- pin 4 : Vcc
- pin 5 : Vcc
- pin 6 : Gnd
- pin 7 : Gnd
- pin 8 :ANT (About 30 - 35 cm)

Moulation : AM
 Supply Voltage : 5v dc

RWS-371 UNIT:mm



示範電路圖



www.DataSheet4U.com

Title	<Title>
Size	Document Number
Rev	<Doc>
Date:	星期四, 八月 30, 2001
Sheet	1 of 1
Rev	<RevCode>