

Part/Keyword Search



Detailed Drawing



Printer Friendly
Datasheet

PN8330 / SPN8330*

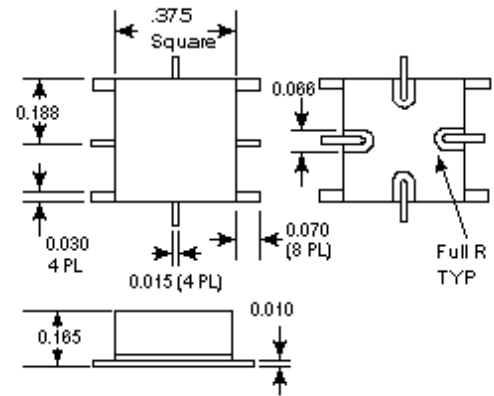
* Part number for additional environmental screening.

Performance Data

Frequency	0.0 - 1000.0 MHz
Gain	6.2 dB Typical 5.0 dB Min
Noise Figure	9.5 dB Typical 11.0 dB Max
P _{1dB}	14.0 dBm Typical 10.0 dBm Min
3 rd Order Intercept	25.0 dBm Typical
2 nd Order Intercept	31.0 dBm Typical
VSWR	2.5/3.0 Input Typ/Max 2.5/3.0 Output Typ/Max
Reverse Isolation	-14.0 dB Typical -12.0 dB Min
Power Supply	4.5 Volts 60.0 mA
Operating Temperature	-55.0 - 125.0 °C

Package Drawing

SM-11 (Surface Mount)



Gain

dB



Frequency (MHz)

Noise Figure

dB



Frequency (MHz)

P_{1dB} Compression Point

dBm



Frequency (MHz)

Reverse Isolation

dB



Products

Amplifiers

VCOs

Limiting
Amplifiers

Switches

Linearizers

Limiters

Analog
Attenuators

Digital
Attenuators

Detectors

Frequency (MHz)

Input VSWR



Frequency (MHz)

Output VSWR



Frequency (MHz)

Absolute Maximum Conditions

Maximum Operating Temperature	-55.0 - 125.0 °C	Maximum Storage Temperature	-62.0 - 125.0 °C
Maximum Case Temperature	125.0 °C	Maximum Supply Current	100.0 mA
Continuous RF Input Power	18.0 dBm	Short Term RF Input Power (1 minute max)	100.0 mW
Maximum Peak Power (3 µsec max)	0.5 W		

Amplifonix | 2707 Black Lake Place | Philadelphia, PA 19154
Tel: 215.464.4000 | FAX: 215.464.4001 | Email: info@amplifonix.com

i2 Technologies US, Inc.

HTML Pages converted to PDF Document

This document contain component information from the manufacturer's website which are not available in a revision controlled document from the manufacturer. To facilitate the addition of these parts into the Electronics Database, we are converting the HTML pages related to that part, from the manufacturer's website into Adobe PDF format. The contents of this document is based on the information provided on the manufacturer's website, therefore the information may have been changed by the manufacturer since this was created.

