

# Customer Information Sheet

DRAWING No.: P13-XX23

SHEET 2 OF 2

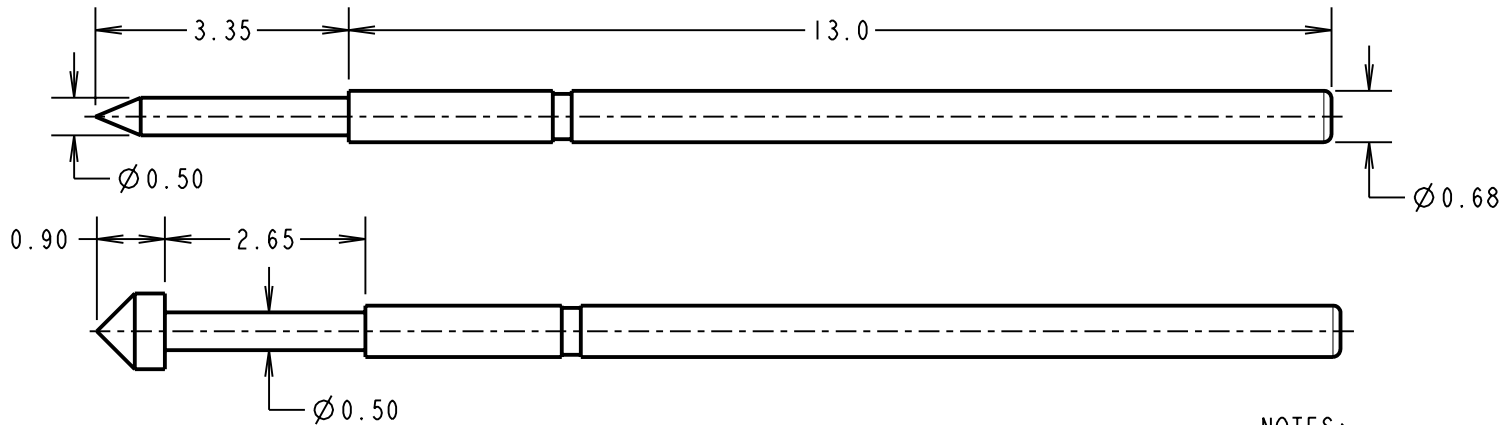
IF IN DOUBT - ASK

©

NOT TO SCALE

THIRD ANGLE PROJECTION

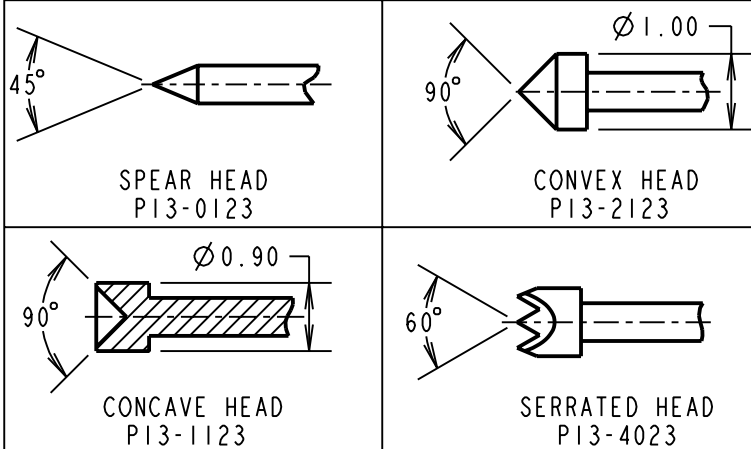
ALL DIMENSIONS IN mm



ORDER CODE:  
**P13-XX23**  
PROBE HEAD  
VARIANT (SEE BELOW)

- NOTES:  
1. TO BE USED WITH SLEEVE S13-503.  
2. SUITABLE FOR A MINIMUM DISTANCE BETWEEN CENTRES OF 1.27mm.

## PROBE HEAD VARIANTS



## SPECIFICATIONS:

MATERIAL:  
PLUNGER = BERYLLIUM COPPER  
BARREL = PHOSPHOR BRONZE  
SPRING = MUSIC WIRE  
FINISH:  
PLUNGER, BARREL AND SPRING = GOLD  
ELECTRICAL:  
CURRENT RATING = 3A  
CONTACT RESISTANCE = 30 MILLIOHMS  
MECHANICAL:  
DURABILITY = 1,000,000 CYCLES  
FULL TRAVEL = 2.65mm  
SPRING FORCES:  
AT FULL TRAVEL = 1.18N ± 0.24N (120G ± 20%)  
AT 2/3 TRAVEL = 0.88N ± 0.18N (90g ± 20%)

RA	4	14.12.09	10608
NAME	ISS.	DATE	C/NOTE
APPROVED:		R. ADDE	
CHECKED:		M.G. PLESTED	
DRAWN:		W.J. BOURNE	
CUSTOMER REF.:			
ASSEMBLY DRG:			

# HARWIN

HARWIN USA TEL: 603 893 5376 FAX: 603 893 5396 mis@harwin.com	HARWIN Europe (UK) TEL: 023 9231 4545 FAX: 023 9231 4590 mis@harwin.co.uk	HARWIN Asia TEL: +65 6 779 4909 FAX: +65 6 779 3868 mis@harwin.com.sg
--	--	--

THIS DRAWING AND ANY INFORMATION OR DESCRIPTIVE MATTER SET OUT HEREON ARE CONFIDENTIAL AND COPYRIGHT PROPERTY OF THE HARWIN GROUP AND MUST NOT BE DISCLOSED, LOANED, COPIED OR USED FOR MANUFACTURING, TENDERING OR FOR ANY OTHER PURPOSE WITHOUT THEIR WRITTEN PERMISSION.

TOLERANCES  
X. = ±1mm  
X.X = ±0.25mm  
X.XX = ±0.10mm  
X.XXX = ±0.01mm  
ANGLES = ±5°  
UNLESS STATED

MATERIAL:  
SEE ABOVE  
FINISH:  
SEE ABOVE  
S/AREA:  
mm<sup>2</sup>

TITLE:  
1.27mm MIN. CENTRE  
TWO-PIECE SPRING PROBE  
DRAWING NUMBER:  
**P13-XX23**  
SHT  
2 OF 2