

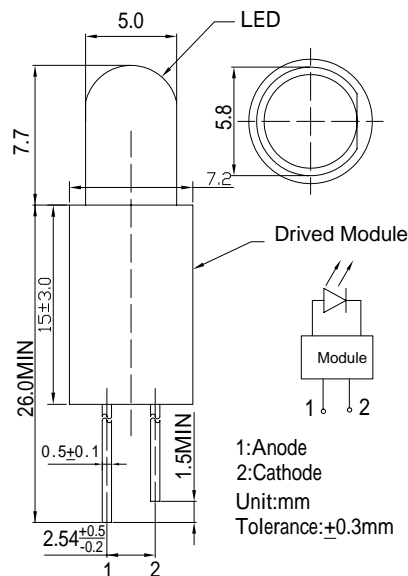
Features

- High Luminous LEDs
- 5mm Round Standard Directivity
- Superior Weather-resistance
- UV Resistant Epoxy
- Used 0.8~1.6V DC Drive (Such 1 piece AA or AAA Size Battery)
- Cost Effective (Saves Space and battery Cost)
- Water Clear Type

Applications

- Flashlight
- Other Lighting

Outline Dimension

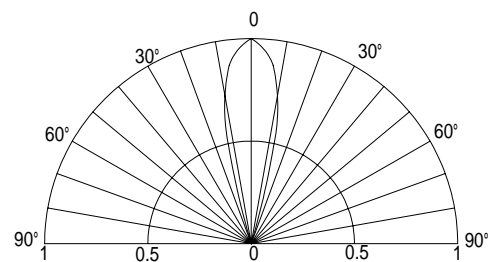


Absolute Maximum Rating

($T_a=25$)

| Item | Symbol | Value | Unit |
|----------------------------|--------|-----------|------|
| DC Forward Voltage | V_F | 1.5 | V |
| Oscillator Frequency* | Fled | 1.8 | Hz |
| Duty Cycle | Duty | 1/2 | - |
| Operating Temperature | Topr | -30 ~ +85 | |
| Storage Temperature | Tstg | -30~ +85 | |
| Lead Soldering Temperature | Tsol | 260 /5sec | - |

Directivity



Electrical -Optical Characteristics

($T_a=25$)

| Part Number | Color | | I_F (mA) | | I_v (mcd)* | | | λD (nm)* | | | $2\theta_{1/2}$ (deg) |
|----------------|------------|---|------------|----------|--------------|------|------|-------------------|------|------|-----------------------|
| | | | Input | In LED | Min. | Typ. | Max. | Min. | Typ. | Max. | Typ. |
| | | | $V_F=1.2V$ | | $V_F=1.2V$ | | | | | | |
| OSW5DS5A31A-1V | Cool White | W | 20 ± 5 | 7 ± 2 | 2180 | 3000 | - | X=0.27, Y=0.28 | | | 30 |
| OSM5DS5A31A-1V | Warm White | M | 20 ± 5 | 7 ± 2 | 1800 | 2500 | - | X=0.45, Y=0.41 | | | |
| OSB5SS5A31A-1V | Blue | B | 20 ± 5 | 7 ± 2 | 1120 | 1560 | - | 465 | 470 | 475 | |
| OSG5DS5A31A-1V | Pure Green | G | 20 ± 5 | 7 ± 2 | 2180 | 3000 | - | 520 | 525 | 530 | |
| OSY5MS5A31A-1V | Yellow | Y | 20 ± 5 | 7 ± 2 | 2180 | 2800 | - | 585 | 590 | 595 | |
| OSO5MS5A31A-1V | Orange | O | 20 ± 5 | 7 ± 2 | 2180 | 2800 | - | 600 | 605 | 610 | |
| OSR5MS5A31A-1V | Red | R | 20 ± 5 | 7 ± 2 | 2180 | 2800 | - | 620 | 625 | 630 | |

*1 Tolerance of chromaticity coordinates is $\pm 10\%$

*2 Tolerance of luminous intensity is $\pm 15\%$

*3 Tolerance of Frequency is $\pm 20\%$