

Surface Mount Toroidal Inductor

Electrical Specifications at 25°C

Parameter	Min.	Typ.	Max.	Units
Inductance (No DC)	4.5	6.0	12	μH
Maximum Current			6	A
DCR			25	mΩ

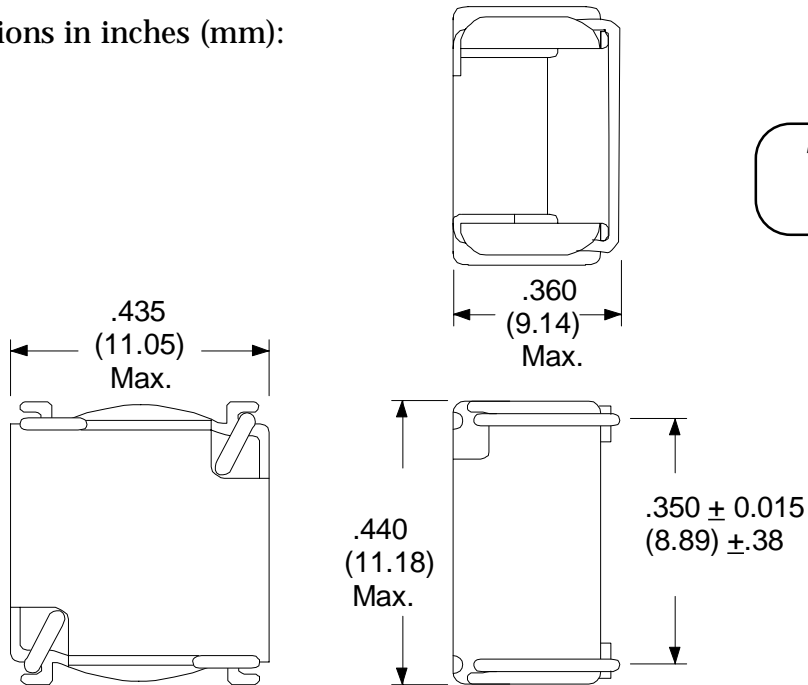
Designed for filter applications
with low ET values

Toroid mount meets UL94VO

Designed for IR and
Vapor Phase Reflow Systems

Built using MPP material.

Dimensions in inches (mm):



*Tape & Reel
Available*

RHOMBUS P/N: L-15017B

CUST P/N:

NAME:

DATE: 9/18/01

SHEET: 1 OF 1