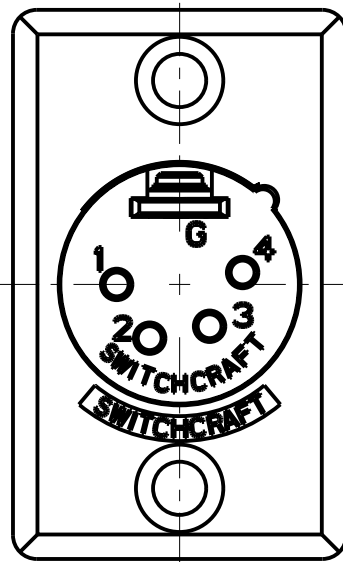
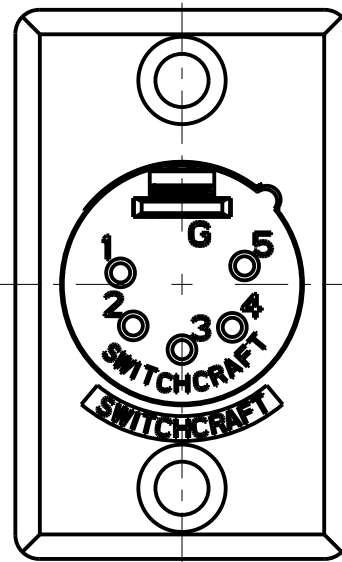


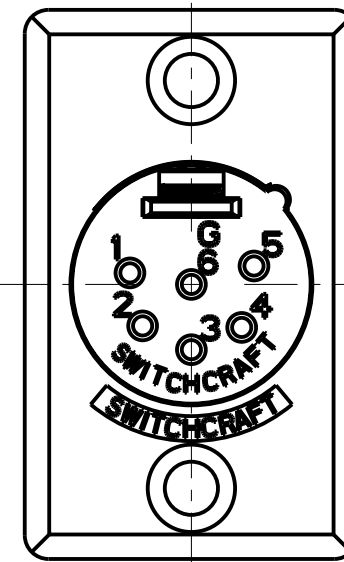
3 PIN



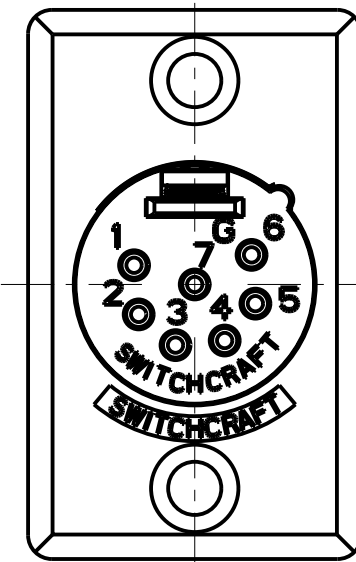
4 PIN



5 PIN



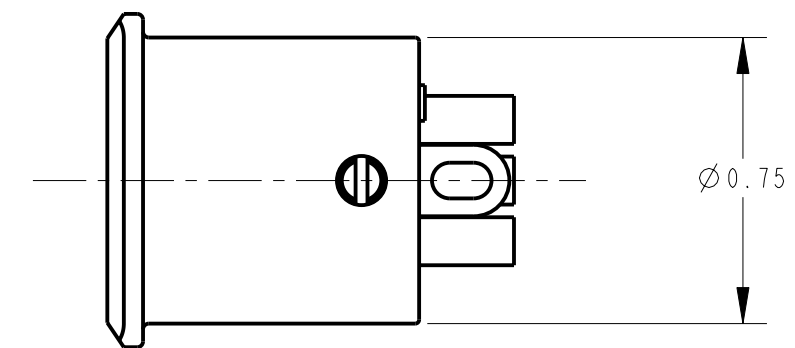
6 PIN



7 PIN

NOTES:

1. ALL DIMENSIONS REF. UNLESS OTHERWISE SPECIFIED.



**STANDARD SERIES**

SCREW - STAINLESS STEEL  
 HOUSING - ZINC, NICKEL PLATED  
 SOLDER TERMINAL - BRASS, ELECTRO TIN PLATED  
 INSULATOR - POLYESTER, GREEN (UL94V-0)  
 CONTACT PIN - BRASS, SILVER PLATED

CONTACT PLATING  
 BLANK = SILVER (STANDARD)  
 AU = GOLD

HOUSING FINISH  
 BLANK = NICKEL PLATE (STANDARD)  
 B = BLACK  
 S = SANDED

NO. OF CONTACTS:  
 3 = 3 CONTACTS  
 4 = 4 CONTACTS  
 5 = 5 CONTACTS  
 6 = 6 CONTACTS  
 7 = 7 CONTACTS

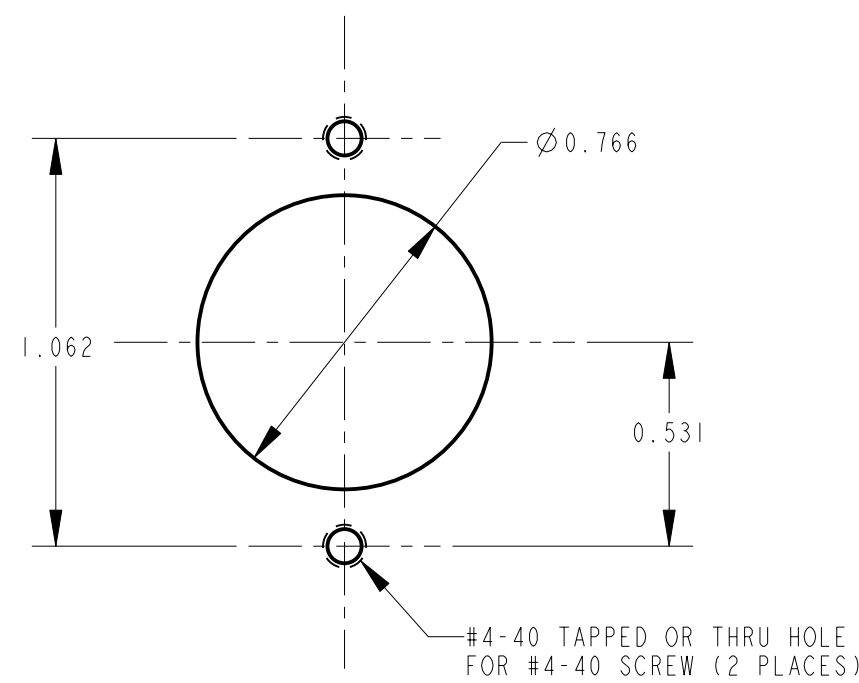
---

**PROFESSIONAL SERIES**

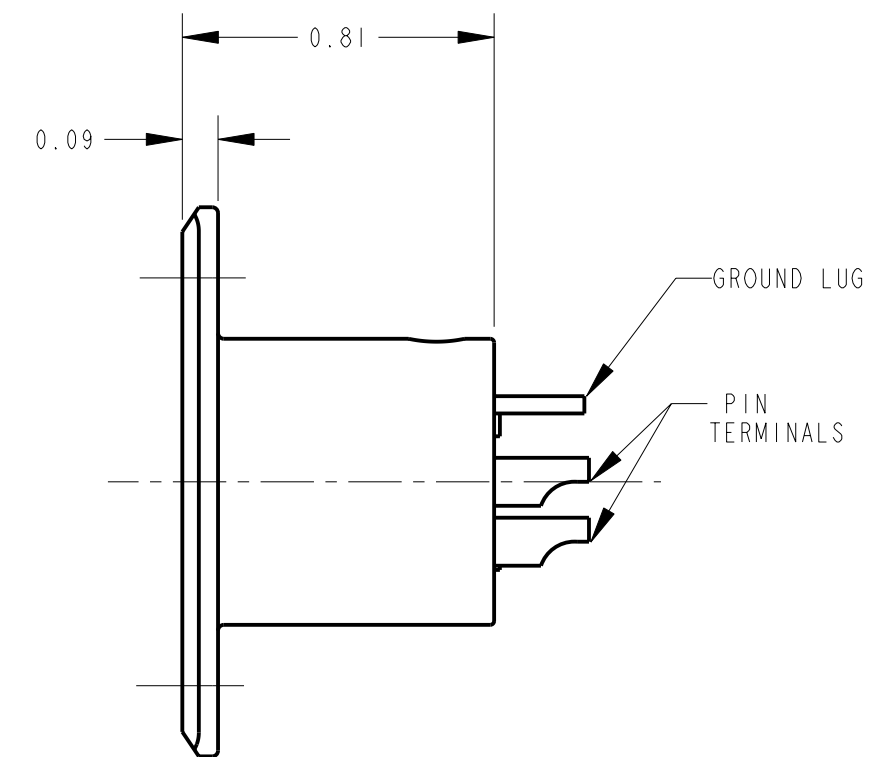
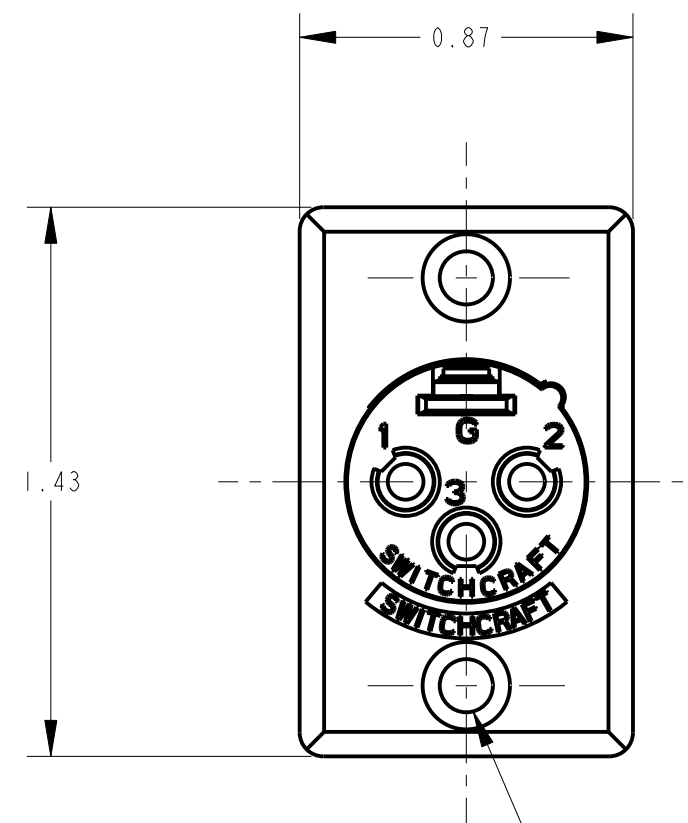
SAME AS ABOVE EXCEPT  
 CONTACT PIN - PHOSPHOR BRONZE, GOLD OVER NICKEL

QGP - 63

NO. OF CONTACTS:  
 3 = 3 CONTACTS  
 4 = 4 CONTACTS  
 5 = 5 CONTACTS  
 6 = 6 CONTACTS  
 7 = 7 CONTACTS



RECOMMENDED  
 PANEL CUT-OUT



CUSTOMER DRAWING

G	20745	2-22-96	SG	SG	★ STAR SYMBOL DENOTES CRITICAL DIMENSION	THIS DRAWING DESCRIBES A DESIGN CONSIDERED PROPRIETARY IN NATURE, DEVELOPED AND MANUFACTURED BY SWITCHCRAFT INC. AND IS RELEASED ON A CONFIDENTIAL BASIS FOR IDENTIFICATION PURPOSES ONLY.	SIZE	WIDTH	MULT	LBS/M	TEMPER
F	20627	1-31-96	SG	SG			UNLESS OTHERWISE SPECIFIED	FINISH	SCALE		MATERIAL
E	20543	1-5-96	SG	RB	1. ALL DIMENSIONS IN INCHES - TWO PLACE DECIMALS ±0.01 - THREE PLACE DECIMALS ±0.005 - ANGLES ±1° - ALL DIA. CONCENTRIC WITHIN 0.005 T.I.R.	SPEC No.	2:1		SPEC No.		
K	22838	10-1-99	JL	DG	2. FEATURES ON THE SAME CENTERLINE MUST BE ALIGNED WITHIN ±0.002	FIRST USED ON		DATE DRAWN		BY	
J	21070	1-15-97	SG	KS	3. REMOVE ALL BURRS	00-000-98		SG		8-15-94	
H	21035	1-15-97	SG	KS	DO NOT SCALE DRAWING	NAME		D SERIES MALE QG		REV	
REVISIONS						D SERIES MALE QG		D_M SERIES		K	