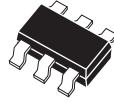




### CMXTC935A

**SURFACE MOUNT  
SUPERmini™  
TEMPERATURE COMPENSATED  
SILICON ZENER DIODE**

**SUPERmini™**



**SOT-26 CASE**

# Central™

## Semiconductor Corp.

### DESCRIPTION:

The CENTRAL SEMICONDUCTOR CMXTC935A is a 9.0 volt, temperature compensated Zener reference diode. This device is ideal for applications requiring long term voltage stability over the specified temperature range.

**For proper device operation, external connections must be made on the PCB. See the required mounting pad drawing on the following page.**

**MARKING CODE: C935**

### MAXIMUM RATINGS: (T<sub>A</sub>=25°C)

Power Dissipation  
Operating and Storage Junction Temperature  
Zener Voltage Tolerance

### SYMBOL

P<sub>D</sub> 350  
T<sub>J</sub>, T<sub>stg</sub> -65 to +150  
±5

### UNITS

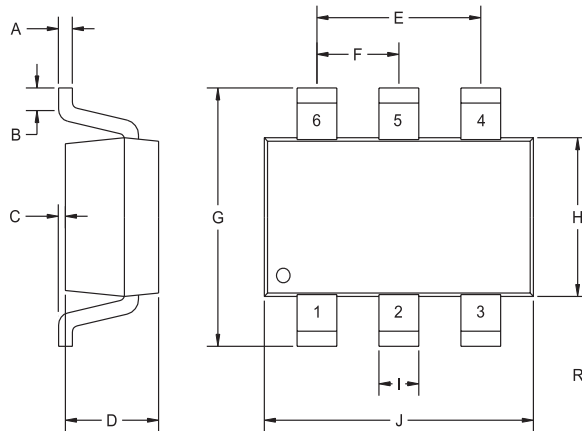
mW  
°C  
%

### ELECTRICAL CHARACTERISTICS: (T<sub>A</sub>=25°C unless otherwise noted)

SYMBOL	TEST CONDITIONS	MIN	NOM	MAX	UNITS
V <sub>Z</sub>	I <sub>Z</sub> = 7.5mA	8.55	9.0	9.45	V
Z <sub>Z</sub>	I <sub>Z</sub> = 7.5mA			30	Ω
*ΔV <sub>Z</sub>	I <sub>Z</sub> = 7.5mA			95	mV

\* The Maximum allowable voltage change observed at the specified temperatures of -55°C, 0°C, 25°C, 75°C, and 100°C

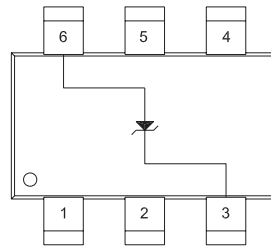
**SOT-26 CASE - MECHANICAL OUTLINE**



SYMBOL	DIMENSIONS			
	INCHES		MILLIMETERS	
	MIN	MAX	MIN	MAX
A	0.004	0.007	0.11	0.19
B	0.016	-	0.40	-
C	-	0.004	-	0.10
D	0.039	0.047	1.00	1.20
E	0.074	0.075	1.88	1.92
F	0.037	0.038	0.93	0.97
G	0.102	0.118	2.60	3.00
H	0.059	0.067	1.50	1.70
I	-	0.016	-	0.41
J	0.110	0.118	2.80	3.00

SOT-26 (REV: R2)

**PIN CONFIGURATION**

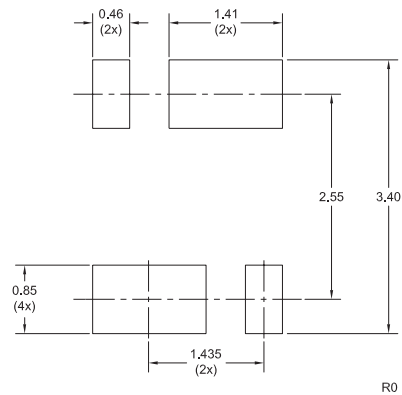


**LEAD CODE:**

- 1) CONNECT TO PIN 2
- 2) CONNECT TO PIN 1
- 3) CATHODE
- 4) CONNECT TO PIN 5
- 5) CONNECT TO PIN 4
- 6) ANODE

**MARKING CODE: C935**

**REQUIRED MOUNTING PADS  
(Dimensions in mm)**



R0 (3-December 2007)