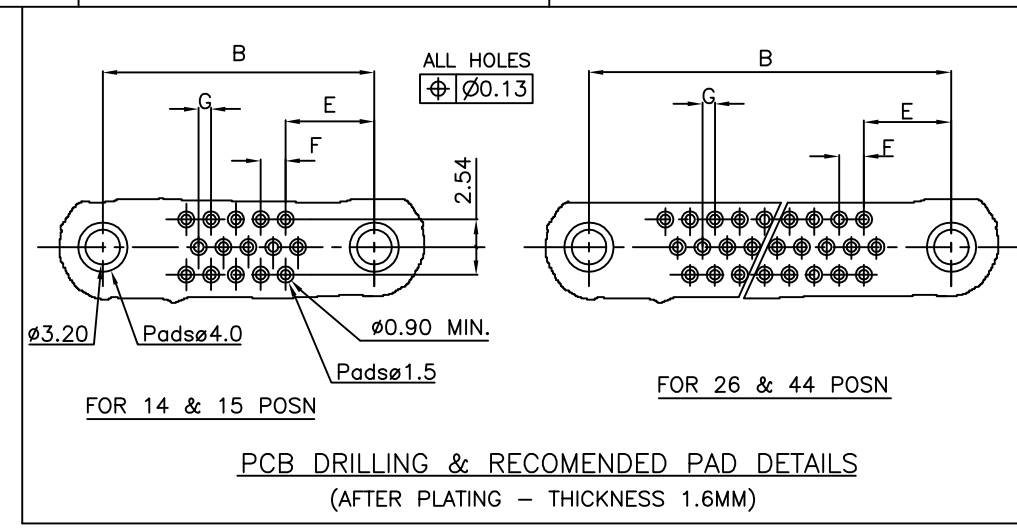
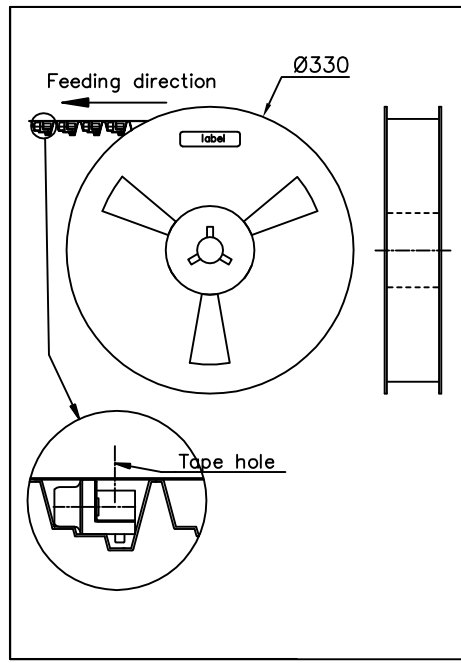
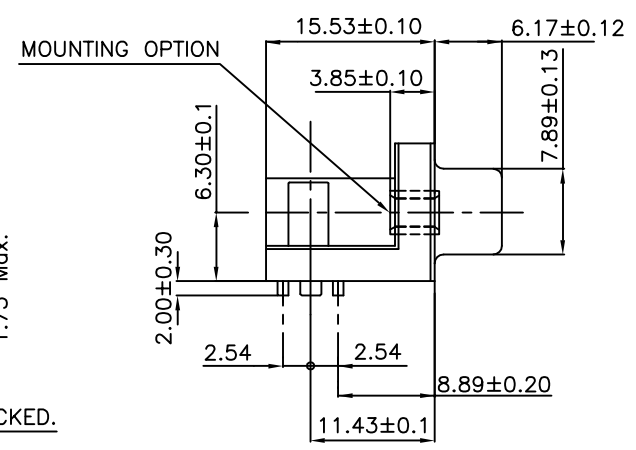
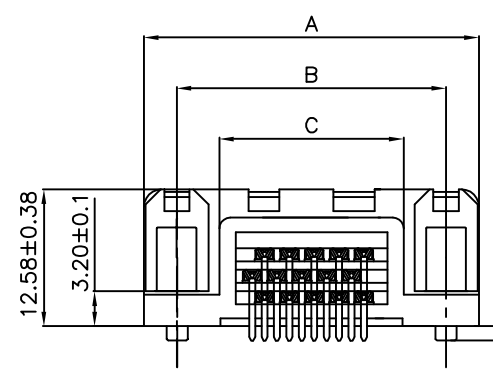
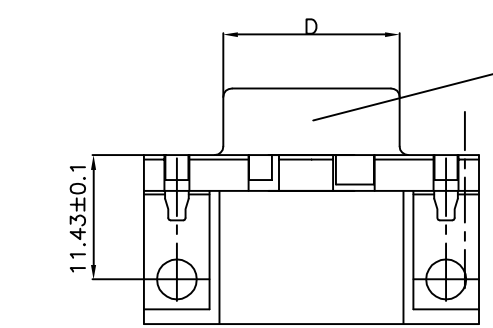


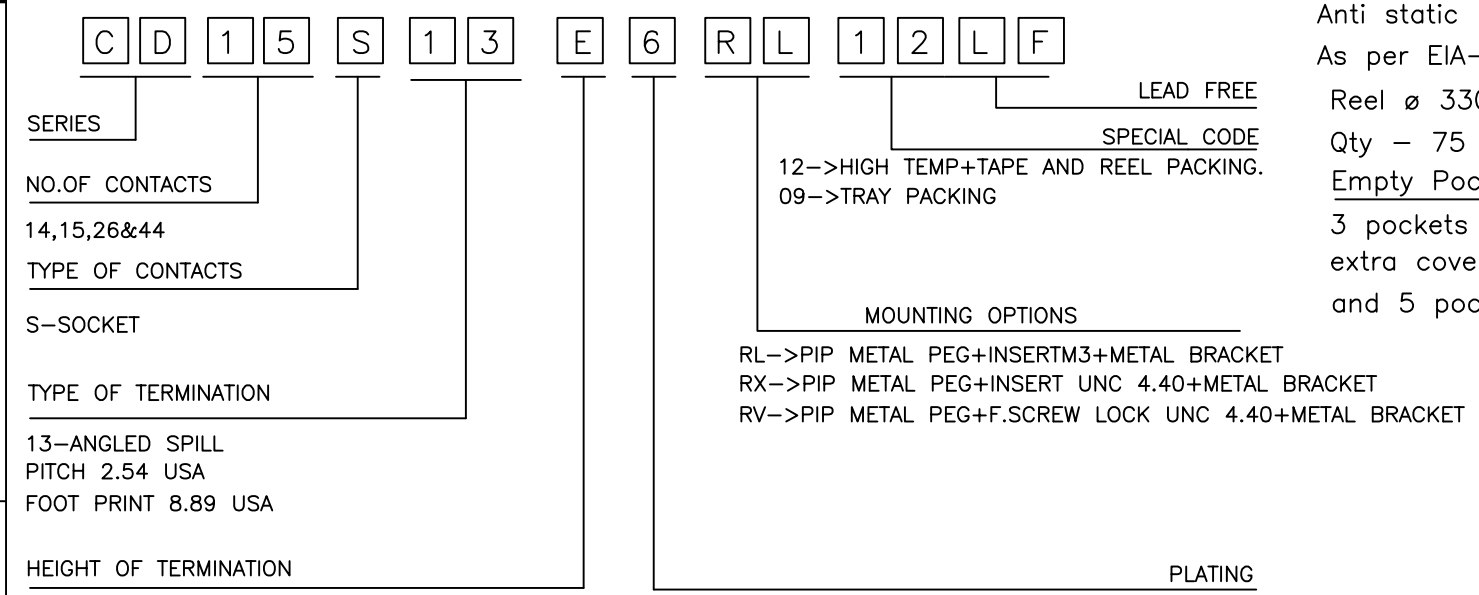
SIZE	DIMENSIONS						
	A±0.38	B±0.12	C±0.10	D $\begin{smallmatrix} +0.25 \\ -0 \end{smallmatrix}$	E	F	G
14/15	30.81	24.99	16.96	16.21	8.19	2.28	1.14
26	39.14	33.32	25.18	24.54	8.01	2.285	1.14
44	53.03	47.04	39.12	38.25	8.02	2.285	1.14



TECHNICAL SPECIFICATIONS

MATERIAL	
SHELL	: STEEL Ni PLATED.
INSULATORS	: SELF EXTINGUISHING THERMOPLASTIC, UL CLASS94V0
CONTACTS	: COPPER ALLOY
PLATING	
ACTIVE ZONE	: GOLD OVER NICKEL
TERMINATION ZONE	: Sn over Ni
FOR LEAD FREE TERMINATION	: 2 µ MIN.MATTE TIN TOP OVER 1.27 µ MIN.NICKEL UNDER PLATE
METAL BRACKET	: BRASS, Ni PLATED.
SCREW LOCK	: BRASS, Ni PLATED.
PIP METAL PEG	: BRASS, Ni PLATED.
CLINCH NUT	: BRASS, Ni PLATED.
ELECTRICAL DATA	
MAX.CURRENT RATING	: 3A
TEST VOLTAGE	: 1000V
RATED VOLTAGE	: 300V
CONTACT RESISTANCE	: <25mΩ
SHELL RESISTANCE	: <5mΩ
INSULATION RESISTANCE	: >5000MΩ
ENVIRONMENTAL CHARACTERISTICS.	
OPERATING TEMPERATURE RANGE	: -55°C +125°C
MECHANICAL CHARACTERISTICS	
MATING/UNMATING CYCLES (Min.)	: 6: 500 mating/unmating 4: 200 mating/unmating
INSERTION/EXTRACTION FORCE PER CONTACTS:	3.3 N Max./0.3 N Min.
CONTACTS TRUE POSITION	: $\text{Ø}0.36$

ORDERING INFORMATION



Packaging Details

Tape according to EIA-481-B
 Anti static Property-
 As per EIA-541
 Reel ø 330mm
 Qty - 75 nos/ reel
 Empty Pockets
 3 pockets min.and 300mm
 extra cover tape at begining
 and 5 pockets min. at the end.

mat'l. code		surface	tolerance	projection	product family
		ISO 1302	ISO 406 ISO 1101		COMPACT D
ltr		tolerances unless otherwise specified			title
A	107-0166	AS	2007-12-4	MM	C-D A/S FEMALE PIP CONNECTOR
B	109-0130	AS	2009-7-8		
C	109-0202	NG	2009-9-24		
		dr	ANISH.SALAM	2007-12-04	FCI sheet 1 of 1 C-CD-0022 size A3
		enr	NIRMAL.GEORGE	2009-09-24	
		chr	NIRMAL.GEORGE	2009-09-24	
		appd	SUDHIR.VARMA	2009-09-24	
sheet index	revision sheet	A	B	C	type Product Customer Drawing
		1	1	1	

Copyright FCI
 FCconnect.com