

Silicon PNP Power Transistors

2SA658

DESCRIPTION

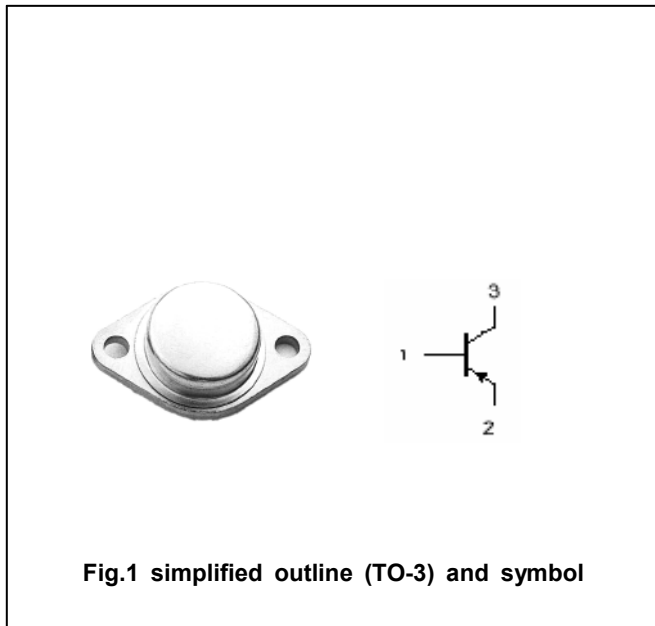
- With TO-3 package
- Wide area of safe operation
- Complement to type 2SC521

APPLICATIONS

- For audio frequency and power amplifier applications

PINNING(see Fig.2)

PIN	DESCRIPTION
1	Base
2	Emitter
3	Collector



Absolute maximum ratings(Ta=□)

SYMBOL	PARAMETER	CONDITIONS	VALUE	UNIT
V _{CBO}	Collector-base voltage	Open emitter	-70	V
V _{CEO}	Collector-emitter voltage	Open base	-70	V
V _{EBO}	Emitter-base voltage	Open collector	-5	V
I _C	Collector current		-7	A
P _C	Collector power dissipation	T _C =25□	50	W
T _j	Junction temperature		150	□
T _{stg}	Storage temperature		-55~150	□

Silicon PNP Power Transistors

2SA658

CHARACTERISTICS

T_j=25 °C unless otherwise specified

SYMBOL	PARAMETER	CONDITIONS	MIN	TYP.	MAX	UNIT
V _{(BR)CEO}	Collector-emitter breakdown voltage	I _C =-25mA ; I _B =0	-70			V
V _{(BR)CBO}	Collector-base breakdown voltage	I _C =-1mA ; I _E =0	-70			V
V _{(BR)EBO}	Emitter-base breakdown voltage	I _E =-1mA ; I _C =0	-5			V
V _{CEsat}	Collector-emitter saturation voltage	I _C =-5A; I _B =-1A			-2.0	V
V _{BEsat}	Base-emitter saturation voltage	I _C =-5A; I _B =-1A			-2.5	V
I _{CBO}	Collector cut-off current	V _{CB} =-70V; I _E =0			-0.1	mA
I _{EBO}	Emitter cut-off current	V _{EB} =-5V; I _C =0			-0.1	mA
h _{FE}	DC current gain	I _C =-1A ; V _{CE} =-5V	30		300	
C _{OB}	Collector output capacitance	I _E =0; V _{CB} =-10V; f=1MHz		150		pF
f _T	Transition frequency	I _C =-1A ; V _{CE} =-10V		5		MHz

Silicon PNP Power Transistors

2SA658

PACKAGE OUTLINE

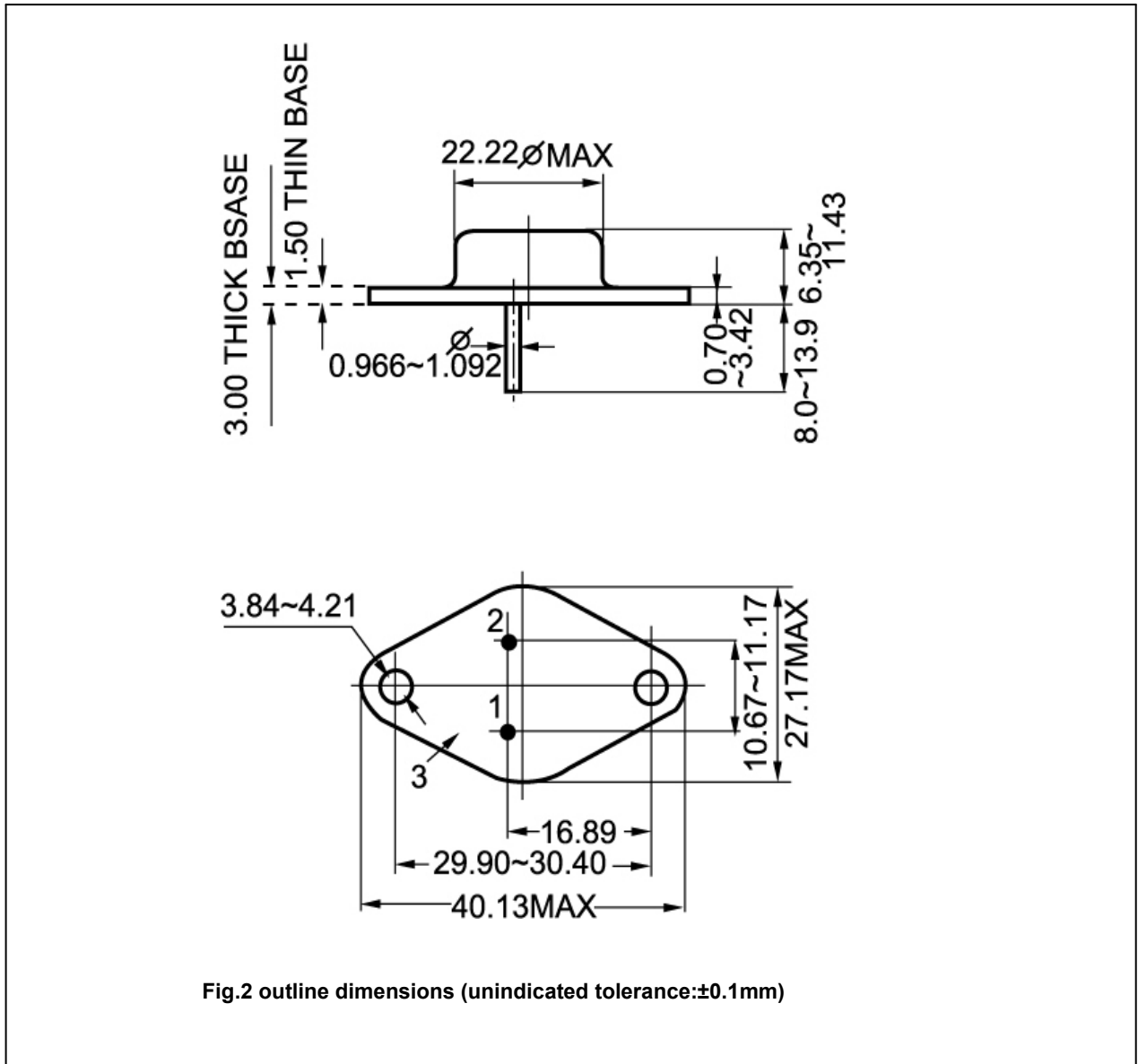


Fig.2 outline dimensions (unindicated tolerance:±0.1mm)