

2 Mbit / 3 Mbit / 4 Mbit LPC Firmware Flash

SST49LF002B / SST49LF003B / SST49LF004B



Data Sheet

FEATURES:

- **2 Mbit, 3 Mbit, or 4 Mbit SuperFlash memory array for code/data storage**
 - SST49LF002B: 256K x8 (2 Mbit)
 - SST49LF003B: 384K x8 (3 Mbit)
 - SST49LF004B: 512K x8 (4 Mbit)
- **Conforms to Intel LPC Interface Specification 1.1**
 - Supports Single-Byte LPC Memory and Firmware Memory Cycle Types
- **Flexible Erase Capability**
 - Uniform 4 KByte sectors
 - Uniform 16 KByte overlay blocks for SST49LF002B
 - Uniform 64 KByte overlay blocks for SST49LF003B/004B
 - Chip-Erase for PP Mode Only
- **Single 3.0-3.6V Read and Write Operations**
- **Superior Reliability**
 - Endurance: 100,000 Cycles (typical)
 - Greater than 100 years Data Retention
- **Low Power Consumption**
 - Active Read Current: 6 mA (typical)
 - Standby Current: 10 μ A (typical)
- **Fast Sector-Erase/Byte-Program Operation**
 - Sector-Erase Time: 18 ms (typical)
 - Block-Erase Time: 18 ms (typical)
 - Chip-Erase Time: 70 ms (typical)
 - Byte-Program Time: 14 μ s (typical)
 - Chip Rewrite Time:
 - SST49LF002B: 4 seconds (typical)
 - SST49LF003B: 6 seconds (typical)
 - SST49LF004B: 8 seconds (typical)
 - Single-pulse Program or Erase
 - Internal timing generation
- **Two Operational Modes**
 - Low Pin Count (LPC) interface mode for in-system operation
 - Parallel Programming (PP) mode for fast production programming
- **LPC Interface Mode**
 - LPC bus interface supporting byte Read and Write
 - 33 MHz clock frequency operation
 - WP# and TBL# pins provide hardware write protect for entire chip and/or top Boot Block
 - Block Locking Registers for individual block Write-Lock and Lock-Down protection
 - JEDEC Standard SDP Command Set
 - Data# Polling and Toggle Bit for End-of-Write detection
 - 5 GPI pins for system design flexibility
 - 4 ID pins for multi-chip selection
- **Parallel Programming (PP) Mode**
 - 11-pin multiplexed address and 8-pin data I/O interface
 - Supports fast In-System or PROM programming for manufacturing
- **CMOS and PCI I/O Compatibility**
- **Packages Available**
 - 32-lead PLCC all devices
 - For SST49LF004B only:
 - 40-lead TSOP (10mm x 20mm)
- **All non-Pb (lead-free) devices are RoHS compliant**

PRODUCT DESCRIPTION

The SST49LF00xB flash memory devices are designed to interface with host controllers (chipsets) that support a low-pin-count (LPC) interface for BIOS applications. The SST49LF00xB devices comply with Intel's LPC Interface Specification 1.1, supporting single-byte Firmware Memory and LPC Memory cycle types.

The SST49LF00xB devices are backward compatible to the SST49LF00xA Firmware Hub and the SST49LF0x0A LPC Flash. In this document, FWH mode in the SST49LF00xA specification is referenced as the Firmware Memory Read/Write cycle and LPC mode in the SST49LF0x0A specification is referenced as the LPC Memory Read/Write cycle. Two interface modes are sup-

ported by the SST49LF00xB: LPC mode (Firmware Memory and LPC Memory cycle types) for in-system operations and Parallel Programming (PP) mode to interface with programming equipment.

The SST49LF00xB flash memory devices are manufactured with SST's proprietary, high-performance SuperFlash technology. The split-gate cell design and thick-oxide tunneling injector attain greater reliability and manufacturability compared with alternative approaches. The SST49LF00xB devices significantly improve performance and reliability, while lowering power consumption. The SST49LF00xB devices write (Program or Erase) with a single 3.0-3.6V power supply.



2 Mbit / 3 Mbit / 4 Mbit LPC Firmware Flash SST49LF002B / SST49LF003B / SST49LF004B

Data Sheet

The SST49LF00xB use less energy during Erase and Program than alternative flash memory technologies. The total energy consumed is a function of the applied voltage, current and time of application. Since for any given voltage range the SuperFlash technology uses less current to program and has a shorter erase time, the total energy consumed during any Erase or Program operation is less than alternative flash memory technologies.

The SuperFlash technology provides fixed Erase and Program times, independent of the number of Erase/Program cycles that have occurred. This means the system software or hardware does not have to be calibrated or correlated to the cumulative number of Erase cycles as is necessary with alternative flash memory technologies, whose Erase and Program times increase with accumulated Erase/Program cycles.

The SST49LF00xB devices provide a maximum Byte-Program time of 20 μ sec. The entire memory can be erased and programmed byte-by-byte typically in 8 seconds for the

SST49LF004B device, when using status detection features such as Toggle Bit or Data# Polling to indicate the completion of Program operation. To protect against inadvertent writes, the SST49LF00xB device employ on-chip hardware and software data protection (SDP) schemes. It is offered with a typical endurance of 100,000 cycles. Data retention is rated at greater than 100 years.

To meet high density, surface mount requirements, the SST49LF00xB devices are offered in 32-lead PLCC; additionally the SST49LF004B is offered in a 40-lead TSOP package. In addition, SST is providing lead-free (non-Pb) package options to address the growing need for non-Pb solutions in electronic components. Non-Pb package version can be obtained by ordering products with a package code suffix of "E" as the environmental attribute in the product part number. See Figures 1 and 2 for pin assignments and Table 1 for pin descriptions.

TABLE OF CONTENTS

PRODUCT DESCRIPTION	1
LIST OF FIGURES	4
LIST OF TABLES.....	5
FUNCTIONAL BLOCKS	6
PIN ASSIGNMENTS	7
PIN DESCRIPTIONS.....	8
Clock	9
Input/Output Communications	9
Input Communication Frame.....	9
Interface Mode Select.....	9
Reset.....	9
Identification Inputs.....	9
General Purpose Inputs	9
Write Protect / Top Block Lock	9
Row / Column Select	9
Output Enable.....	9
Write Enable.....	9
No Connection	9
DEVICE MEMORY MAPS	10
DESIGN CONSIDERATIONS	12



2 Mbit / 3 Mbit / 4 Mbit LPC Firmware Flash SST49LF002B / SST49LF003B / SST49LF004B

Data Sheet

PRODUCT IDENTIFICATION	12
MODE SELECTION.....	12
LPC MODE	13
Device Operation	13
Firmware Memory Read Cycle	14
Firmware Memory Write Cycle	15
LPC Memory Read Cycle	16
LPC Memory Write Cycle	17
Abort Mechanism	18
Response to Invalid Fields for Firmware Memory Cycle.....	18
Response to Invalid Fields for LPC Memory Cycle.....	18
Multiple Device Selection	20
Write Operation Status Detection	20
Registers.....	21
PARALLEL PROGRAMMING MODE	23
Device Operation	23
Write Operation Status Detection	23
Data Protection (PP Mode).....	24
SOFTWARE COMMAND SEQUENCE	25
ELECTRICAL SPECIFICATIONS	26
DC Characteristics	27
AC Characteristics (LPC Mode)	29
AC Characteristics (PP Mode)	33
PRODUCT ORDERING INFORMATION.....	40
PACKAGING DIAGRAMS	41



LIST OF FIGURES

FIGURE 1: Pin Assignments for 32-lead PLCC 7
FIGURE 2: Pin Assignments for 40-lead TSOP (10mm x 20mm) 7
FIGURE 3: Device Memory Map for SST49LF002B 10
FIGURE 4: Device Memory Map for SST49LF003B 11
FIGURE 5: Device Memory Map for SST49LF004B 11
FIGURE 6: Firmware Memory Read Cycle Waveform 14
FIGURE 7: Firmware Memory Write Cycle Waveform 15
FIGURE 8: LPC Memory Read Cycle Waveform 16
FIGURE 9: LPC Memory Write Cycle Waveform 17
FIGURE 10: LCLK Waveform (LPC Mode) 28
FIGURE 11: Output Timing Parameters (LPC Mode) 30
FIGURE 12: Input Timing Parameters (LPC Mode) 30
FIGURE 13: Reset Timing Diagram (LPC MODE) 31
FIGURE 14: Reset Timing Diagram (PP Mode) 32
FIGURE 15: Read Cycle Timing Diagram (PP Mode) 34
FIGURE 16: Write Cycle Timing Diagram (PP Mode) 34
FIGURE 17: Data# Polling Timing Diagram (PP Mode) 35
FIGURE 18: Toggle Bit Timing Diagram (PP Mode) 35
FIGURE 19: Byte-Program Timing Diagram (PP Mode) 36
FIGURE 20: Sector-Erase Timing Diagram (PP Mode) 36
FIGURE 21: Block-Erase Timing Diagram (PP Mode) 37
FIGURE 22: Chip-Erase Timing Diagram (PP Mode) 37
FIGURE 23: Software ID Entry and Read (PP Mode) 38
FIGURE 24: Software ID Exit (PP Mode) 38
FIGURE 25: AC Input/Output Reference Waveforms 39
FIGURE 26: A Test Load Example 39



LIST OF TABLES

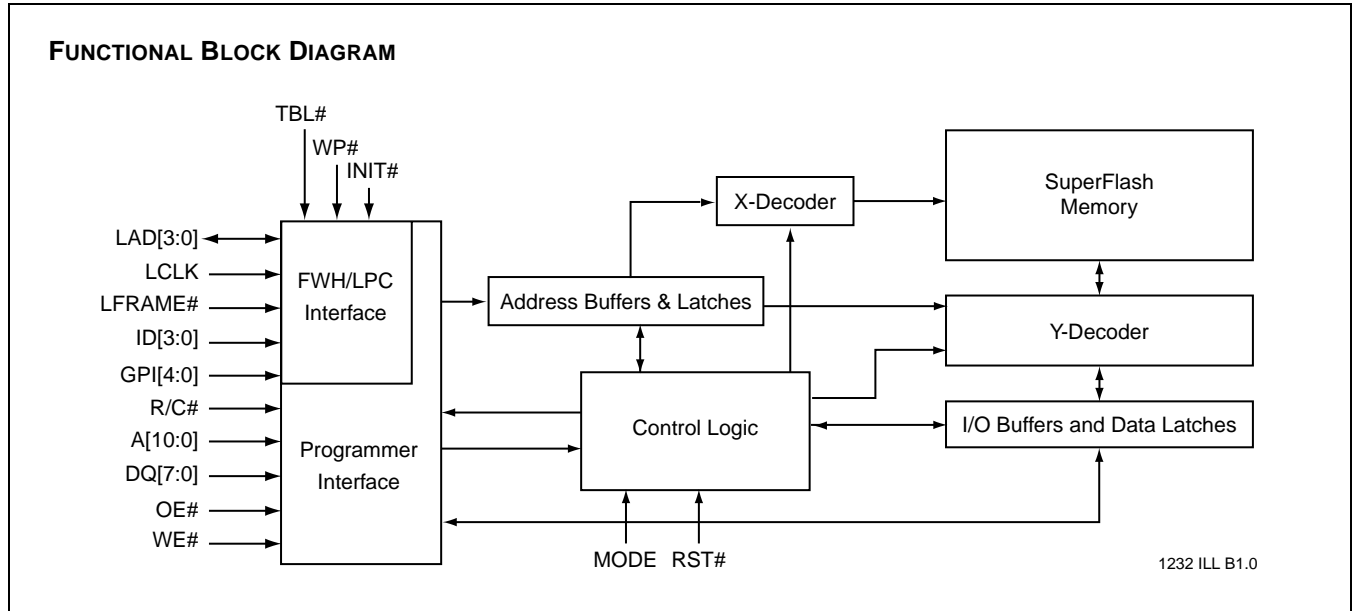
TABLE 1: Pin Description	8
TABLE 2: Most Significant Addresses	9
TABLE 3: Product Identification	12
TABLE 4: Firmware and LPC Memory Cycles START Field Definition	13
TABLE 5: Firmware Memory Read Cycle Field Definitions	14
TABLE 6: Firmware Memory Write Cycle.	15
TABLE 7: LPC Memory Read Cycle Field Definitions	16
TABLE 8: LPC Memory Write Cycle Field Definitions	17
TABLE 9: LPC Memory Address Decoding Range for SST49LF002B	19
TABLE 10: LPC Memory Address Decoding Range for SST49LF003B and SST49LF004B.	19
TABLE 11: SST49LF002B LPC Memory Address bits definition	19
TABLE 12: SST49LF003B and SST49LF004B LPC Memory Address bits definition	19
TABLE 13: Firmware Memory Multiple Device Selection Configuration	20
TABLE 14: LPC Memory Multiple Device Selection Configuration	20
TABLE 15: Block Locking Registers for SST49LF002B.	22
TABLE 16: Block Locking Registers for SST49LF003B/004B	22
TABLE 17: Block Locking Register Bits	22
TABLE 18: Operation Modes Selection (PP Mode)	24
TABLE 19: Software Command Sequence	25
TABLE 20: DC Operating Characteristics (All Interfaces)	27
TABLE 21: Recommended System Power-up Timings	27
TABLE 22: Pin Capacitance.	27
TABLE 23: Reliability Characteristics.	28
TABLE 24: Clock Timing Parameters (LPC Mode)	28
TABLE 25: Read/Write Cycle Timing Parameters (LPC Mode).	29
TABLE 26: AC Input/Output Specifications (LPC Mode)	29
TABLE 27: Interface Measurement Condition Parameters (LPC Mode)	31
TABLE 28: Reset Timing Parameters (LPC Mode)	31
TABLE 29: Reset Timing Parameters (PP Mode)	32
TABLE 30: Read Cycle Timing Parameters (PP Mode).	33
TABLE 31: Program/Erase Cycle Timing Parameters (PP Mode).	33
TABLE 32: Revision History.	43



2 Mbit / 3 Mbit / 4 Mbit LPC Firmware Flash SST49LF002B / SST49LF003B / SST49LF004B

Data Sheet

FUNCTIONAL BLOCKS



PIN ASSIGNMENTS

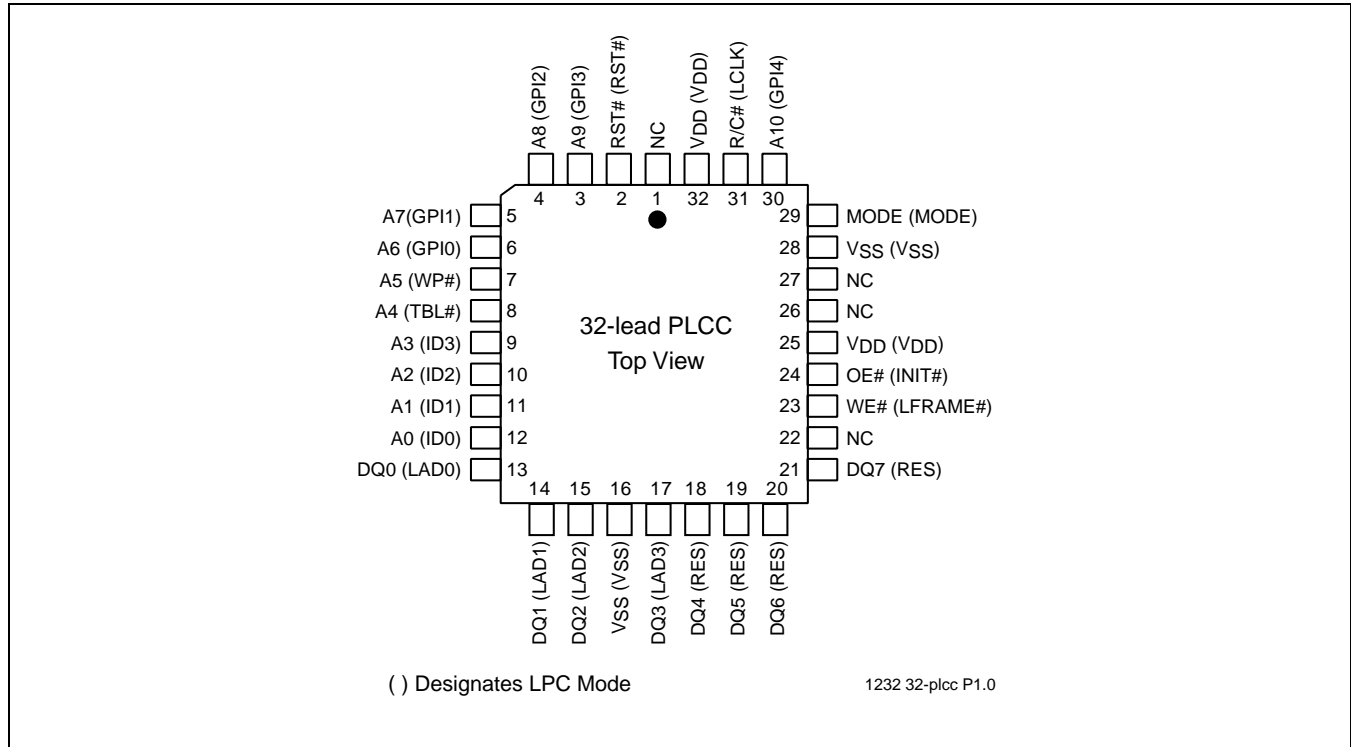


FIGURE 1: PIN ASSIGNMENTS FOR 32-LEAD PLCC

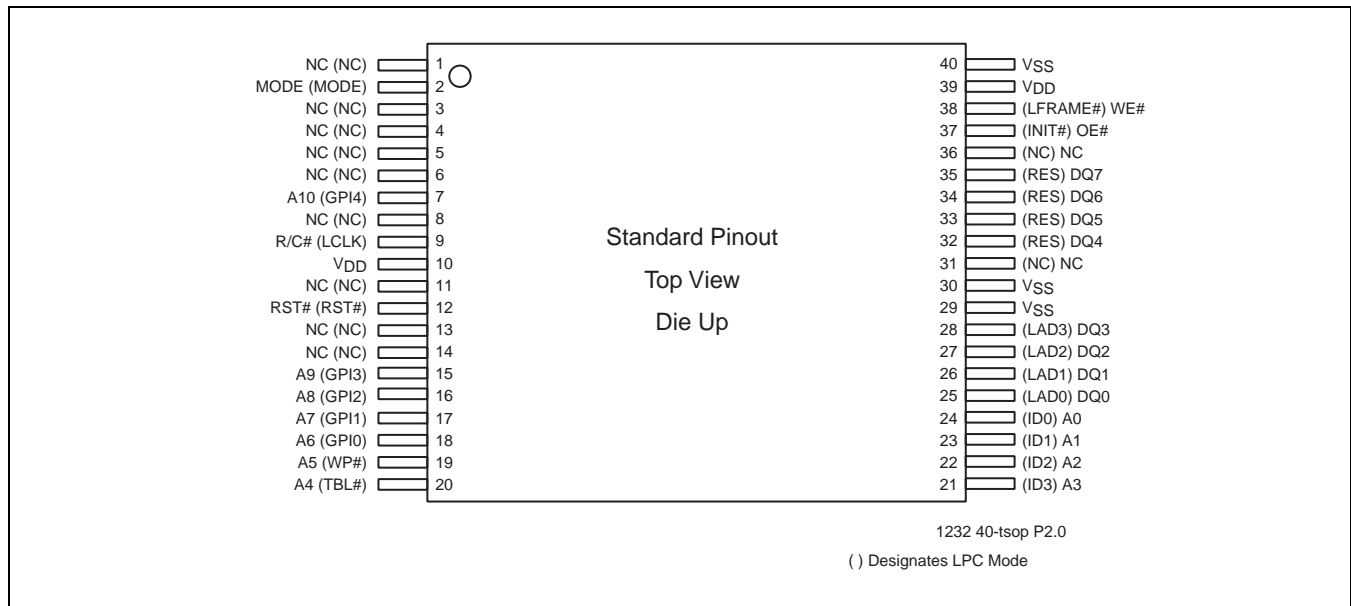


FIGURE 2: PIN ASSIGNMENTS FOR 40-LEAD TSOP (10MM X 20MM)



2 Mbit / 3 Mbit / 4 Mbit LPC Firmware Flash SST49LF002B / SST49LF003B / SST49LF004B

Data Sheet

PIN DESCRIPTIONS

TABLE 1: PIN DESCRIPTION

Symbol	Pin Name	Type ¹	Interface		Functions
			PP	LPC	
LCLK	Clock	I		X	To provide a clock input to the control unit. The clock conforms to the PCI specification.
LAD[3:0]	Address and Data	I/O		X	To provide LPC bus information such as addresses and command inputs/outputs to memory.
LFRAME#	Frame	I		X	To indicate start of a data transfer operation; also used to abort an LPC cycle in progress.
MODE	Interface Mode Select	I	X	X	This pin determines which interface is operational. When held high, programmer mode is enabled and when held low, LPC mode is enabled. This pin must be set at power-up or before returning from reset and must not change during device operation. This pin must be held high (V_{IH}) for PP mode and low (V_{IL}) for LPC mode. This pin is internally pulled-down with a resistor between 20-100 K Ω .
RST#	Reset	I	X	X	To reset the operation of the device
INIT#	Initialize	I		X	This is the second reset pin for in-system use. This pin functions identically to RST#.
ID[3:0]	Identification Inputs	I		X	These four pins are part of the mechanism that allows multiple parts to be attached to the same bus. The strapping of these pins is used to identify the component. The boot device must have ID[3:0]=0000, all subsequent devices should use sequential count-up strapping. These pins are internally pulled-down with a resistor between 20-100 K Ω .
GPI[4:0]	General Purpose Inputs	I		X	These individual inputs can be used for additional board flexibility. The state of these pins can be read through GPI_REG (General Purpose Inputs Register). These inputs should be at their desired state before the start of the LPC clock cycle during which the read is attempted, and should remain in place until the end of the Read cycle. Unused GPI pins must not be floated.
TBL#	Top Block Lock	I		X	When low, prevents programming to the boot block sectors at the top of the device memory. When TBL# is high it disables hardware write protection for the top block sectors. This pin cannot be left unconnected.
WP#	Write Protect	I		X	When low, prevents programming to all but the highest addressable blocks. When WP# is high it disables hardware write protection for these blocks. This pin cannot be left unconnected.
R/C#	Row/Column Select	I	X		Select for the Programming interface, this pin determines whether the address pins are pointing to the row addresses, or to the column addresses.
A ₁₀ -A ₀	Address	I	X		Inputs for low-order addresses during Read and Write operations. Addresses are internally latched during a Write cycle. For the programming interface, these addresses are latched by R/C# and share the same pins as the high-order address inputs.
DQ ₇ -DQ ₀	Data	I/O	X		To output data during Read cycles and receive input data during Write cycles. Data is internally latched during a Write cycle. The outputs are in tri-state when OE# is high.
OE#	Output Enable	I	X		To gate the data output buffers.
WE#	Write Enable	I	X		To control the Write operations.
RES	Reserved			X	These pins must be left unconnected.
V _{DD}	Power Supply	PWR	X	X	To provide power supply (3.0-3.6V)
V _{SS}	Ground	PWR	X	X	Circuit ground (0V reference)
NC	No Connection		N/A	N/A	Unconnected pins.

T1.2 1232

1. I = Input, O = Output



2 Mbit / 3 Mbit / 4 Mbit LPC Firmware Flash SST49LF002B / SST49LF003B / SST49LF004B

Data Sheet

Clock

The LCLK pin accepts a clock input from the host controller.

Input/Output Communications

The LAD[3:0] pins are used to serially communicate cycle information such as cycle type, cycle direction, ID selection, address, data, and sync fields.

Input Communication Frame

The LFRAME# pin is used to indicate start of a LPC bus cycle. The pin is also used to abort an LPC bus cycle in progress.

Interface Mode Select

The MODE pin is used to set the interface mode. If the mode pin is set to logic high, the device is in PP mode. If the mode pin is set low, the device is in the LPC mode. The mode selection pin must be configured prior to device operation. The mode pin is internally pulled down if the pin is left unconnected.

Reset

A V_{IL} on INIT# or RST# pin initiates a device reset. INIT# and RST# pins have the same function internally. It is required to drive INIT# or RST# pins low during a system reset to ensure proper CPU initialization. During a Read operation, driving INIT# or RST# pins low deselects the device and places the output drivers, LAD[3:0], in a high impedance state. The reset signal must be held low for a minimum of time T_{RSTP} . A reset latency occurs if a reset procedure is performed during a Program or Erase operation. See Table 28 and Table 29, Reset Timing Parameters, for more information. A device reset during an active Program or Erase operation will abort the operation and memory contents may become invalid due to data being altered or corrupted from an incomplete Erase or Program operation.

Identification Inputs

These pins are part of a mechanism that allows multiple devices to be attached to the same bus. The strapping of these pins is used to identify the component. The boot device must have ID[3:0] = 0; all subsequent devices should use sequential count-up strapping. These pins are internally pulled-down with a resistor between 20-100 $K\Omega$.

General Purpose Inputs

The General Purpose Inputs (GPI[4:0]) can be used as digital inputs for the CPU to read. The GPI register holds the values on these pins. The data on the GPI pins must be

stable before the start of a GPI register Read and remain stable until the Read cycle is complete. The pins must be driven low, V_{IL} , or high, V_{IH} but not left unconnected (float).

Write Protect / Top Block Lock

The Top Boot Lock (TBL#) and Write Protect (WP#) pins are provided for hardware write protection of device memory in the SST49LF00xB. The TBL# pin is used to write protect 16 boot sectors (64 KByte) at the highest memory address range for the SST49LF003B/004B and 4 boot sectors (16 KByte) for the SST49LF002B. The WP# pin write protects the remaining sectors in the flash memory.

An active low signal at the TBL# pin prevents Program and Erase operations of the top boot block. When TBL# pin is held high, the hardware write protection of the top boot block is disabled. The WP# pin serves the same function for the remaining blocks of the device memory. The TBL# and WP# pins write protection functions operate independently of one another. Both TBL# and WP# pins must be set to their required protection states prior to starting a Program or Erase operation. A logic level change occurring at the TBL# or WP# pin during a Program or Erase operation could cause unpredictable results.

Row / Column Select

The R/C# pin is used to control the multiplex address inputs in Parallel Programming (PP) mode. The column addresses are mapped to the higher internal addresses (A_{MS-11}) shown in Table 2, and the row addresses are mapped to the lower internal addresses (A_{10-0}).

TABLE 2: MOST SIGNIFICANT ADDRESSES

A _{MS}	Device
A ₁₇	SST49LF002B
A ₁₈	SST49LF003B / SST49LF004B

T2.0 1232

Output Enable

The OE# pin is used to gate the output data buffers in PP mode.

Write Enable

The WE# pin is used to control the write operations in PP mode.

No Connection

These pins are not connected internally.



DEVICE MEMORY MAPS

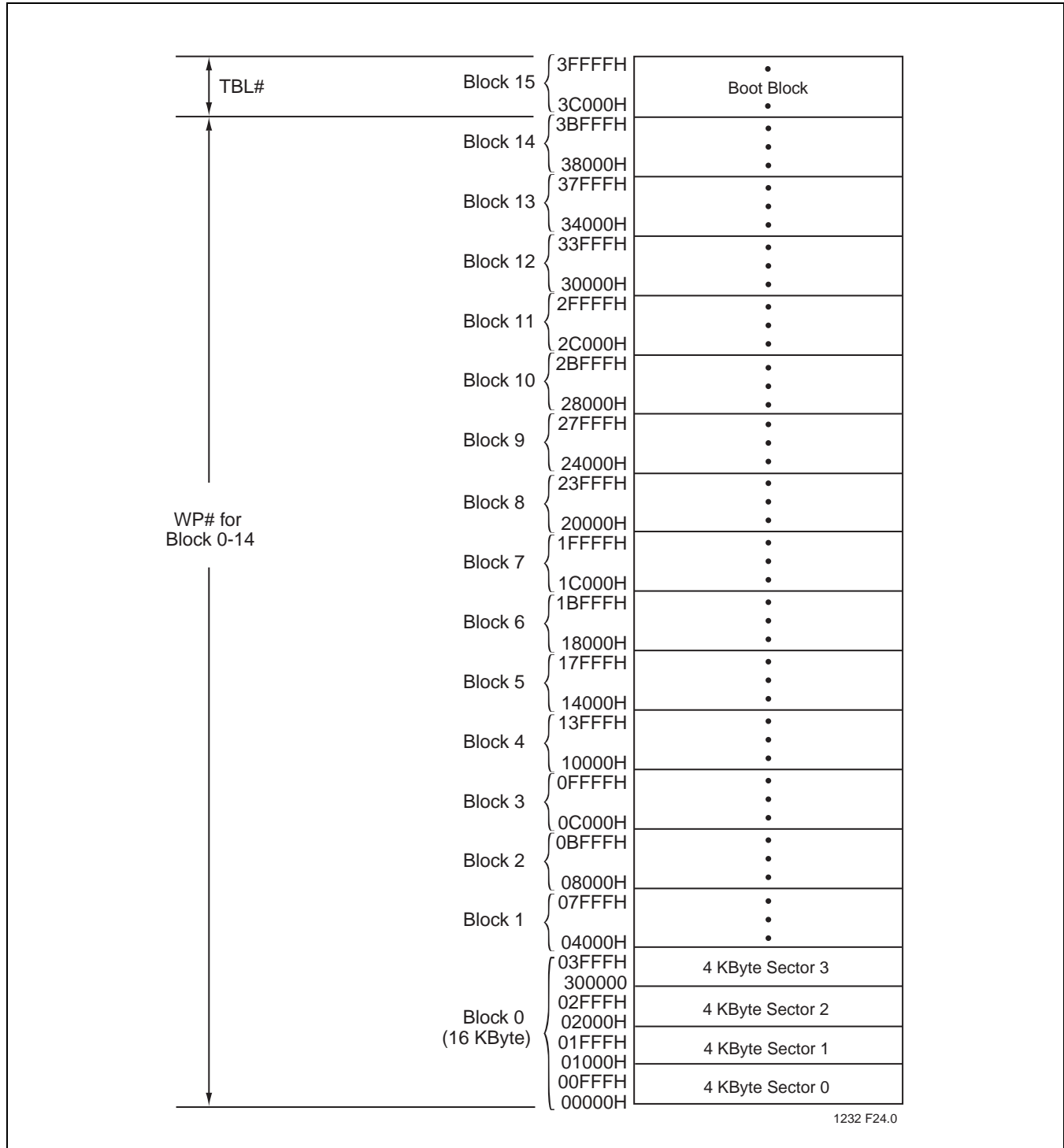


FIGURE 3: DEVICE MEMORY MAP FOR SST49LF002B

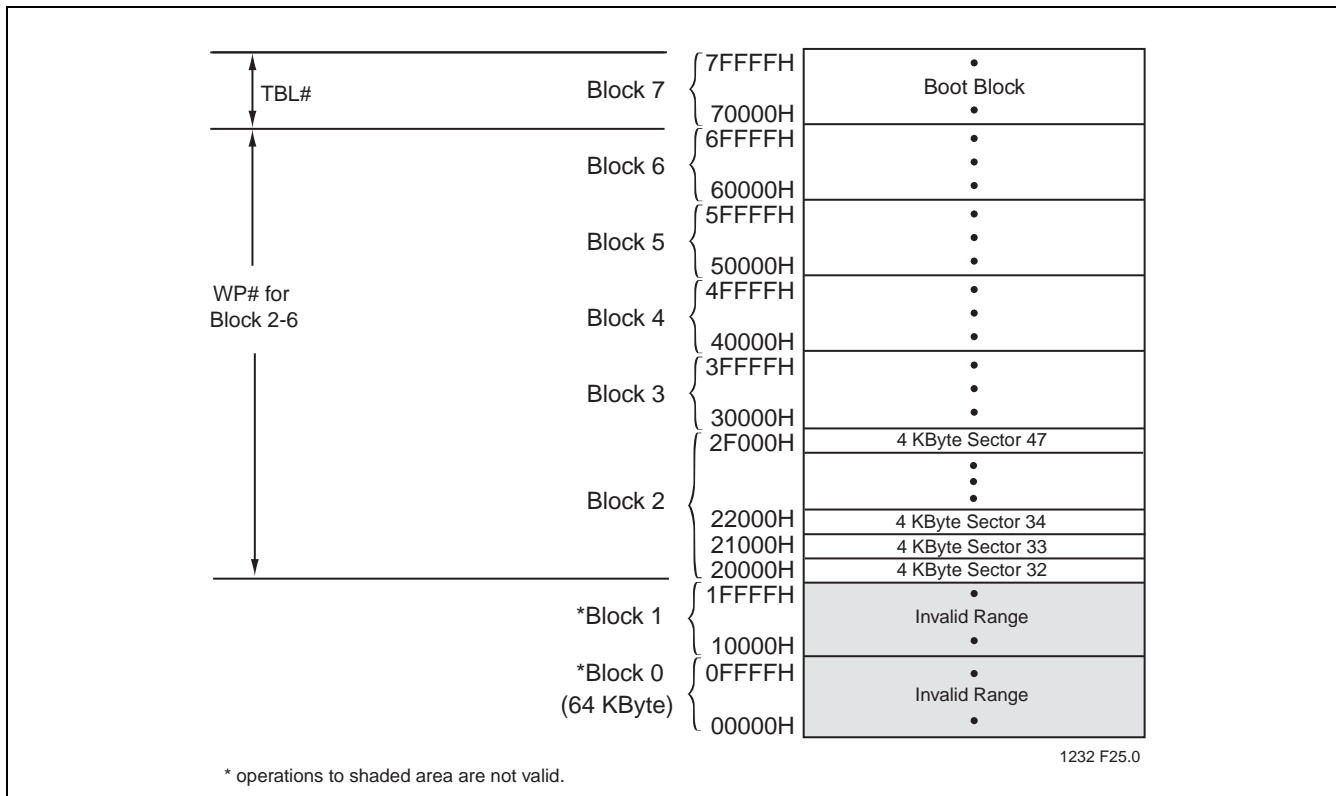


FIGURE 4: DEVICE MEMORY MAP FOR SST49LF003B

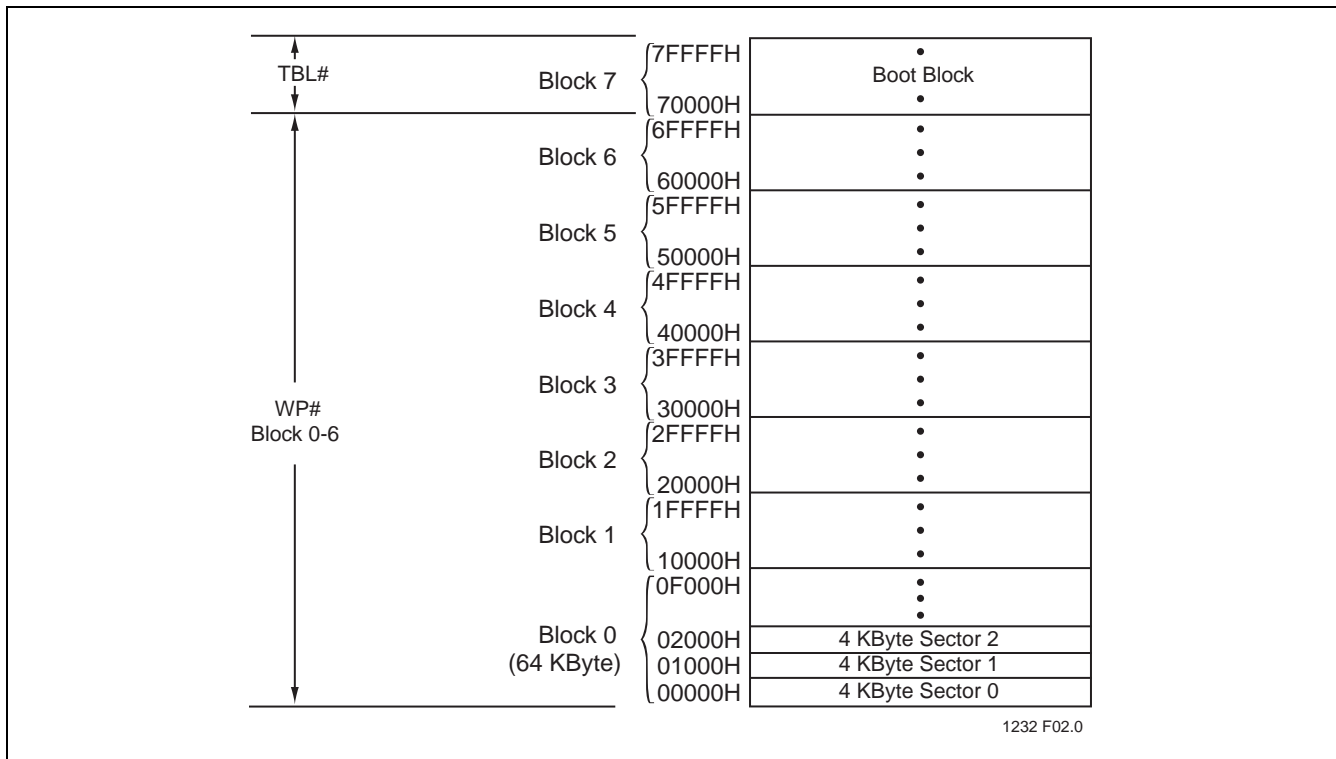


FIGURE 5: DEVICE MEMORY MAP FOR SST49LF004B



DESIGN CONSIDERATIONS

SST recommends a high frequency 0.1 μ F ceramic capacitor to be placed as close as possible between V_{DD} and V_{SS} less than 1 cm away from the V_{DD} pin of the device. Additionally, a low frequency 4.7 μ F electrolytic capacitor from V_{DD} to V_{SS} should be placed within 1 cm of the V_{DD} pin. If a socket is used for programming purposes, an additional 1-10 μ F should be added next to each socket.

The RST# and INIT# pins must remain stable at V_{IH} for the entire duration of an Erase or Program operation. WP# must remain stable at V_{IH} for the entire duration of the Erase and Program operations for non-Boot Block sectors. To write data to the top Boot Block sectors, the TBL# pin must also remain stable at V_{IH} for the entire duration of the Erase and Program operations.

PRODUCT IDENTIFICATION

The Product Identification mode identifies the device as the SST49LF00xB and manufacturer as SST.

TABLE 3: PRODUCT IDENTIFICATION

	Address		Data
	PP Mode	LPC Mode ¹	
Manufacturer's ID	0000H	FFBC 0000H	BFH
Device ID ²			
SST49LF002B	0001H	FFBC 0001H	57H
SST49LF003B	0001H	FFBC 0001H	1BH
SST49LF004B	0001H	FFBC 0001H	60H

T3.1 1232

1. Address shown in this column is for boot device only. Address locations should appear elsewhere in the 4 GByte system memory map depending on ID strapping values on ID[3:0] pins when multiple LPC memory devices are used in a system.
2. The device ID for SST49LF00xB is the same as SST49LF00xA.

MODE SELECTION

The SST49LF00xB flash memory device operates in two distinct interface modes: the LPC mode and the Parallel Programming (PP) mode. The MODE (Interface Mode Select) pin is used to set the interface mode selection. If the MODE pin is set to logic high, the device is in PP mode; while if the MODE pin is set low, the device is in LPC mode. The MODE selection pin must be configured prior to device operation and must not change during operation. If the pin is not connected, by default the Mode pin is internally pulled low and the 49LF00xB will be in LPC operation.

In LPC mode, communication between the Host and the SST49LF00xB occurs via the 4-bit I/O communication signals, LAD[3:0] and LFRAME#. The SST49LF00xB detects whether it is being accessed via a FWH or LPC protocol by detecting the START field contents; a 1101b or 1110b indicates a Firmware Memory cycle and a 0000b indicates an LPC memory cycle.

In PP mode, the device is controlled via the 11 addresses, A_{10-A_0} , and 8 I/O, DQ_7-DQ_0 , signals. The address inputs are multiplexed in row and column selected by control signal R/C# pin. The row addresses are mapped to the lower internal addresses (A_{10-0}), and the column addresses are mapped to the higher internal addresses (A_{MS-11}) shown in Table 2. See Figures 3 through 5, Device Memory Maps, for address assignments.



LPC MODE

Device Operation

The LPC mode uses a 5-signal communication interface consisting of one control line, LFRAME#, which is driven by the host to start or abort a bus cycle, and a 4-bit data bus, LAD[3:0], which is used to communicate cycle type, cycle direction, ID selection, address, data and sync fields. The device enters standby mode when LFRAME# is high and no internal operation is in progress.

The SST49LF00xB supports both single-byte Firmware Memory Read/Write cycles and single-byte LPC Memory Read/Write cycles as defined in Intel's Low-Pin-Count Interface Specification, Revision 1.1. The host drives LFRAME# low for one or more clock cycles to initiate an LPC cycle. The last latched value of LAD[3:0] before LFRAME# is the START value. The START value determines whether the SST49LF00xB will respond to a Firmware Memory Read/Write cycle or a LPC Memory Read/Write cycle as defined in Table 4.

TABLE 4: FIRMWARE AND LPC MEMORY CYCLES START FIELD DEFINITION

START Value	Definition
0000	Start of an LPC memory cycle. The direction (Read or Write) is determined by the second field of the LPC cycle.
1101	Start of a Firmware Memory Read cycle
1110	Start of a Firmware Memory Write cycle

T4.0 1232

See following sections for details of Firmware Memory and LPC Memory cycle types. JEDEC standard SDP (Software Data Protection) Program and Erase command sequences are used to initiate Firmware and LPC Memory Program and Erase operations. See Table 18 for a listing of Program and Erase commands. Chip-Erase is only available in PP mode.



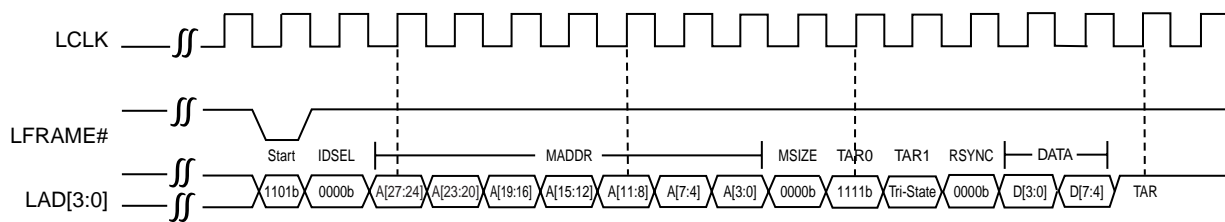
Firmware Memory Read Cycle

TABLE 5: FIRMWARE MEMORY READ CYCLE FIELD DEFINITIONS

Clock Cycle	Field Name	Field Contents LAD[3:0] ¹	LAD[3:0] Direction	Comments
1	START	1101	IN	LFRAME# must be active (low) for the device to respond. Only the last field latched before LFRAME# transitions high will be recognized. The START field contents (1101b) indicate a Firmware Memory Read cycle.
2	IDSEL	0000 to 1111	IN	Indicates which SST49LF00xB device should respond. If the IDSEL (ID select) field matches the value of ID[3:0], the device will respond to the LPC bus cycle.
3-9	MADDR	YYYY	IN	These seven clock cycles make up the 28-bit memory address. YYYY is one nibble of the entire address. Addresses are transferred most-significant nibble first.
10	MSIZE	0000 (1 Byte)	IN	The MSIZE field indicates how many bytes will be transferred during multi-byte operations. The SST49LF00xB only supports single-byte operation. MSIZE=0000b
11	TAR0	1111	IN then Float	In this clock cycle, the master has driven the bus to all '1's and then floats the bus, prior to the next clock cycle. This is the first part of the bus "turnaround cycle."
12	TAR1	1111 (float)	Float then OUT	The SST49LF00xB takes control of the bus during this cycle.
13	RSYNC	0000 (READY)	OUT	During this clock cycle, the device generates a "ready sync" (RSYNC) indicating that the device has received the input data.
14	DATA	ZZZZ	OUT	ZZZZ is the least-significant nibble of the data byte.
15	DATA	ZZZZ	OUT	ZZZZ is the most-significant nibble of the data byte.
16	TAR0	1111	OUT then Float	In this clock cycle, the SST49LF00xB drives the bus to all ones and then floats the bus prior to the next clock cycle. This is the first part of the bus "turnaround cycle."
17	TAR1	1111 (float)	Float then IN	The host resumes control of the bus during this cycle.

T5.1 1232

1. Field contents are valid on the rising edge of the present clock cycle.



1232 F03.0

FIGURE 6: FIRMWARE MEMORY READ CYCLE WAVEFORM



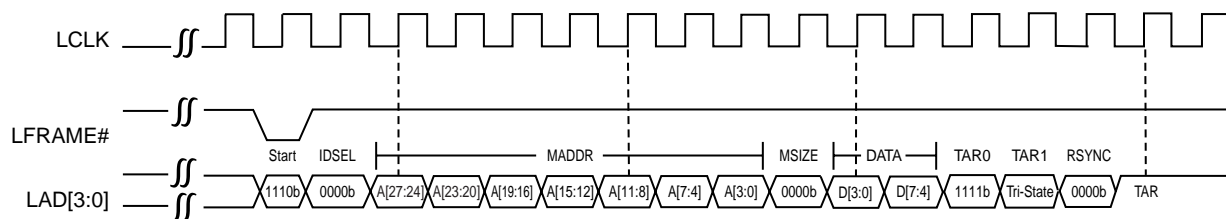
Firmware Memory Write Cycle

TABLE 6: FIRMWARE MEMORY WRITE CYCLE

Clock Cycle	Field Name	Field Contents LAD[3:0] ¹	LAD[3:0] Direction	Comments
1	START	1110	IN	LFRAME# must be active (low) for the device to respond. Only the last field latched before LFRAME# transitions high will be recognized. The START field contents (1110b) indicate a Firmware Memory Write cycle.
2	IDSEL	0000 to 1111	IN	Indicates which SST49LF00xB device should respond. If the IDSEL (ID select) field matches the value of ID[3:0], the device will respond to the memory cycle.
3-9	MADDR	YYYY	IN	These seven clock cycles make up the 28-bit memory address. YYYY is one nibble of the entire address. Addresses are transferred most-significant nibble first.
10	MSIZE	0000 (1 Byte)	IN	The MSIZE field indicates how many bytes will be transferred during multi-byte operations. The device only supports single-byte writes. MSIZE=0000b
11	DATA	ZZZZ	IN	ZZZZ is the least-significant nibble of the data byte.
12	DATA	ZZZZ	IN	ZZZZ is the most-significant nibble of the data byte.
13	TAR0	1111	IN then Float	In this clock cycle, the host drives the bus to all '1's and then floats the bus prior to the next clock cycle. This is the first part of the bus "turnaround cycle."
14	TAR1	1111 (float)	Float then OUT	The SST49LF00xB takes control of the bus during this cycle.
15	RSYNC	0000	OUT	During this clock cycle, the device generates a "ready sync" (RSYNC) indicating that the device has received the input data.
16	TAR0	1111	OUT then Float	In this clock cycle, the SST49LF00xB drives the bus to all '1's and then floats the bus prior to the next clock cycle. This is the first part of the bus "turnaround cycle."
17	TAR1	1111 (float)	Float then IN	The host resumes control of the bus during this cycle.

T6.0 1232

1. Field contents are valid on the rising edge of the present clock cycle.



1232 F04.0

FIGURE 7: FIRMWARE MEMORY WRITE CYCLE WAVEFORM



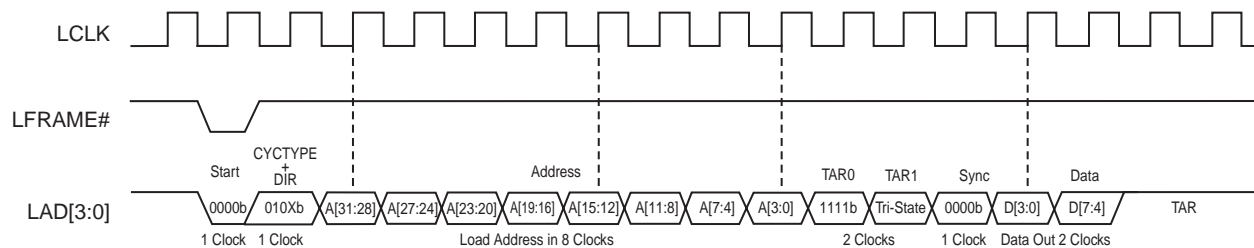
LPC Memory Read Cycle

TABLE 7: LPC MEMORY READ CYCLE FIELD DEFINITIONS

Clock Cycle	Field Name	Field Contents LAD[3:0] ¹	LAD[3:0] Direction	Comments
1	START	0000	IN	LFRAME# must be active (low) for the device to respond. Only the last field latched before LFRAME# transitions high will be recognized. The START field contents (0000b) indicate an LPC Memory cycle.
2	CYCTYPE + DIR	010X	IN	Indicates the type of LPC Memory cycle. Bits 3:2 must be "01b" for memory cycle. Bit 1 indicates the type of transfer "0" for Read. Bit 0 is reserved.
3-10	ADDR	YYYY	IN	Address Phase for Memory Cycle. LPC protocol supports a 32-bit address phase. YYYY is one nibble of the entire address. Addresses are transferred most-significant nibble first.
11	TAR0	1111	IN then Float	In this clock cycle, the host drives the bus to all 1s and then floats the bus. This is the first part of the bus "turnaround cycle."
12	TAR1	1111 (float)	Float then OUT	The SST49LF00xB takes control of the bus during this cycle.
13	SYNC	0000	OUT	The SST49LF00xB outputs the value 0000b indicating that it has received data.
14	DATA	ZZZZ	OUT	ZZZZ is the least-significant nibble of the data byte.
15	DATA	ZZZZ	OUT	ZZZZ is the most-significant nibble of the data byte.
16	TAR0	1111	IN then Float	In this clock cycle, the host drives the bus to all 1s and then floats the bus. This is the first part of the bus "turnaround cycle."
17	TAR1	1111 (float)	Float then OUT	The SST49LF00xB takes control of the bus during this cycle.

T7.0 1232

1. Field contents are valid on the rising edge of the present clock cycle.



1232 F05.1

FIGURE 8: LPC MEMORY READ CYCLE WAVEFORM



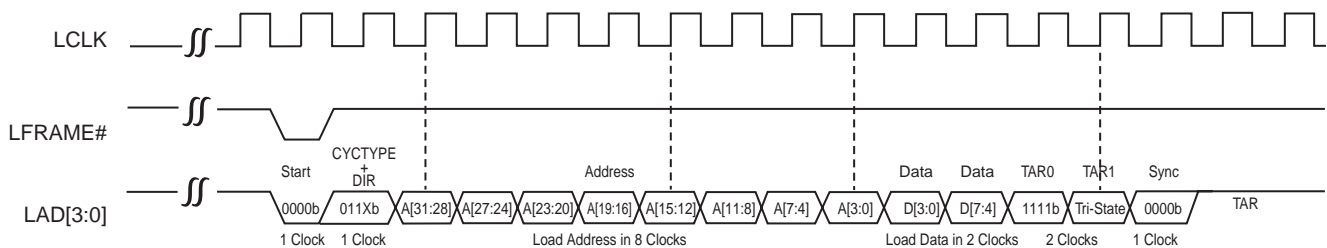
LPC Memory Write Cycle

TABLE 8: LPC MEMORY WRITE CYCLE FIELD DEFINITIONS

Clock Cycle	Field Name	Field Contents LAD[3:0] ¹	LAD[3:0] Direction	Comments
1	START	0000	IN	LFRAME# must be active (low) for the device to respond. Only the last field latched before LFRAME# transitions high will be recognized. The START field contents (0000b) indicate an LPC Memory cycle.
2	CYCTYPE + DIR	011X	IN	Indicates the type of LPC Memory cycle. Bits 3:2 must be "01b" for memory cycle. Bit 1 indicates the type of transfer "1" for Write. Bit 0 is reserved.
3-10	ADDR	YYYY	IN	Address Phase for Memory Cycle. LPC protocol supports a 32-bit address phase. YYYY is one nibble of the entire address. Addresses are transferred most significant nibble first.
11	DATA	ZZZZ	IN	ZZZZ is the least-significant nibble of the data byte.
12	DATA	ZZZZ	IN	ZZZZ is the most-significant nibble of the data byte.
13	TAR0	1111	IN	In this clock cycle, the host drives the bus to all '1's and then floats the bus. This is the first part of the bus "turn-around cycle."
14	TAR1	1111 (float)	Float then OUT	The SST49LF00xB takes control of the bus during this cycle.
15	SYNC	0000	OUT	The SST49LF00xB outputs the values 0000, indicating that it has received data or a flash command.
16	TAR0	1111	OUT then Float	In this clock cycle, the SST49LF00xB drives the bus to all '1's and then floats the bus. This is the first part of the bus "turnaround cycle."
17	TAR1	1111 (float)	Float then IN	Host resumes control of the bus during this cycle.

T8.0 1232

1. Field contents are valid on the rising edge of the present clock cycle.



1232 F06.1

FIGURE 9: LPC MEMORY WRITE CYCLE WAVEFORM



Abort Mechanism

If LFRAME# is driven low for one or more clock cycles after the start of a bus cycle, the cycle will be terminated. The host may drive LAD[3:0] with '1111b' (ABORT nibble) to return the interface to ready mode. The ABORT only affects the current bus cycle. For a multi-cycle command sequence, such as the Erase or Program SDP commands, ABORT doesn't interrupt the entire command sequence, only the current bus cycle of the command sequence. The host can re-send the bus cycle for the aborted command and continue the SDP command sequence after the device is ready again.

Response to Invalid Fields for Firmware Memory Cycle

During LPC operations the SST49LF00xB will not explicitly indicate that it has received invalid field sequences. The response to specific invalid fields or sequences is as follows:

ID mismatch: If the IDSEL field does not match ID[3:0], the device will ignore the cycle. See Multiple Device Selection section for details.

Address out of range: The address sequence is 7 fields long (28 bits) for Firmware Memory bus cycles, but only A_{22} and $A_{MS:A_0}$ will be decoded by SST49LF00xB. Address A_{22} has the special function of directing reads and writes to the flash core ($A_{22}=1$) or to the register space ($A_{22}=0$).

The SST49LF00xB features are equivalent the only difference being addressable memory space. For example, the SST49LF003B has 128 KByte less memory and the SST49LF002B has 256 KByte less than the SST49LF004B. For the SST49LF003B operations beyond the 3 Mbit boundary (below 20000H) will return FFH for Read operations and will ignore Write operations.

Invalid MSIZE field If the device receives an invalid MSIZE field during a Firmware Memory Read or Write cycle, the cycle will be ignored and no operation will be attempted. The SST49LF00xB will not generate any kind of response in this situation. Invalid size fields for a Firmware Memory cycle are any data other than 0000b.

Once valid START, IDSEL, and MSIZE fields are received, the SST49LF00xB will always complete the bus cycle. However, if the device is busy performing a flash Erase or Program operation, no new Write command (memory write or register write) will be executed.

Response to Invalid Fields for LPC Memory Cycle

ID mismatch: ID information is included in the address bits of every LPC Memory cycle, see Tables 11 and 12. The SST49LF00xB will compare the ID bits in the address field with ID[3:0]. If the ID bits in the address do not correspond to the hardware ID pins the device will ignore the cycle. See Multiple Device Selection section for details.

Address out of range: The address sequence is 8 fields long (32 bits). Address A_{22} has the special function of directing reads and writes to the flash core ($A_{22}=1$) or to the register space ($A_{22}=0$). The SST49LF00xB will only respond to address range specified in Tables 9 and 10.

Once valid START, CYCTYPE + DIR, and address range (including ID bits) are received, the SST49LF00xB will always complete the bus cycle. However, if the device is busy performing a flash Erase or Program operation, no new internal Write command (memory Write or register Write) will be executed. As long as the states of LAD[3:0] and LFRAME# are known, the response of the SST49LF00xB to signals received during the LPC cycle should be predictable.



2 Mbit / 3 Mbit / 4 Mbit LPC Firmware Flash SST49LF002B / SST49LF003B / SST49LF004B

Data Sheet

TABLE 9: LPC MEMORY ADDRESS DECODING RANGE FOR SST49LF002B

ID Strapping	Device Access	Address Range	Memory Size
Device #0 - 15	Memory Access	FFFF FFFFH : FFC0 0000H	4 MByte
	Register Access	FFBF FFFFH : FF80 0000H	4 MByte
Device #0 ¹	Memory Access	000F FFFFH : 000E 0000H	128 KByte

T9.1 1232

- For device #0 (Boot Device), SST49LF002B decodes the physical addresses of the top 8 blocks (including Boot Block) both at system memory ranges FFFF FFFFH to FFFE 0000H and 000F FFFFH to 000E 0000H.

TABLE 10: LPC MEMORY ADDRESS DECODING RANGE FOR SST49LF003B¹ AND SST49LF004B

ID Strapping	Device Access	Address Range	Memory Size
Device #0 - 7	Memory Access	FFFF FFFFH : FFC0 0000H	4 MByte
	Register Access	FFBF FFFFH : FF80 0000H	4 MByte
Device #8 - 15	Memory Access	FF7F FFFFH : FF40 0000H	4 MByte
	Register Access	FF3F FFFFH : FF00 0000H	4 MByte
Device #0 ²	Memory Access	000F FFFFH : 000E 0000H	128 KByte

T10.0 1232

- For the SST49LF003B, operations beyond the 3 Mbit boundary (below 20000H) are not valid (see Device Memory Map).
- For device #0 (Boot Device), SST49LF003B/004B decodes the physical addresses of the top 2 blocks (including Boot Block) both at system memory ranges FFFF FFFFH to FFFE 0000H and 000F FFFFH to 000E 0000H.

TABLE 11: SST49LF002B LPC MEMORY ADDRESS BITS DEFINITION

A ₃₁ : A ₂₃ ¹	A ₂₂	A ₂₁ : A ₁₈	A ₁₇ : A ₀
1111 1111b or 0000 0000b	1 = Memory Access 0 = Register access	ID[3:0] ²	Device Memory address

T11.0 1232

- For SST49LF002B, the top 8 MByte address range FFFF FFFFH to FF80 0000H and the bottom 128 KByte memory access address 000F FFFFH to 000E 0000H are decoded.
- See Table 14 for multiple device selection configuration.

TABLE 12: SST49LF003B¹ AND SST49LF004B LPC MEMORY ADDRESS BITS DEFINITION

A ₃₁ : A ₂₄ ²	A ₂₃	A ₂₂	A ₂₁ : A ₁₉	A ₁₈ : A ₀
1111 1111b or 0000 0000b	ID[3] ³	1 = Memory Access 0 = Register access	ID[2:0] ³	Device Memory address

T12.0 1232

- For the SST49LF003B, operations beyond the 3 Mbit boundary (below 20000H) are not valid (see Device Memory Map).
- For SST49LF003B/004B, the top 16 MByte address range FFFF FFFFH to FF00 0000H and the bottom 128 KByte memory access address 000F FFFFH to 000E 0000H are decoded.
- See Table 14 for multiple device selection configuration.



2 Mbit / 3 Mbit / 4 Mbit LPC Firmware Flash SST49LF002B / SST49LF003B / SST49LF004B

Data Sheet

Multiple Device Selection

Multiple LPC flash devices may be strapped to increase memory densities in a system. The four ID pins, ID[3:0], allow up to 16 devices to be attached to the same bus by using different ID strapping in a system. BIOS support, bus loading, or the attaching bridge may limit this number. The boot device must have an ID of 0000b (determined by ID[3:0]); subsequent devices use incremental numbering. Equal density must be used with multiple devices.

Multiple Device Selection for Firmware Memory Cycle

For Firmware Memory Read/Write cycles, hardware strapping values on ID[3:0] must match the values in IDSEL field. See Table 13 for multiple device selection configurations. The SST49LF00xB will compare the IDSEL field with ID[3:0]'s strapping values. If there is a mismatch, the device will ignore the remainder of the cycle.

TABLE 13: FIRMWARE MEMORY MULTIPLE DEVICE SELECTION CONFIGURATION

Device #	ID[3:0]	IDSEL
0 (Boot device)	0000	0000
1	0001	0001
2	0010	0010
3	0011	0011
4	0100	0100
5	0101	0101
6	0110	0110
7	0111	0111
8	1000	1000
9	1001	1001
10	1010	1010
11	1011	1011
12	1100	1100
13	1101	1101
14	1110	1110
15	1111	1111

T13.0 1232

Multiple Device Selection for LPC Memory Cycle

For LPC Memory Read/Write cycles, ID information is included in the address bits of every cycle. The ID bits in the address field are the inverse of the hardware strapping. See Table 14 for multiple device selection configurations. The SST49LF00xB will compare these bits with ID[3:0]'s strapping values. If there is a mismatch, the device will ignore the remainder of the cycle.

TABLE 14: LPC MEMORY MULTIPLE DEVICE SELECTION CONFIGURATION

Device #	ID[3:0]	Address Range ¹
0 (Boot device)	0000	1111
1	0001	1110
2	0010	1101
3	0011	1100
4	0100	1011
5	0101	1010
6	0110	1001
7	0111	1000
8	1000	0111
9	1001	0110
10	1010	0101
11	1011	0100
12	1100	0011
13	1101	0010
14	1110	0001
15	1111	0000

T14.0 1232

1. For SST49LF002B, A₂₁:A₁₈,
For SST49LF003B/004B, A₂₃, A₂₁:A₁₉

Write Operation Status Detection

The SST49LF00xB device provides two software means to detect the completion of a Write (Program or Erase) cycle, in order to optimize the system Write cycle time. The software detection includes two status bits: Data# Polling, D[7], and Toggle Bit, D[6]. The End-of-Write detection mode is incorporated into the Firmware Memory and LPC Memory Read cycles. The actual completion of the nonvolatile write is asynchronous with the system. Therefore, either a Data# Polling or Toggle Bit read may be simultaneous with the completion of the Write cycle. If this occurs, the system may possibly get an erroneous result, i.e., valid data may appear to conflict with either D[7] or D[6]. In order to prevent spurious rejection, if an erroneous result occurs, the software routine should include a loop to read the accessed location an additional two (2) times. If both reads are valid, then the device has completed the Write cycle, otherwise the rejection is valid.



2 Mbit / 3 Mbit / 4 Mbit LPC Firmware Flash SST49LF002B / SST49LF003B / SST49LF004B

Data Sheet

Data# Polling

When the SST49LF00xB device is in the internal Program operation, any attempt to read D[7] will produce the complement of the true data. Once the Program operation is completed, D[7] will produce true data. Note that even though D[7] may have valid data immediately following the completion of an internal Write operation, the remaining data outputs may still be invalid. Valid data will appear on the entire data bus in subsequent successive Read cycles after an interval of 1 μ s. During an internal Erase operation, any attempt to read D[7] will produce a '0'. Once the internal Erase operation is completed, D[7] will produce a '1'. Proper status will not be given using Data# Polling if the address is in the invalid range.

Toggle Bit

During the internal Program or Erase operation, any consecutive attempts to read D[6] will produce alternating 0s and 1s, i.e., toggling between 0 and 1. When the internal Program or Erase operation is completed, the toggling will stop. Note that even though D[6] may have valid data immediately following the completion of an internal Write operation, the remaining data outputs may still be invalid. Valid data will appear on the entire data bus in subsequent successive Read cycles after an interval of 1 μ s. Proper status will not be given using Toggle Bit if the address is in the invalid range.

Registers

There are three types of registers available on the SST49LF00xB, the General Purpose Inputs register, Block Locking registers, and the JEDEC ID registers. These registers appear at their respective address location in the 4 GByte system memory map. Unused register locations will read as 00H. Any attempt to read or write any register during an internal Write operation will be ignored.

General Purpose Inputs Register

The GPI_REG (General Purpose Inputs Register) passes the state of GPI[4:0] to the outputs. It is recommended that the GPI[4:0] pins are in the desired state before LFRAME# is brought low for the beginning of the bus cycle, and remain

in that state until the end of the cycle. There is no default value since this is a pass-through register. The GPI register for the boot device appears at FFBC0100H in the 4 GByte system memory map, and will appear elsewhere if the device is not the boot device. The register is not available to be read when the device is in Erase/Program operation.

Block Locking Registers

SST49LF00xB provides software controlled lock protection through a set of Block Locking registers. The Block Locking registers are Read/Write registers and are accessible through standard addressable memory locations specified in Tables 15 through 17 for boot device. These registers will appear elsewhere if the device is not the boot device. Unused register locations will read as 00H.

Write Lock: The Write-Lock bit, bit 0, controls the lock state. The default Write status of all blocks after power up is write locked. When bit 0 of the Block Locking register is set, Program and Erase operations for the corresponding block are prevented. Clearing the Write-Lock bit will unprotect the block. The Write-Lock bit must be cleared prior to starting a Program or Erase operation since it is sampled at the beginning of the operation. The Write-Lock bit functions in conjunction with the hardware Write Lock pin TBL# for the top Boot Block. When TBL# is low, it overrides the software locking scheme. The top Boot Block Locking register does not indicate the state of the TBL# pin. The Write-Lock bit functions in conjunction with the hardware WP# pin for blocks 0 to 6. When WP# is low, it overrides the software locking scheme. The Block Locking registers do not indicate the state of the WP# pin.

Lock Down: The Lock-Down bit, bit 1, controls the Block Locking registers. The default Lock Down status of all blocks upon power-up is not locked down. Once the Lock-Down bit is set, any future attempted changes to that Block Locking register will be ignored. The Lock-Down bit is only cleared upon a device reset with RST# or INIT# or power down. Current Lock Down status of a particular block can be determined by reading the corresponding Lock-Down bit.



2 Mbit / 3 Mbit / 4 Mbit LPC Firmware Flash SST49LF002B / SST49LF003B / SST49LF004B

Data Sheet

TABLE 15: BLOCK LOCKING REGISTERS FOR SST49LF002B¹

Register	Block Size	Protected Memory Address Range	Memory Map Register Address
T_BLOCK_LK	16K	3FFFFH - 3C000H	FFBF8002H
T_MINUS01_LK	16K	3BFFFFH - 38000H	FFBF0002H
	16K	37FFFFH - 34000H	
	16K	33FFFFH - 30000H	
T_MINUS02_LK	16K	2FFFFH - 2C000H	FFBE8002H
	16K	2BFFFFH - 28000H	
T_MINUS03_LK	16K	27FFFFH - 24000H	FFBE0002H
	16K	23FFFFH - 20000H	
T_MINUS04_LK	16K	1FFFFH - 1C000H	FFBD8002H
	16K	1BFFFFH - 18000H	
T_MINUS05_LK	16K	17FFFFH - 14000H	FFBD0002H
	16K	13FFFFH - 10000H	
T_MINUS06_LK	16K	0FFFFH - 0C000H	FFBC8002H
	16K	0BFFFFH - 08000H	
T_MINUS07_LK	16K	07FFFFH - 04000H	FFBC0002H
	16K	03FFFFH - 00000H	

T15.0 1232

1. Default value at power up is 01H

TABLE 16: BLOCK LOCKING REGISTERS FOR SST49LF003B/004B¹

Register	Block Size	Protected Memory Address Range		Memory Map Register Address
		SST49LF003B	SST49LF004B	
T_BLOCK_LK	64K	07FFFFH - 070000H	07FFFFH - 070000H	FFBF0002H
T_MINUS01_LK	64K	06FFFFH - 060000H	06FFFFH - 060000H	FFBE0002H
T_MINUS02_LK	64K	05FFFFH - 050000H	05FFFFH - 050000H	FFBD0002H
T_MINUS03_LK	64K	04FFFFH - 040000H	04FFFFH - 040000H	FFBC0002H
T_MINUS04_LK	64K	03FFFFH - 030000H	03FFFFH - 030000H	FFBB0002H
T_MINUS05_LK	64K	02FFFFH - 020000H	02FFFFH - 020000H	FFBA0002H
T_MINUS06_LK	64K		01FFFFH - 010000H	FFB90002H
T_MINUS07_LK	64K		00FFFFH - 000000H	FFB80002H

T16.0 1232

1. Default value at power up is 01H

TABLE 17: BLOCK LOCKING REGISTER BITS

Reserved Bit [7..2]	Lock-Down Bit [1]	Write-Lock Bit [0]	Lock Status
000000	0	0	Full Access
000000	0	1	Write Locked (Default State at Power-Up)
000000	1	0	Locked Open (Full Access Locked Down)
000000	1	1	Write Locked Down

T17.0 1232

JEDEC ID Registers

The JEDEC ID registers provide access to the manufacturer and device ID information with a single Read cycle. The JEDEC ID registers for the boot device appear at

FFBC0000H and FFBC0001H in the 4 GByte system memory map, and will appear elsewhere if the device is not the boot device. Registers are not available for read when the device is in Erase/Program operation. Refer to Table 3 for product identification information.



PARALLEL PROGRAMMING MODE

Device Operation

Commands are used to initiate the memory operation functions of the device. The data portion of the software command sequence is latched on the rising edge of WE#. During the software command sequence the row address is latched on the falling edge of R/C# and the column address is latched on the rising edge of R/C#.

Read

The Read operation of the SST49LF00xB device is controlled by OE#. OE# is the output control and is used to gate data from the output pins. Refer to the Read cycle timing diagram, Figure 15, for further details.

Reset

A V_{IL} on RST# pin initiates a device reset.

Byte-Program Operation

The SST49LF00xB device is programmed on a byte-by-byte basis. Before programming, one must ensure that the byte that is being programmed is fully erased. The Byte-Program operation is initiated by executing a four-byte command load sequence for Software Data Protection with address (PA) and data in the last bus cycle. During the Byte-Program operation, the row address (A_{10} - A_0) is latched on the falling edge of R/C# and the column Address (A_{21} - A_{11}) is latched on the rising edge of R/C#. The data bus is latched on the rising edge of WE#. The Program operation, once initiated, will be completed, within 20 μ s. See Figure 19 for timing waveforms. During the Program operation, the only valid reads are Data# Polling and Toggle Bit. During the internal Program operation, the host is free to perform additional tasks. Any commands written during the internal Program operation will be ignored.

Sector-Erase Operation

The Sector-Erase operation allows the system to erase the device on a sector-by-sector basis. The sector architecture is based on uniform sector size of 4 KByte. The Sector-Erase operation is initiated by executing a six-byte command load sequence for Software Data Protection with Sector-Erase command (30H) and sector address (SA) in the last bus cycle. The internal Erase operation begins after the sixth WE# pulse. The End-of-Erase can be determined using either Data# Polling or Toggle Bit methods. See Figure 20 for Sector-Erase timing waveforms. Any commands written during the Sector-Erase operation will be ignored.

Block-Erase Operation

The Block-Erase operation allows the system to erase the device in any of the 8 uniform 64 KByte blocks for the SST49LF004B, 6 uniform 64 KByte blocks for the SST49LF003B, and 8 uniform 16 KByte blocks for the SST49LF002B. The Block-Erase operation is initiated by executing a six-byte command load sequence for Software Data Protection with Block-Erase command (50H) and block address (BA) in the last bus cycle. The internal Block-Erase operation begins after the sixth WE# pulse. The End-of-Erase can be determined using either Data# Polling or Toggle Bit methods. See Figure 21 for timing waveforms. Any commands written during the Block-Erase operation will be ignored.

Chip-Erase Operation

The SST49LF00xB device provides a Chip-Erase operation only in PP mode, which allows the user to erase the entire memory array to the '1's state. This is useful when the entire device must be quickly erased. The Chip-Erase operation is initiated by executing a six-byte Software Data Protection command sequence with Chip-Erase command (10H) with address 5555H in the last bus cycle. The internal Erase operation begins with the rising edge of the sixth WE#. During the internal Erase operation, the only valid reads are Toggle Bit or Data# Polling. See Table 19 for the command sequence, Figure 22 for timing diagram. Any commands written during the Chip-Erase operation will be ignored.

Write Operation Status Detection

The SST49LF00xB device provides two software means to detect the completion of a Write (Program or Erase) cycle, in order to optimize the system Write cycle time. The software detection includes two status bits: Data# Polling (DQ_7) and Toggle Bit (DQ_6). The End-of-Write detection mode is enabled after the rising edge of WE# which initiates the internal Program or Erase operation.

The actual completion of the nonvolatile write is asynchronous with the system; therefore, either a Data# Polling or Toggle Bit read may be simultaneous with the completion of the Write cycle. If this occurs, the system may possibly get an erroneous result, i.e., valid data may appear to conflict with either DQ_7 or DQ_6 . In order to prevent spurious rejection, if an erroneous result occurs, the software routine should include a loop to read the accessed location an additional two (2) times. If both reads are valid, the device has completed the Write cycle, otherwise the rejection is valid.



2 Mbit / 3 Mbit / 4 Mbit LPC Firmware Flash SST49LF002B / SST49LF003B / SST49LF004B

Data Sheet

TABLE 18: OPERATION MODES SELECTION (PP MODE)

Mode	RST#	OE#	WE#	DQ	Address
Read	V _{IH}	V _{IL}	V _{IH}	D _{OUT}	A _{IN}
Program	V _{IH}	V _{IH}	V _{IL}	D _{IN}	A _{IN}
Erase	V _{IH}	V _{IH}	V _{IL}	X ¹	Sector or Block address, XXH for Chip-Erase
Reset	V _{IL}	X	X	High Z	X
Write Inhibit	V _{IH}	V _{IL}	V _{IH}	High Z/D _{OUT}	X
Product Identification	V _{IH}	V _{IL}	V _{IH}	Manufacturer's ID (BFH) Device ID ²	A _{MS} ³ - A ₁ = V _{IL} , A ₀ = V _{IL} A _{MS} - A ₁ = V _{IL} , A ₀ = V _{IH}

T18.1 1232

1. X can be V_{IL} or V_{IH}, but no other value.
2. Device ID 57H for SST49LF002B, 1BH for SST49LF003B, and 60H for SST49LF004B
3. A_{MS} = Most significant address
A_{MS} = A₁₇ for SST49LF002B and A₁₈ for SST49LF003B/004B

Data# Polling (DQ₇)

When the SST49LF00xB device is in the internal Program operation, any attempt to read DQ₇ will produce the complement of the true data. Once the Program operation is completed, DQ₇ will produce true data. Note that even though DQ₇ may have valid data immediately following the completion of an internal Write operation, the remaining data outputs may still be invalid. Valid data will appear on the entire data bus in subsequent successive Read cycles after an interval of 1 μs. During an internal Erase operation, any attempt to read DQ₇ will produce a '0'. Once the internal Erase operation is completed, DQ₇ will produce a '1'. Data# Polling is valid after the rising edge of the fourth WE# pulse for the Program operation. For Sector-Erase, Block-Erase, or Chip-Erase, the Data# Polling is valid after the rising edge of the sixth WE# pulse. See Figure 17 for Data# Polling timing diagram. Proper status will not be given using Data# Polling if the address is in the invalid range.

Toggle Bit (DQ₆)

During the internal Program or Erase operation, any consecutive attempts to read DQ₆ will produce alternating '0's and '1's, i.e., toggling between 0 and 1. When the internal Program or Erase operation is completed, the toggling will stop. The device is then ready for the next operation. The Toggle Bit is valid after the rising edge of the fourth WE# pulse for Program operation. For Sector-Erase, Block-Erase or Chip-Erase, the Toggle Bit is valid after the rising edge of the sixth WE# pulse. See Figure 18 for Toggle Bit timing diagram.

Data Protection (PP Mode)

The SST49LF00xB device provides both hardware and software features to protect nonvolatile data from inadvertent writes.

Hardware Data Protection

Noise/Glitch Protection: A WE# pulse of less than 5 ns will not initiate a Write cycle.

V_{DD} Power Up/Down Detection: The Write operation is inhibited when V_{DD} is less than 1.5V.

Write Inhibit Mode: Forcing OE# low, WE# high will inhibit the Write operation. This prevents inadvertent writes during power-up or power-down.

Software Data Protection (SDP)

The SST49LF00xB provides the JEDEC approved Software Data Protection scheme for all data alteration operation, i.e., Program and Erase. Any Program operation requires the inclusion of a series of three-byte sequence. The three-byte load sequence is used to initiate the Program operation, providing optimal protection from inadvertent Write operations, e.g., during the system power-up or power down. Any Erase operation requires the inclusion of a five-byte load sequence.



SOFTWARE COMMAND SEQUENCE

TABLE 19: SOFTWARE COMMAND SEQUENCE

Command Sequence	1st ¹ Cycle		2nd ¹ Cycle		3rd ¹ Cycle		4th ¹ Cycle		5th ¹ Cycle		6th ¹ Cycle	
	Addr ²	Data	Addr ²	Data	Addr ²	Data	Addr ²	Data	Addr ²	Data	Addr ²	Data
Byte-Program	YYYY 5555H	AAH	YYYY 2AAAH	55H	YYYY 5555H	A0H	PA ³	Data				
Sector-Erase	YYYY 5555H	AAH	YYYY 2AAAH	55H	YYYY 5555H	80H	YYYY 5555H	AAH	YYYY 2AAAH	55H	SA _x ⁴	30H
Block-Erase	YYYY 5555H	AAH	YYYY 2AAAH	55H	YYYY 5555H	80H	YYYY 5555H	AAH	YYYY 2AAAH	55H	BA _x ⁵	50H
Chip-Erase ⁶	YYYY 5555H	AAH	YYYY 2AAAH	55H	YYYY 5555H	80H	YYYY 5555H	AAH	YYYY 2AAAH	55H	YYYY 5555H	10H
Software ID Entry ^{7,8}	YYYY 5555H	AAH	YYYY 2AAAH	55H	YYYY 5555H	90H	Read ID					
Software ID Exit ⁹	XXXX XXXXH	F0H										
Software ID Exit ⁹	YYYY 5555H	AAH	YYYY 2AAAH	55H	YYYY 5555H	F0H						

T19.1 1232

- LPC mode use consecutive Write cycles to complete a command sequence; PP mode use consecutive bus cycles to complete a command sequence.
- YYYY = A[31:16]. In LPC mode, during SDP command sequence, YYYY must be within valid memory address range, see Address out of range section for details. In PP mode, YYYY can be V_{IL} or V_{IH}, but no other value.
- PA = Program Byte address
- SA_x for Sector-Erase Address
- BA_x for Block-Erase Address
- Chip-Erase is supported in PP mode only
- SST Manufacturer's ID = BFH, is read with A_{MS}-A₀ = 0.
 A_{MS} = Most significant address
 A_{MS} = A₁₇ for SST49LF002B and A₁₈ for SST49LF003B/004B
 With A₁₇-A₁ = 0; 49LF002B Device ID = 57H, is read with A₀ = 1.
 With A₁₈-A₁ = 0; 49LF003B Device ID = 1BH, is read with A₀ = 1.
 With A₁₈-A₁ = 0; 49LF004B Device ID = 60H, is read with A₀ = 1.
- The device does not remain in Software Product ID mode if powered down.
- Both Software ID Exit operations are equivalent



ELECTRICAL SPECIFICATIONS

The AC and DC specifications for the LPC interface signals (LA0[3:0], LFRAME, LCLK and RST#) are defined in Section 4.2.2.4 of the PCI local bus specification, Rev. 2.1. Refer to Table 20 for the DC voltage and current specifications. Refer to Tables 24 through 30 for the AC timing specifications for Clock, Read, Write, and Reset operations.

Absolute Maximum Stress Ratings (Applied conditions greater than those listed under “Absolute Maximum Stress Ratings” may cause permanent damage to the device. This is a stress rating only and functional operation of the device at these conditions or conditions greater than those defined in the operational sections of this data sheet is not implied. Exposure to absolute maximum stress rating conditions may affect device reliability.)

Temperature Under Bias	-55°C to +125°C
Storage Temperature	-65°C to +150°C
D.C. Voltage on Any Pin to Ground Potential	-0.5V to $V_{DD}+0.5V$
Transient Voltage (<20 ns) on Any Pin to Ground Potential ¹	-2.0V to $V_{DD}+2.0V$
Package Power Dissipation Capability ($T_A=25^\circ C$)	1.0W
Surface Mount Solder Reflow Temperature:	“with-Pb” units ² : 240°C for 3 seconds
.....	“non-Pb” units: 260°C for 3 seconds
Output Short Circuit Current ³	50 mA

1. Do not violate processor or chipset limitations on the INIT# pin
2. Certain “with-Pb” package types are capable of 260°C for 3 seconds; please consult the factory for the latest information.
3. Outputs shorted for no more than one second. No more than one output shorted at a time.

OPERATING RANGE

Range	Ambient Temp	V_{DD}
Commercial	0°C to +85°C	3.0-3.6V

AC CONDITIONS OF TEST¹

Input Rise/Fall Time	3 ns
Output Load	$C_L = 30$ pF
See Figures 25 and 26	

1. LPC interface signals use PCI load test condition



DC Characteristics

TABLE 20: DC OPERATING CHARACTERISTICS (ALL INTERFACES)

Symbol	Parameter	Limits			Test Conditions
		Min	Max	Units	
I _{DD} ¹	Active V _{DD} Current				LCLK (LPC mode) and Address Input (PP mode)=V _{ILT} /V _{IHT} at f=33 MHz (LPC mode) or 1/TRC _{min} (PP mode) All other inputs=V _{IL} or V _{IH}
	Read Write ²		12 30	mA mA	All outputs = open, V _{DD} =V _{DD} Max See Note 2
I _{SB}	Standby V _{DD} Current (LPC Interface)		100	μA	LCLK (LPC mode) and Address Input (PP mode)=V _{ILT} /V _{IHT} at f=33 MHz (LPC mode) or 1/TRC _{min} (PP mode) LFRAME#=0.9 V _{DD} , f=33 MHz, CE#=0.9 V _{DD} , V _{DD} =V _{DD} Max, All other inputs ≥ 0.9 V _{DD} or ≤ 0.1 V _{DD}
I _{RY} ³	Input Current for Mode and ID[3:0] pins		10	mA	LCLK (LPC mode) and Address Input (PP mode)=V _{ILT} /V _{IHT} at f=33 MHz (LPC mode) or 1/TRC _{min} (PP mode) LFRAME#=V _{IL} , f=33 MHz, V _{DD} =V _{DD} Max All other inputs ≥ 0.9 V _{DD} or ≤ 0.1 V _{DD}
I _I	Input Leakage Current for Mode and ID[3:0] pins		200	μA	V _{IN} =GND to V _{DD} , V _{DD} =V _{DD} Max
I _{LI}	Input Leakage Current		1	μA	V _{IN} =GND to V _{DD} , V _{DD} =V _{DD} Max
I _{LO}	Output Leakage Current		1	μA	V _{OUT} =GND to V _{DD} , V _{DD} =V _{DD} Max
V _{IHI}	INIT# Input High Voltage	1.1	V _{DD} +0.5	V	V _{DD} =V _{DD} Max
V _{ILI}	INIT# Input Low Voltage	-0.5	0.4	V	V _{DD} =V _{DD} Min
V _{IL}	Input Low Voltage	-0.5	0.3 V _{DD}	V	V _{DD} =V _{DD} Min
V _{IH}	Input High Voltage	0.5 V _{DD}	V _{DD} +0.5	V	V _{DD} =V _{DD} Max
V _{OL}	Output Low Voltage		0.1 V _{DD}	V	
V _{OH}	Output High Voltage	0.9 V _{DD}		V	

T20.2 1232

1. I_{DD} active while a Read or Write (Program or Erase) operation is in progress.
2. For PP mode: OE# = WE# = V_{IH}; For LPC mode: f = 1/TRC_{min}, LFRAME# = V_{IH}.
3. The device is in Ready mode when no activity is on the LPC bus.

TABLE 21: RECOMMENDED SYSTEM POWER-UP TIMINGS

Symbol	Parameter	Minimum	Units
T _{PU-READ} ¹	Power-up to Read Operation	100	μs
T _{PU-WRITE} ¹	Power-up to Write Operation	100	μs

T21.0 1232

1. This parameter is measured only for initial qualification and after a design or process change that could affect this parameter

TABLE 22: PIN CAPACITANCE (V_{DD}=3.3V, T_A=25 °C, f=1 Mhz, other pins open)

Parameter	Description	Test Condition	Maximum
C _{I/O} ¹	I/O Pin Capacitance	V _{I/O} =0V	12 pF
C _{IN} ¹	Input Capacitance	V _{IN} =0V	12 pF

T22.0 1232

1. This parameter is measured only for initial qualification and after a design or process change that could affect this parameter.



2 Mbit / 3 Mbit / 4 Mbit LPC Firmware Flash SST49LF002B / SST49LF003B / SST49LF004B

Data Sheet

TABLE 23: RELIABILITY CHARACTERISTICS

Symbol	Parameter	Minimum Specification	Units	Test Method
N_{END}^1	Endurance	10,000	Cycles	JEDEC Standard A117
T_{DR}^1	Data Retention	100	Years	JEDEC Standard A103
I_{LTH}^1	Latch Up	$100 + I_{DD}$	mA	JEDEC Standard 78

T23.0 1232

1. This parameter is measured only for initial qualification and after a design or process change that could affect this parameter.

TABLE 24: CLOCK TIMING PARAMETERS (LPC MODE)

Symbol	Parameter	Min	Max	Units
T_{CYC}	LCLK Cycle Time	30		ns
T_{HIGH}	LCLK High Time	11		ns
T_{LOW}	LCLK Low Time	11		ns
-	LCLK Slew Rate (peak-to-peak)	1	4	V/ns
-	RST# or INIT# Slew Rate	50		mV/ns

T24.0 1232

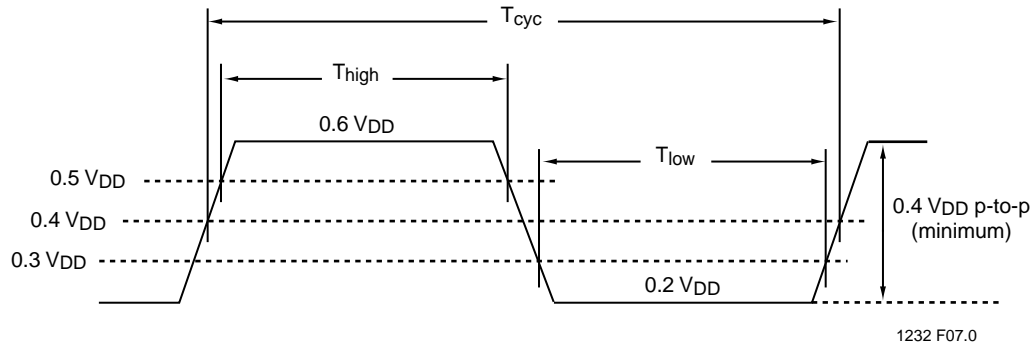


FIGURE 10: LCLK WAVEFORM (LPC MODE)



**2 Mbit / 3 Mbit / 4 Mbit LPC Firmware Flash
SST49LF002B / SST49LF003B / SST49LF004B**

Data Sheet

AC Characteristics (LPC Mode)

TABLE 25: READ/WRITE CYCLE TIMING PARAMETERS, $V_{DD}=3.0-3.6V$ (LPC MODE)

Symbol	Parameter	Min	Max	Units
T_{CYC}	Clock Cycle Time	30		ns
T_{SU}	Data Set Up Time to Clock Rising	7		ns
T_{DH}	Clock Rising to Data Hold Time	0		ns
T_{VAL}^1	Clock Rising to Data Valid	2	11	ns
T_{BP}	Byte Programming Time		20	μs
T_{SE}	Sector-Erase Time		25	ms
T_{BE}	Block-Erase Time		25	ms
T_{ON}	Clock Rising to Active (Float to Active Delay)	2		ns
T_{OFF}	Clock Rising to Inactive (Active to Float Delay)		28	ns

T25.0 1232

1. Minimum and maximum times have different loads. See PCI spec

TABLE 26: AC INPUT/OUTPUT SPECIFICATIONS (LPC MODE)

Symbol	Parameter	Min	Max	Units	Conditions
$I_{OH}(AC)$	Switching Current High (Test Point)	$-12 V_{DD}$	Equation C ¹	mA	$0 < V_{OUT} \leq 0.3V_{DD}$
		$-17.1(V_{DD}-V_{OUT})$		mA	$0.3V_{DD} < V_{OUT} < 0.9V_{DD}$
				mA	$0.7V_{DD} < V_{OUT} < V_{DD}$
			$-32 V_{DD}$	mA	$V_{OUT} = 0.7V_{DD}$
$I_{OL}(AC)$	Switching Current Low (Test Point)	$16 V_{DD}$	Equation D ¹	mA	$V_{DD} > V_{OUT} \geq 0.6V_{DD}$
		$26.7 V_{OUT}$		mA	$0.6V_{DD} > V_{OUT} > 0.1V_{DD}$
				mA	$0.18V_{DD} > V_{OUT} > 0$
			$38 V_{DD}$	mA	$V_{OUT} = 0.18V_{DD}$
I_{CL}	Low Clamp Current	$-25+(V_{IN}+1)/0.015$		mA	$-3 < V_{IN} \leq -1$
I_{CH}	High Clamp Current	$25+(V_{IN}-V_{DD}-1)/0.015$		mA	$V_{DD}+4 > V_{IN} \geq V_{DD}+1$
slewr	Output Rise Slew Rate	1	4	V/ns	$0.2V_{DD}-0.6V_{DD}$ load
slewf	Output Fall Slew Rate	1	4	V/ns	$0.6V_{DD}-0.2V_{DD}$ load

T26.0 1232

1. See PCI spec.

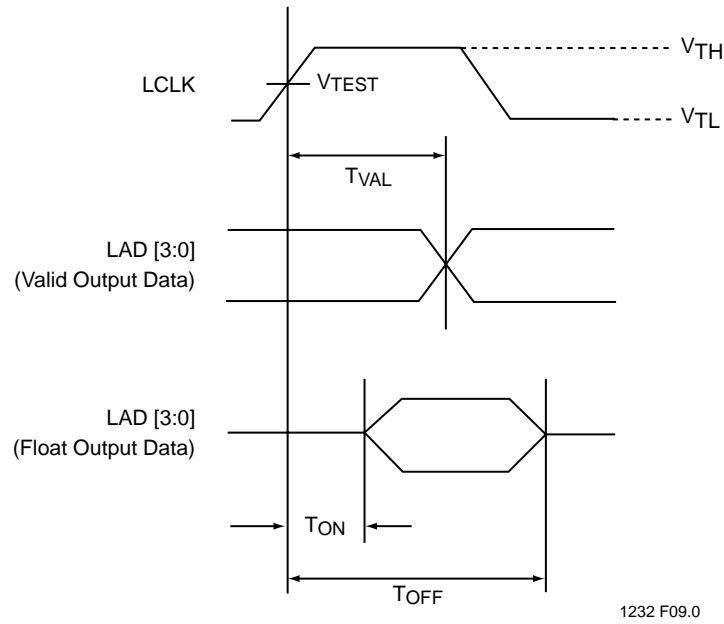


FIGURE 11: OUTPUT TIMING PARAMETERS (LPC MODE)

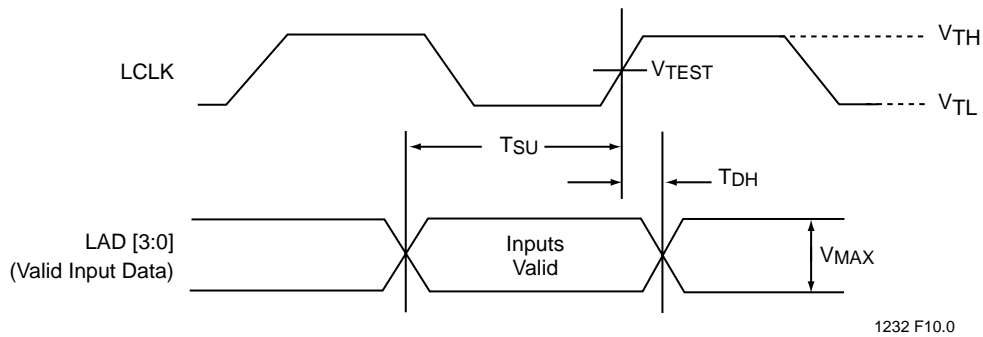


FIGURE 12: INPUT TIMING PARAMETERS (LPC MODE)



**2 Mbit / 3 Mbit / 4 Mbit LPC Firmware Flash
SST49LF002B / SST49LF003B / SST49LF004B**

Data Sheet

TABLE 27: INTERFACE MEASUREMENT CONDITION PARAMETERS (LPC MODE)

Symbol	Value	Units
V_{TH}^1	0.6 V_{DD}	V
V_{TL}^1	0.2 V_{DD}	V
V_{TEST}	0.4 V_{DD}	V
V_{MAX}^1	0.4 V_{DD}	V
Input Signal Edge Rate	1	V/ns

T27.0 1232

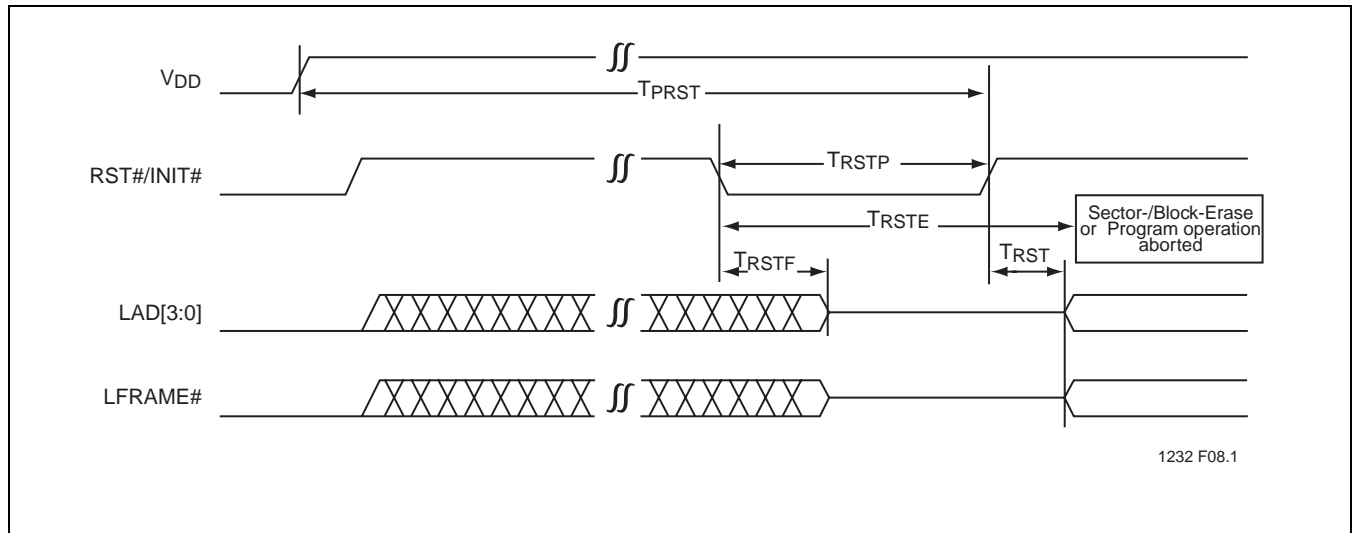
1. The input test environment is done with 0.1 V_{DD} of overdrive over V_{IH} and V_{IL} . Timing parameters must be met with no more overdrive than this. V_{MAX} specifies the maximum peak-to-peak waveform allowed for measuring input timing. Production testing may use different voltage values, but must correlate results back to these parameters.

TABLE 28: RESET TIMING PARAMETERS, $V_{DD}=3.0-3.6V$ (LPC MODE)

Symbol	Parameter	Min	Max	Units
T_{PRST}	V_{DD} stable to Reset High	100		μs
T_{RSTP}	RST# Pulse Width	100		ns
T_{RSTF}	RST# Low to Output Float		48	ns
T_{RST}^1	RST# High to LFRAME# Low	5		LCLK cycles
T_{RSTE}	RST# Low to reset during Sector-/Block-Erase or Program		10	μs

T28.0 1232

1. There will be a latency due to T_{RSTE} if a reset procedure is performed during a Program or Erase operation,



1232 F08.1

FIGURE 13: RESET TIMING DIAGRAM (LPC MODE)



2 Mbit / 3 Mbit / 4 Mbit LPC Firmware Flash SST49LF002B / SST49LF003B / SST49LF004B

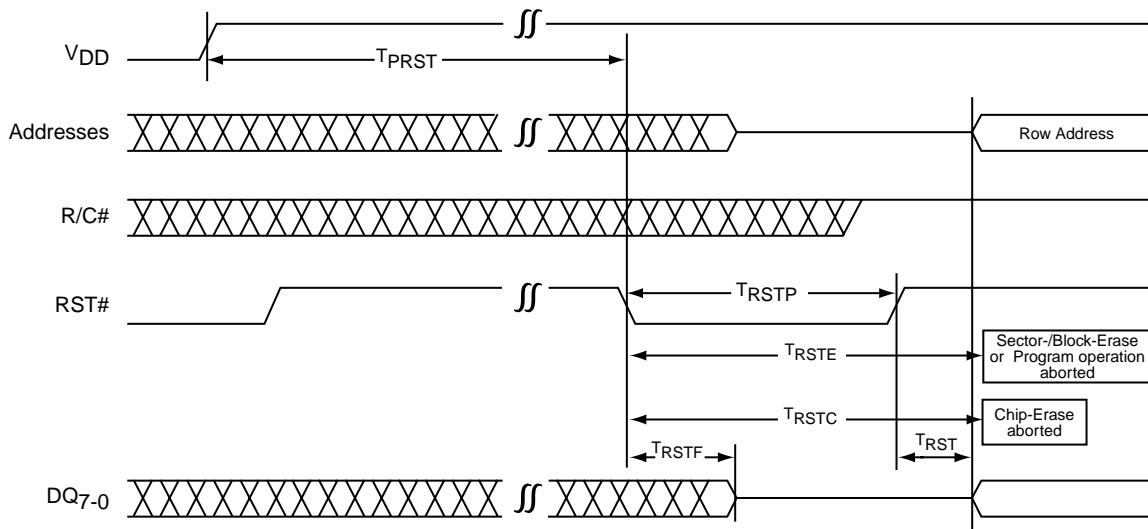
Data Sheet

TABLE 29: RESET TIMING PARAMETERS, $V_{DD}=3.0-3.6V$ (PP MODE)

Symbol	Parameter	Min	Max	Units
T_{PRST}	V_{DD} stable to Reset Low	1		ms
T_{RSTP}	RST# Pulse Width	100		ns
T_{RSTF}	RST# Low to Output Float		48	ns
T_{RST}^1	RST# High to Row Address Setup	1		μs
T_{RSTE}	RST# Low to reset during Sector-/Block-Erase or Program		10	μs
T_{RSTC}	RST# Low to reset during Chip-Erase		50	μs

T29.0 1232

1. There will be a reset latency of T_{RSTE} or T_{RSTC} if a reset procedure is performed during a programming or erase operational.



1232 F11.0

FIGURE 14: RESET TIMING DIAGRAM (PP MODE)



AC Characteristics (PP Mode)

TABLE 30: READ CYCLE TIMING PARAMETERS, $V_{DD}=3.0-3.6V$ (PP MODE)

Symbol	Parameter	Min	Max	Units
T_{RC}	Read Cycle Time	270		ns
T_{RST}	RST# High to Row Address Setup	1		μs
T_{AS}	R/C# Address Set-up Time	45		ns
T_{AH}	R/C# Address Hold Time	45		ns
T_{AA}	Address Access Time		120	ns
T_{OE}	Output Enable Access Time		60	ns
T_{OLZ}	OE# Low to Active Output	0		ns
T_{OHZ}	OE# High to High-Z Output		35	ns
T_{OH}	Output Hold from Address Change	0		ns

T30.0 1232

TABLE 31: PROGRAM/ERASE CYCLE TIMING PARAMETERS, $V_{DD}=3.0-3.6V$ (PP MODE)

Symbol	Parameter	Min	Max	Units
T_{RST}	RST# High to Row Address Setup	1		μs
T_{AS}	R/C# Address Setup Time	45		ns
T_{AH}	R/C# Address Hold Time	45		ns
T_{CWH}	R/C# to Write Enable High Time	50		ns
T_{OES}	OE# High Setup Time	20		ns
T_{OEH}	OE# High Hold Time	20		ns
T_{OEP}	OE# to Data# Polling Delay		60	ns
T_{OET}	OE# to Toggle Bit Delay		60	ns
T_{WP}	WE# Pulse Width	100		ns
T_{WPH}	WE# Pulse Width High	100		ns
T_{DS}	Data Setup Time	50		ns
T_{DH}	Data Hold Time	5		ns
T_{IDA}	Software ID Access and Exit Time		150	ns
T_{BP}	Byte Programming Time		20	μs
T_{SE}	Sector-Erase Time		25	ms
T_{BE}	Block-Erase Time		25	ms
T_{SCE}	Chip-Erase Time		100	ms

T31.0 1232

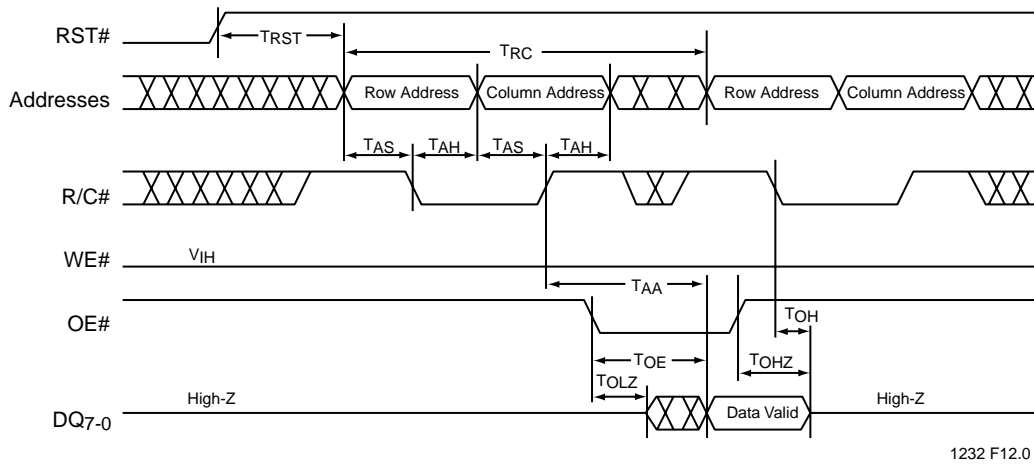


FIGURE 15: READ CYCLE TIMING DIAGRAM (PP MODE)

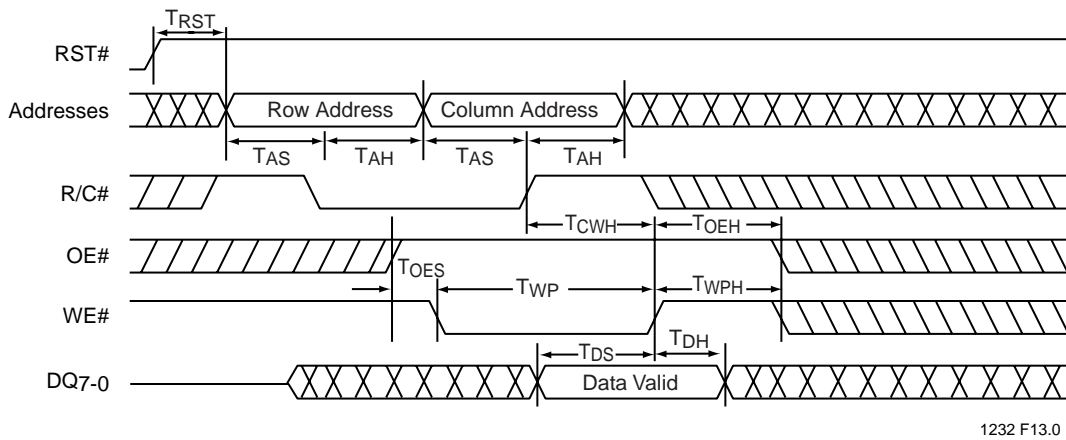
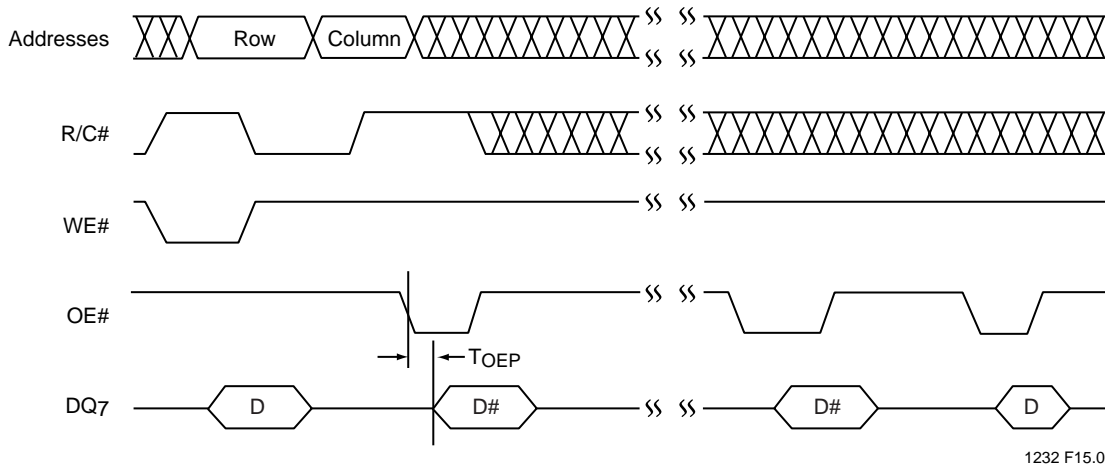
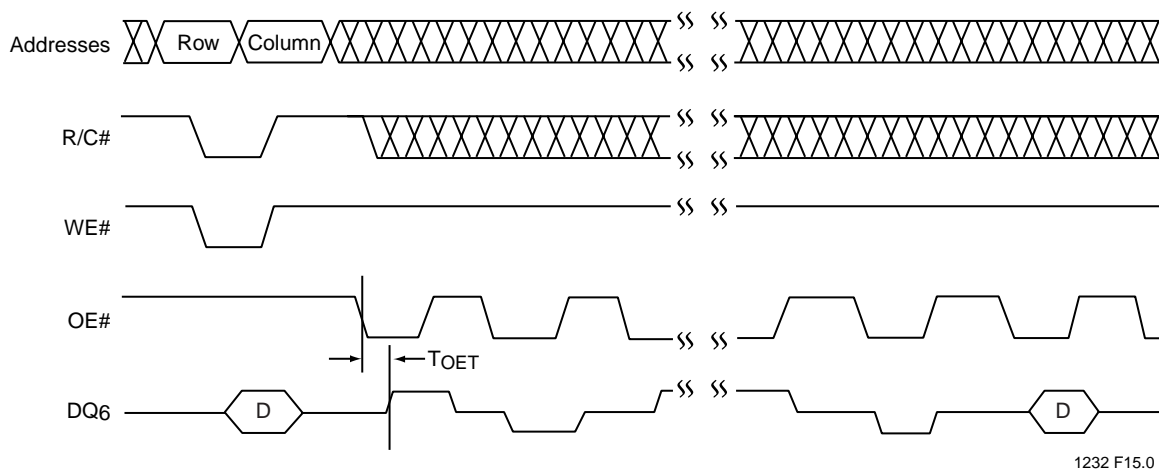


FIGURE 16: WRITE CYCLE TIMING DIAGRAM (PP MODE)



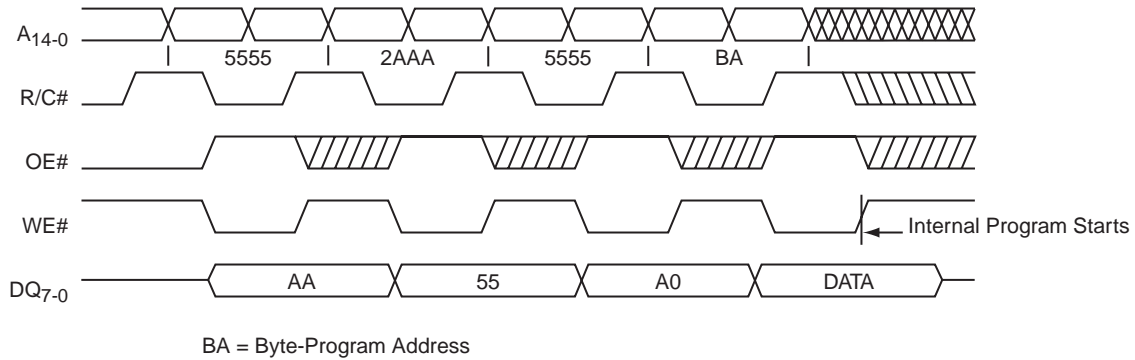
1232 F15.0

FIGURE 17: DATA# POLLING TIMING DIAGRAM (PP MODE)



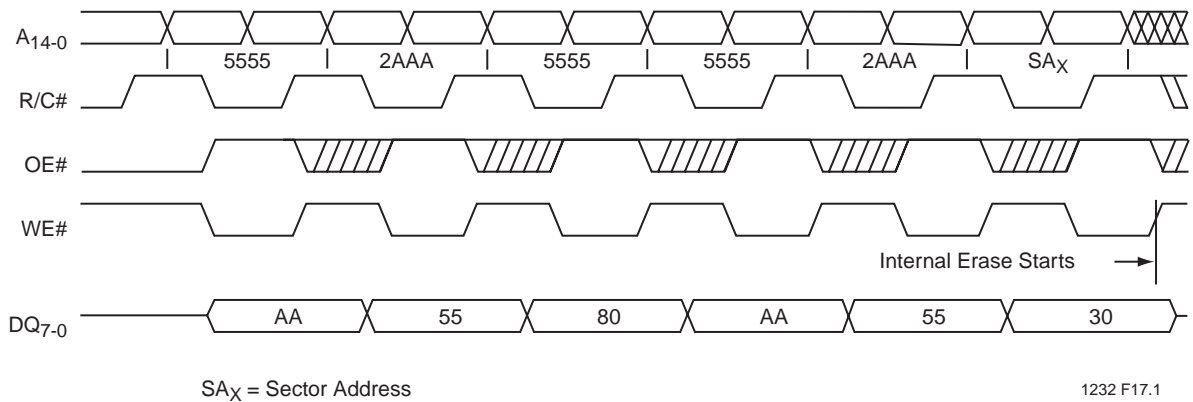
1232 F15.0

FIGURE 18: TOGGLE BIT TIMING DIAGRAM (PP MODE)



1232 F16.1

FIGURE 19: BYTE-PROGRAM TIMING DIAGRAM (PP MODE)



1232 F17.1

FIGURE 20: SECTOR-ERASE TIMING DIAGRAM (PP MODE)

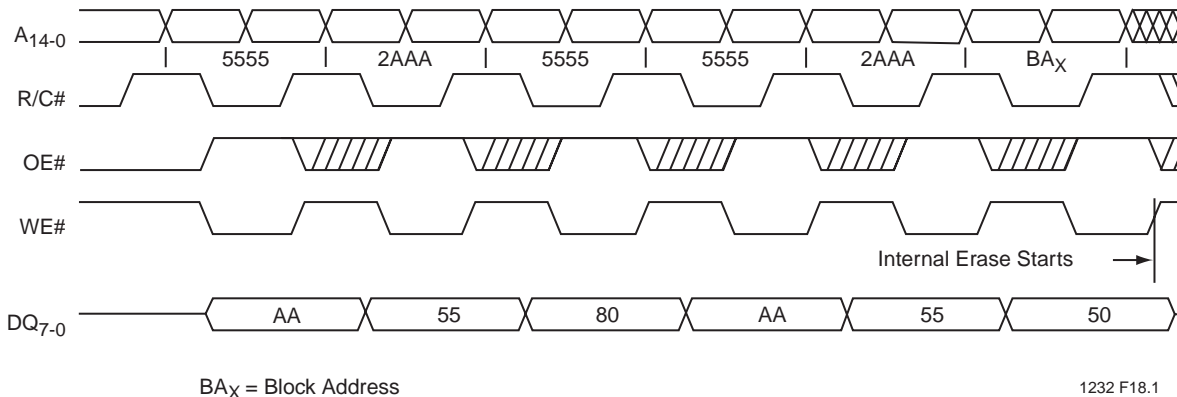


FIGURE 21: BLOCK-ERASE TIMING DIAGRAM (PP MODE)

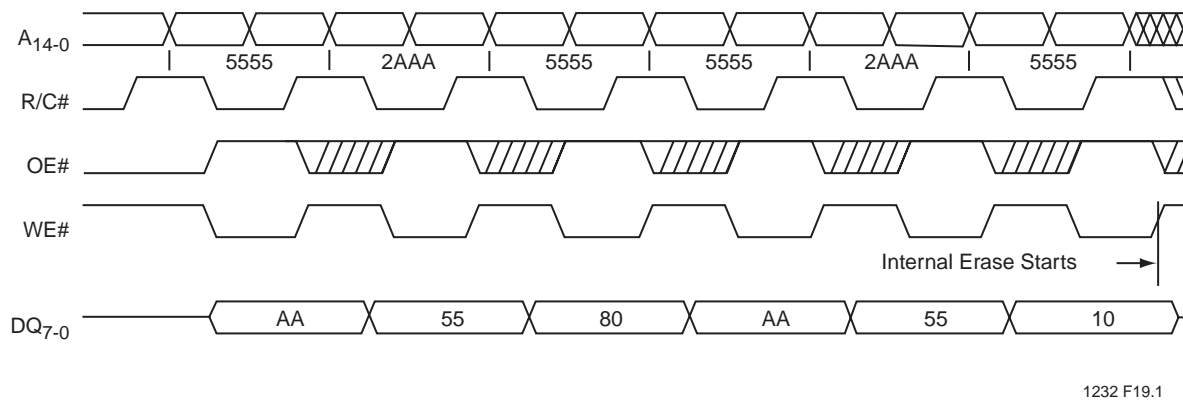
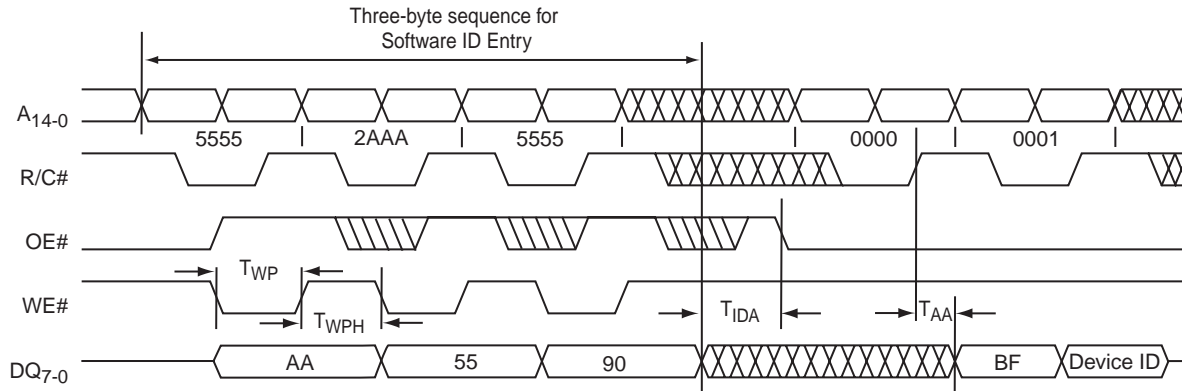


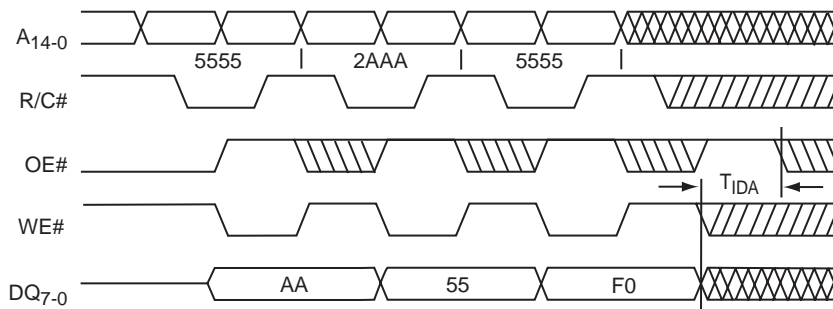
FIGURE 22: CHIP-ERASE TIMING DIAGRAM (PP MODE)



Device ID = 57H for SST49LF002B, 1BH for SST49LF003B, 60H for SST49LF004B

1232 F20.1

FIGURE 23: SOFTWARE ID ENTRY AND READ (PP MODE)



1232 F21.1

FIGURE 24: SOFTWARE ID EXIT (PP MODE)

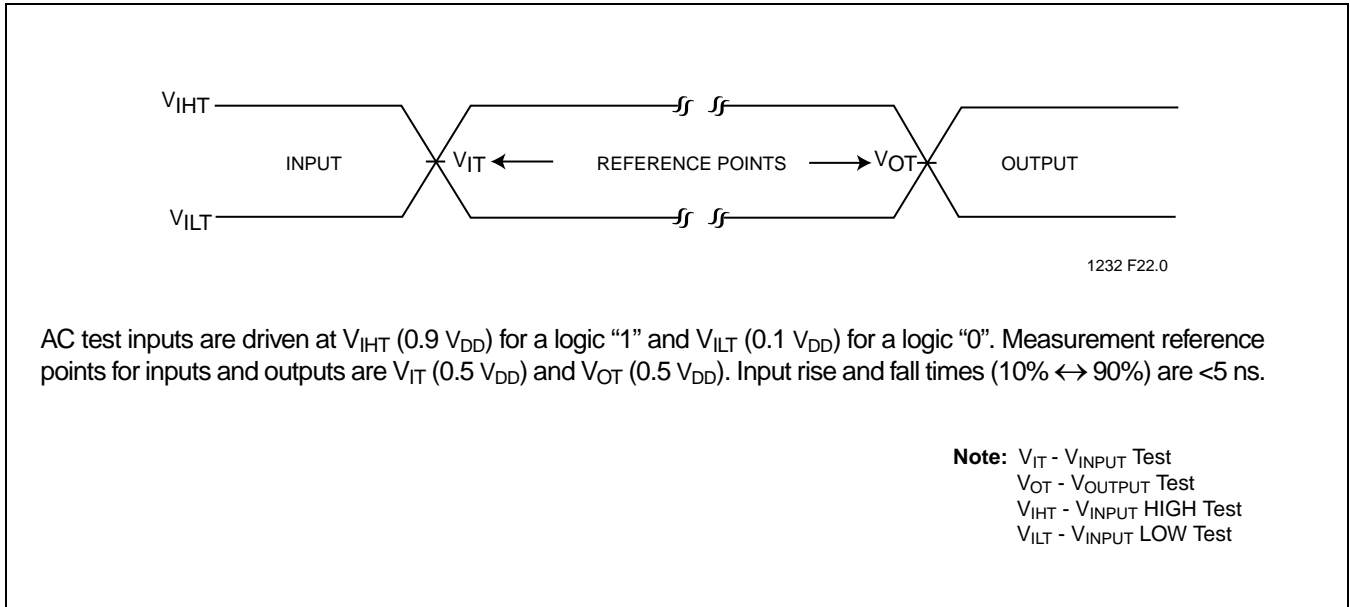


FIGURE 25: AC INPUT/OUTPUT REFERENCE WAVEFORMS

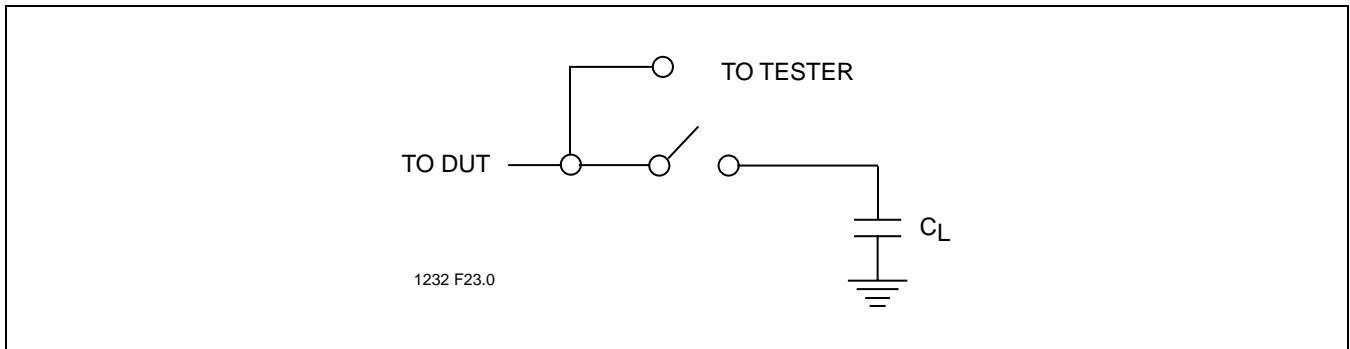


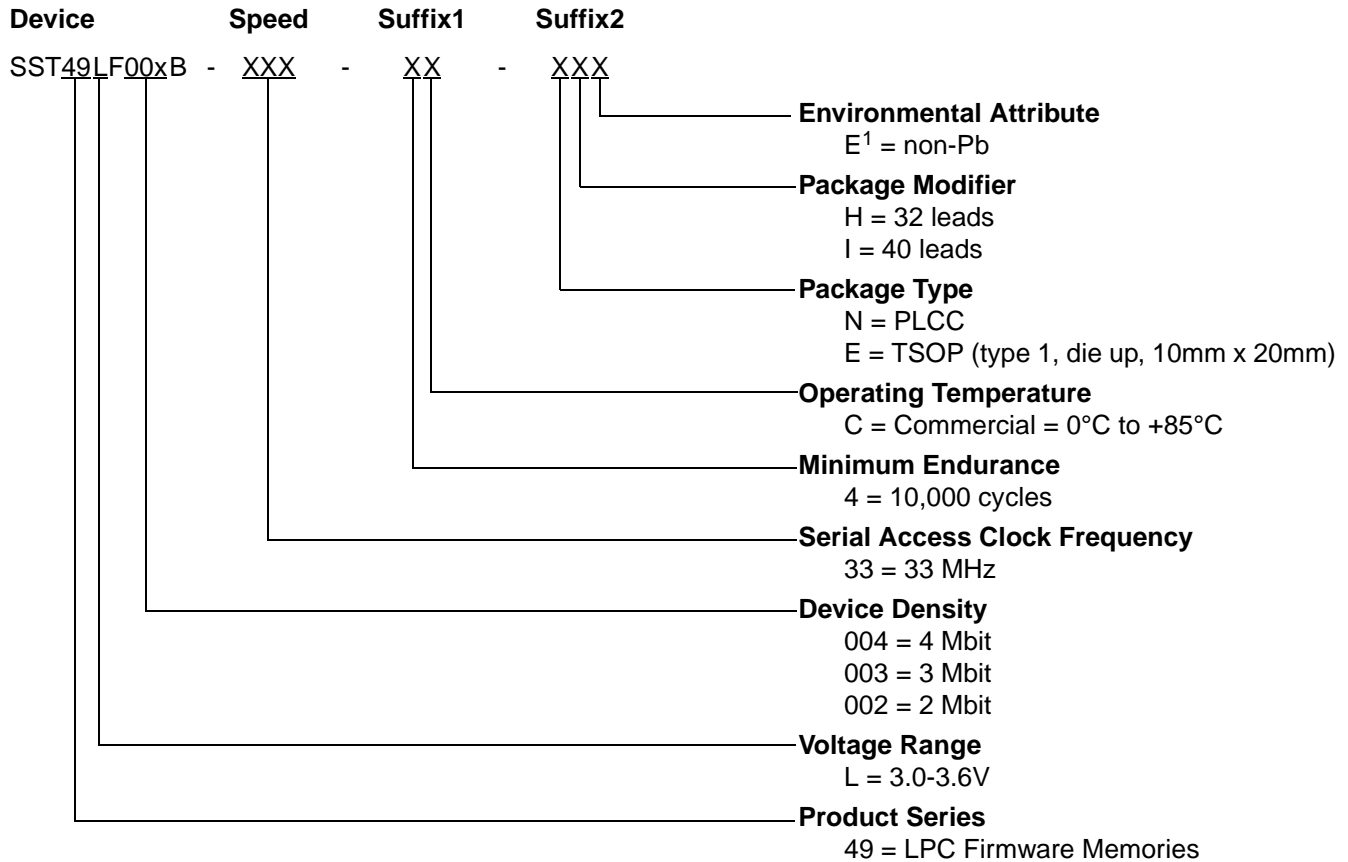
FIGURE 26: A TEST LOAD EXAMPLE



2 Mbit / 3 Mbit / 4 Mbit LPC Firmware Flash SST49LF002B / SST49LF003B / SST49LF004B

Data Sheet

PRODUCT ORDERING INFORMATION



1. Environmental suffix "E" denotes non-Pb solder.
SST non-Pb solder devices are "RoHS Compliant".

Valid combinations for SST49LF002B

SST49LF002B-33-4C-NH
SST49LF002B-33-4C-NHE

Valid combinations for SST49LF003B

SST49LF003B-33-4C-NH
SST49LF003B-33-4C-NHE

Valid combinations for SST49LF004B

SST49LF004B-33-4C-EI SST49LF004B-33-4C-NH
SST49LF004B-33-4C-EIE SST49LF004B-33-4C-NHE

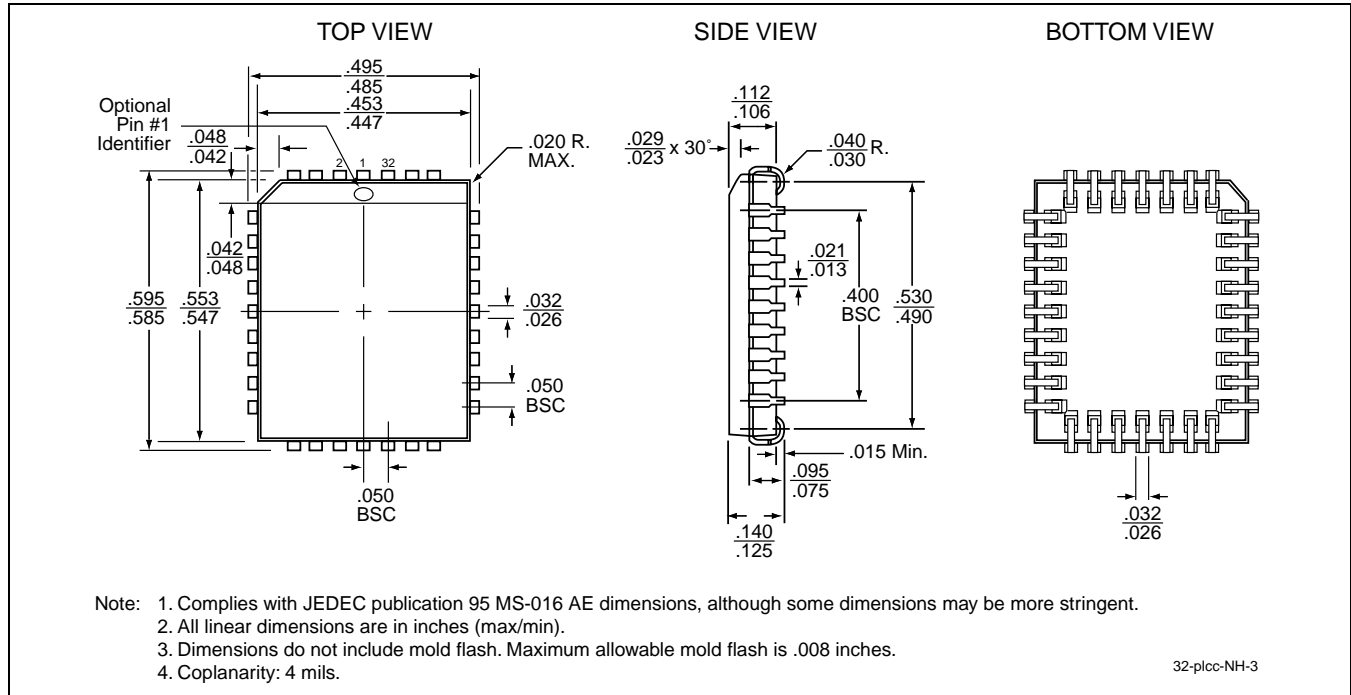
Note: Valid combinations are those products in mass production or will be in mass production. Consult your SST sales representative to confirm availability of valid combinations and to determine availability of new combinations.



2 Mbit / 3 Mbit / 4 Mbit LPC Firmware Flash SST49LF002B / SST49LF003B / SST49LF004B

Data Sheet

PACKAGING DIAGRAMS

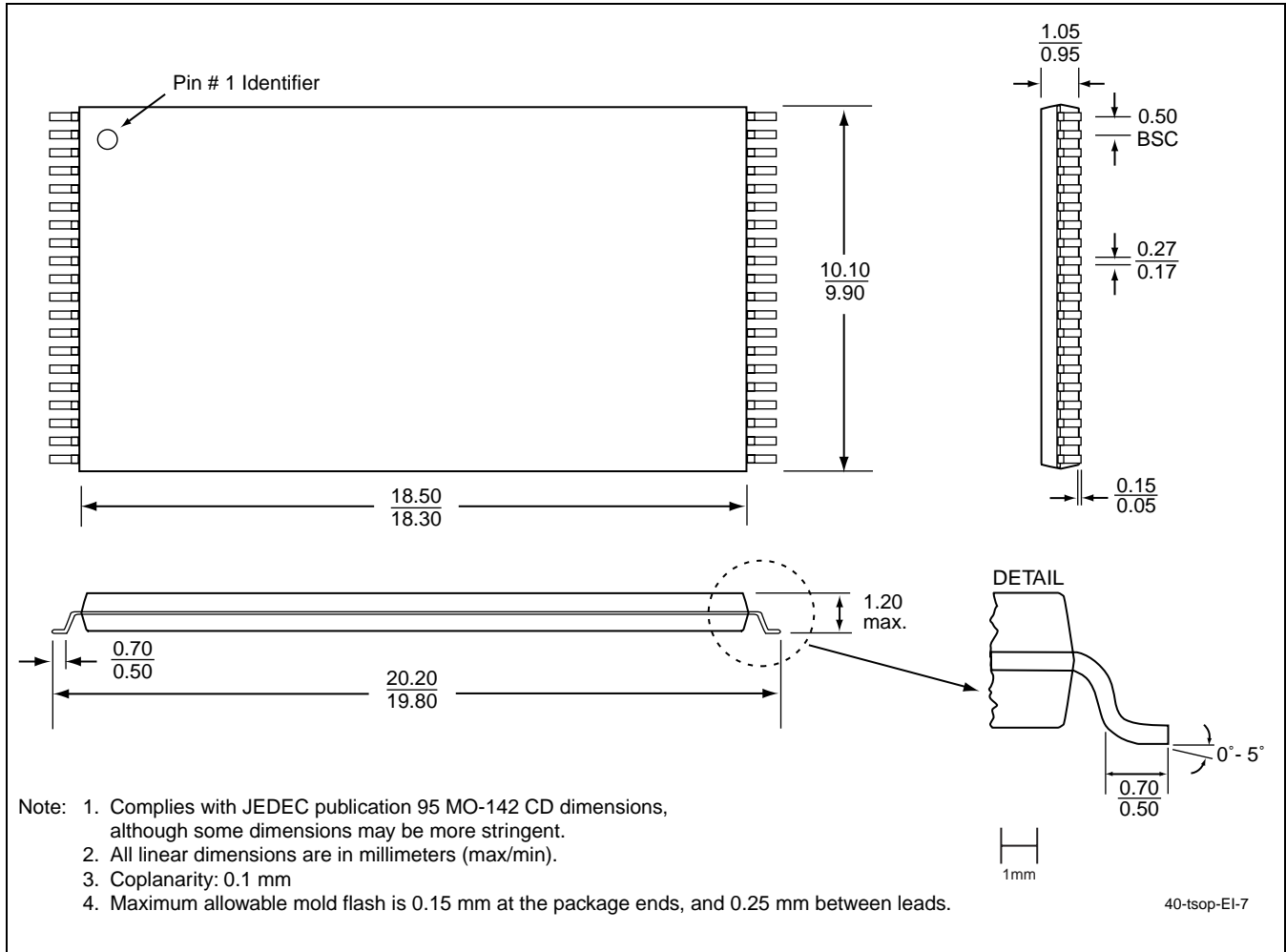


32-LEAD PLASTIC LEAD CHIP CARRIER (PLCC)
SST PACKAGE CODE: NH



2 Mbit / 3 Mbit / 4 Mbit LPC Firmware Flash SST49LF002B / SST49LF003B / SST49LF004B

Data Sheet



40-LEAD THIN SMALL OUTLINE PACKAGE (TSOP) 10MM X 20MM
SST PACKAGE CODE: EI

**2 Mbit / 3 Mbit / 4 Mbit LPC Firmware Flash
SST49LF002B / SST49LF003B / SST49LF004B**



Data Sheet

TABLE 32: REVISION HISTORY

Number	Description	Date
00	<ul style="list-style-type: none">Initial release	Jan 2003
01	<ul style="list-style-type: none">Added a footnote to Table 3 on page 12Removed the CE# signal from Figures 8 and 9Changes to Table 20 on page 27<ul style="list-style-type: none">– Changed V_{IH} values– Updated the I_{DD} Test Conditions	Jun 2003
02	<ul style="list-style-type: none">2004 Data BookUpdated status to “Data Sheet”	Dec 2003
03	<ul style="list-style-type: none">Added 2 Mbit and 3 Mbit devicesAdded 32-TSOP (WH/WHE) package for 4 Mbit devicesClarified the solder temperature profile under “Absolute Maximum Stress Ratings” on page 26	Sep 2004
04	<ul style="list-style-type: none">Removed 32-TSOP (WH/WHE) package and MPNs for 4 Mbit devices	Sep 2004
05	<ul style="list-style-type: none">Added 32-PLCC (NHE) package for 2 Mbit devicesAdded RoHS compliance information on page 1 and in the “Product Ordering Information” on page 40	Jan 2005