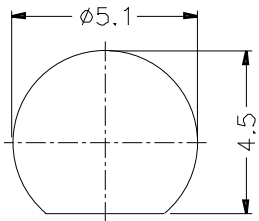
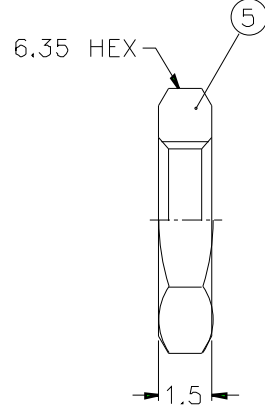
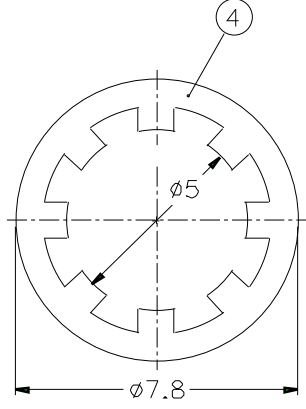
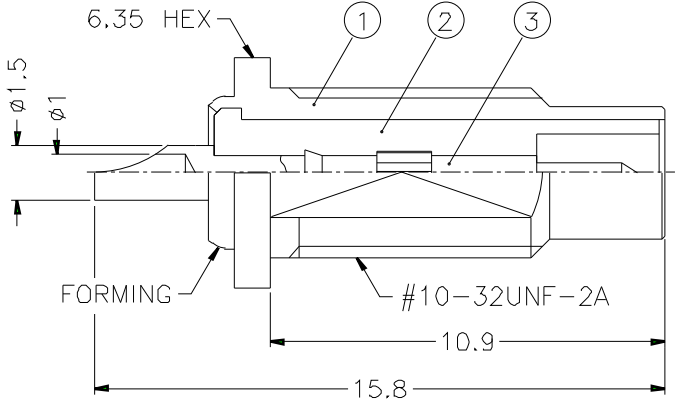


REVISIONS		
ISS	ZONE	DESCRIPTION\PER REQUEST\DATE



RECOMMENDED MOUNTING HOLE



NOTES: FINISH (PLATING THICKNESS IN MICRO-INCHES)
 1. BRASS PER QQ-B-626
 2. BRASS PER QQ-B-613
 3. GOLD PL. 3 MIN. THICK OVER NICKEL PL. 100 MIN. THICK OVER COPPER STRIKE
 4. GOLD PL. 30 MIN. THICK OVER NICKEL PL. 100 MIN. THICK OVER COPPER STRIKE
 5. TEFLON MIL-P-19468

1. MAX. PANEL THICKNESS=2.4mm

DIMENSIONS ARE IN MILLIMETERS					PART NO. SMC1451B1-3GT30G-50		Amphenol			
UNLESS OTHERWISE SPECIFIED TOLERANCES					APPROVED	DATE			TITLE	
5	HEX NUT	NOTE 1	NOTE 3	1	HN635-10-32X15		10-11-01'	SMC BULKHEAD RECEPT. JACK		
4	LOCK WASHER	NOTE 2	NOTE 3	1	LW-78/5X05		10-11-01'			
3	CONTACT PIN	NOTE 1	NOTE 4	1	SMB7430-3-A	CHECKED	10-11-01'	DRAWING NO. KJ-SMC1451B1-3GT30G-50		
2	INSULATOR	NOTE 5	NATURAL	1	SMB7310-2T-50-A	DRAWN	10-11-01'			
1	BODY	NOTE 1	NOTE 3	1	SMC1451B1-1		10-11-01'	ITEM NO.		
NO.	DESCRIPTION	MATERIAL	FINISH	Q'TY	DRAWING NO.	SCALE	5/1	ISSUE	A	FILE NO