

REFLECTIVE LIMITERS - MH300 & KA7 SERIES

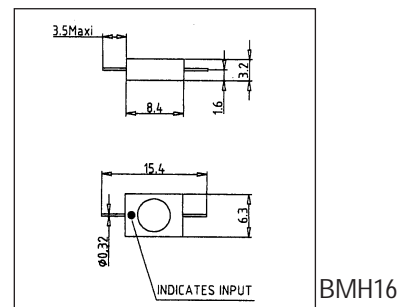
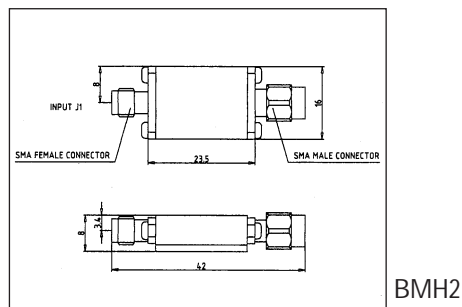
Features

- Broadband frequency range
- High power, low loss

Operating characteristics

- Peak power: Rating is defined at 1 μ s pulse width/duty cycle: 10^{-3} and 25° C
- Spike leakage: 0.2 ERGS (typical)
- Operating temperature: - 55° C to + 125° C
- Maximum flat leakage is tested at 1 μ s pulse width/duty cycle: 10^{-3} and 25° C with external DC return of less than 1 Ω

Case drawings



Electrical characteristics

Model N°	Frequency range (GHz)	1 dB comp. point (dBm)	CW power max. (W)	Insertion loss (dB) max.	Peak power (W) max.	Leakage power (mW)		Package
						CW max. (1)	Peak max.(2)	
MH305	0.5-2	7	2	0.6	200	80	150	BMH2
KA7120	0.5-2	10	1	0.7	100	50	55	BMH2
KA7130	0.5-2	10	3	0.7	1000	100	200	BMH2
MH306	2-4	7	2	0.8	200	80	150	BMH2
KA7220	2-4	10	1	1	100	50	55	BMH2
KA7230	2-4	10	3	1.1	1000	100	200	BMH2
MH303	2-12	7	2	1.7	200	80	150	BMH2
KA7620	2-12	10	1	1.7	100	50	55	BMH2
KA7630	2-12	10	3	2	1000	100	200	BMH2
MH307	4-8	7	2	1.4	200	80	150	BMH2
KA7320	4-8	10	1	1.4	100	50	55	BMH2
KA7330	4-8	10	3	1.6	1000	100	200	BMH2
MH308	8-12	7	2	1.7	200	80	150	BMH2
KA7420	8-12	10	1	1.7	100	50	55	BMH2
KA7430	8-12	10	3	2	1000	100	200	BMH2
MH310	8-18	7	2	2.5	200	80	150	BMH2
KA7720	8-18	10	1	2.5	100	50	55	BMH2
KA7730	8-18	10	3	2.6	1000	100	200	BMH2
MH309	12-18	7	2	2.5	200	80	150	BMH2
KA7520	12-18	10	1	2.5	100	50	55	BMH2
KA7530	12-18	10	3	2.6	1000	100	200	BMH2

- Leakage power:
 1. Measured with 1 W CW input power
 2. Measured with 100 W, 1 μ s pulse for MH300 and KA7*20 series
 - . Measured with 1 KW, 1 μ s pulse for KA7*30 series

Model N°	Frequency range (GHz)	1 dB comp. point (dBm)	CW power max. (W)	Insertion loss (dB) max.	Peak power (W) max.	VSWR max.	Leakage power (mW)		Package
							CW max. (1)	Peak max.(2)	
MH341A	0.5-2	7	2	0.5	200	1.5	80	150	BMH16
MH381A	0.5-2	10	1	0.6	100	1.5	50	55	BMH16
MH383A	0.5-2	10	3	0.6	1000	1.5	100	200	BMH16
MH341B	2-4	7	2	0.8	200	1.6	80	150	BMH16
MH381B	2-4	10	1	1	100	1.6	50	55	BMH16
MH383B	2-4	10	3	1	1000	2	100	200	BMH16
MH341J	2-8	7	2	1.25	200	1.7	80	150	BMH16
MH381J	2-8	10	1	1.25	100	1.8	50	55	BMH16
MH383J	2-8	10	3	1.5	1000	2	100	200	BMH16
MH341F	2-12	7	2	1.6	200	1.9	80	150	BMH16
MH381F	2-12	10	1	1.6	100	2	50	55	BMH16
MH383F	2-12	10	3	2	1000	2	100	200	BMH16
MH341H	2-18	7	2	2.4	200	2	80	150	BMH16
MH381H	2-18	10	1	2.4	100	2	50	55	BMH16
MH383H	2-18	10	3	2.5	1000	2.2	100	200	BMH16
MH341C	4-8	7	2	1.25	200	1.7	80	150	BMH16
MH381C	4-8	10	1	1.25	100	1.8	50	55	BMH16
MH383C	4-8	10	3	1.5	1000	2	100	200	BMH16
MH341D	8-12	7	2	1.6	200	1.9	80	150	BMH16
MH381D	8-12	10	1	1.6	100	2	50	55	BMH16
MH383D	8-12	10	3	2	1000	2	100	200	BMH16
MH341G	8-18	7	2	2.4	200	2	80	150	BMH16
MH381G	8-18	10	1	2.4	100	2	50	55	BMH16
MH383G	8-18	10	3	2.5	1000	2.2	100	200	BMH16
MH341E	12-18	7	2	2.4	200	2	80	150	BMH16
MH381E	12-18	10	1	2.4	100	2	50	55	BMH16
MH383E	12-18	10	3	2.5	1000	2.2	100	200	BMH16

- Leakage power:
 1. Measured with 1 W CW input power
 2. Measured with 100 W, 1 μ s pulse for MH341 and MH381 series
 - . Measured with 1 KW, 1 μ s pulse for MH383 series