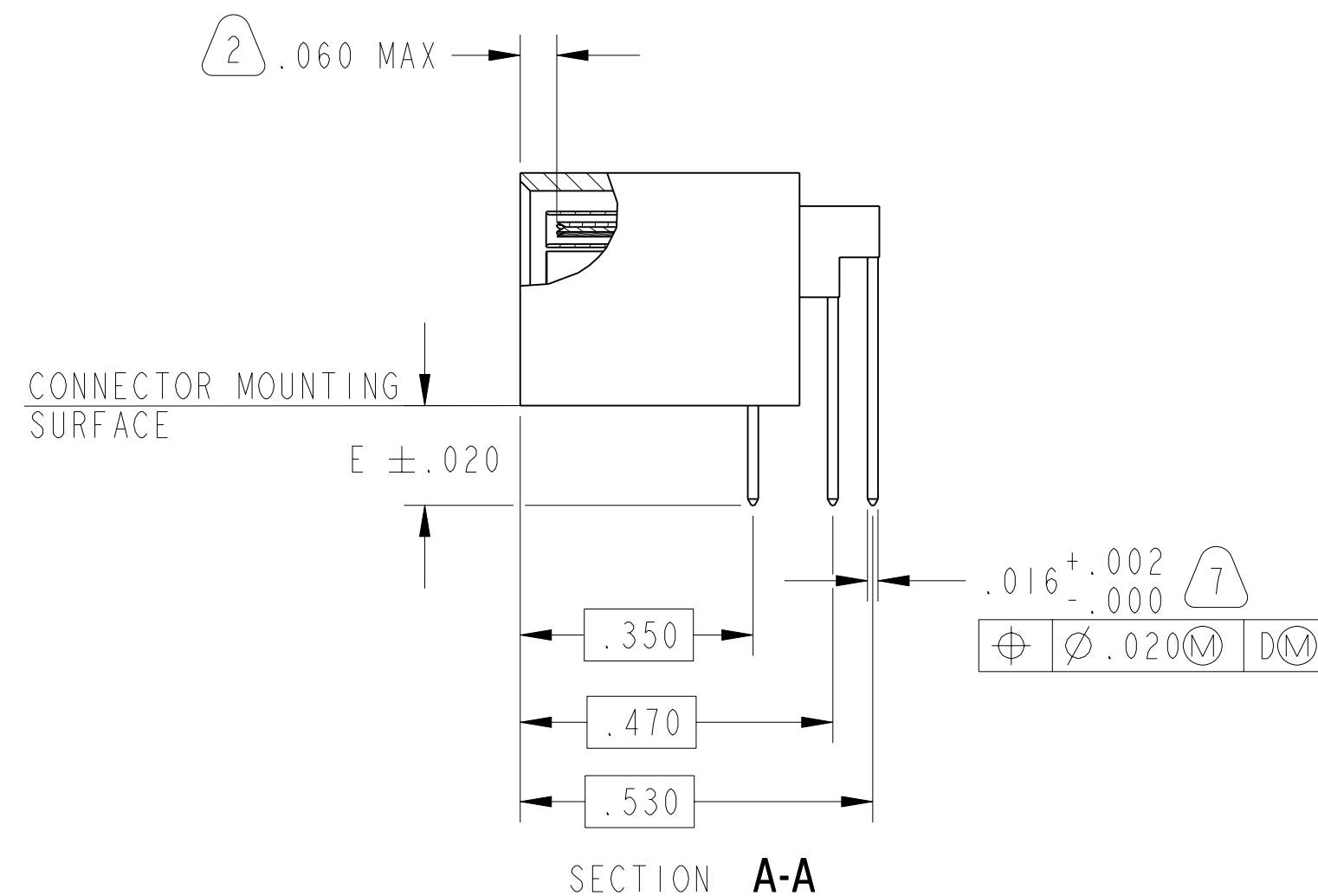
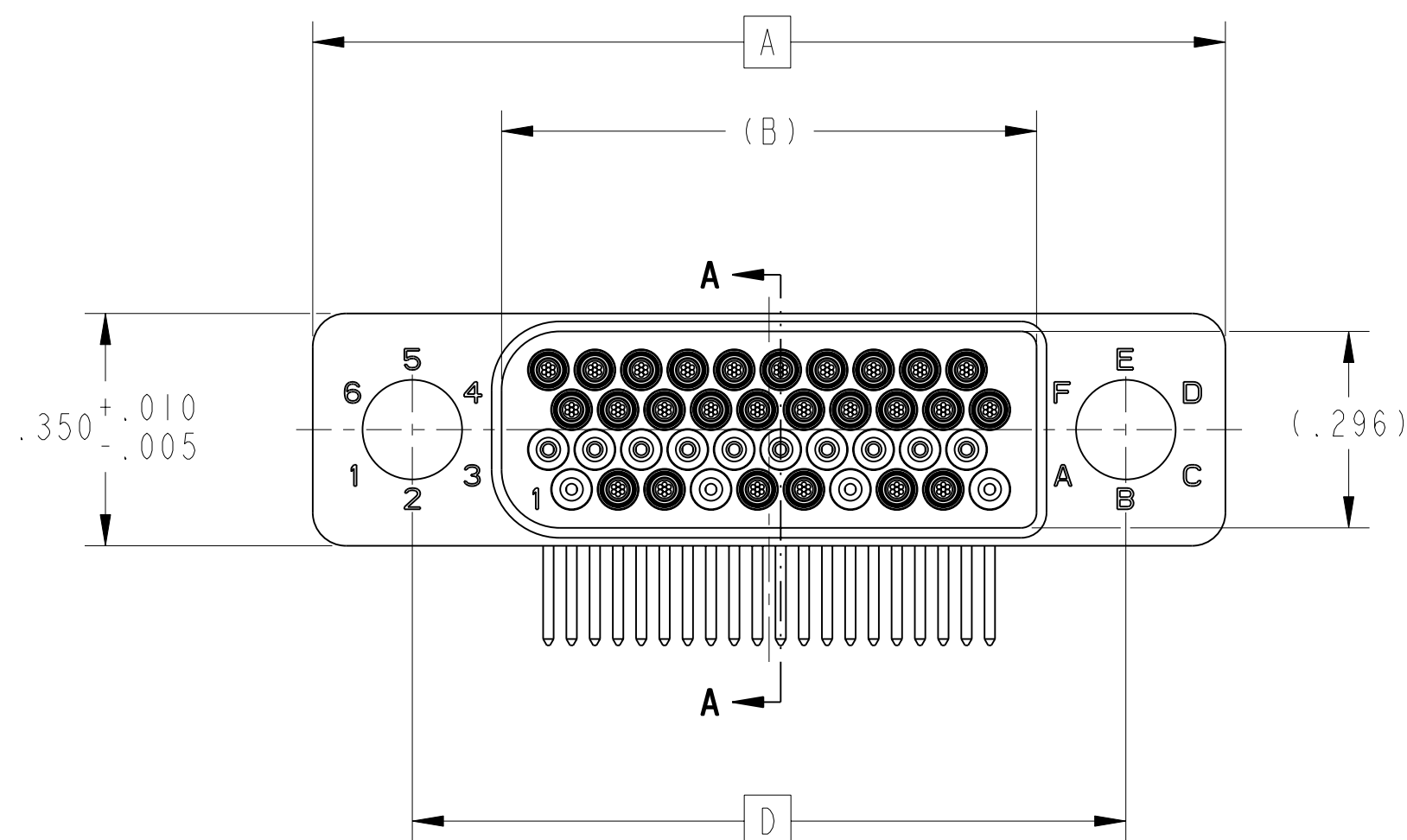
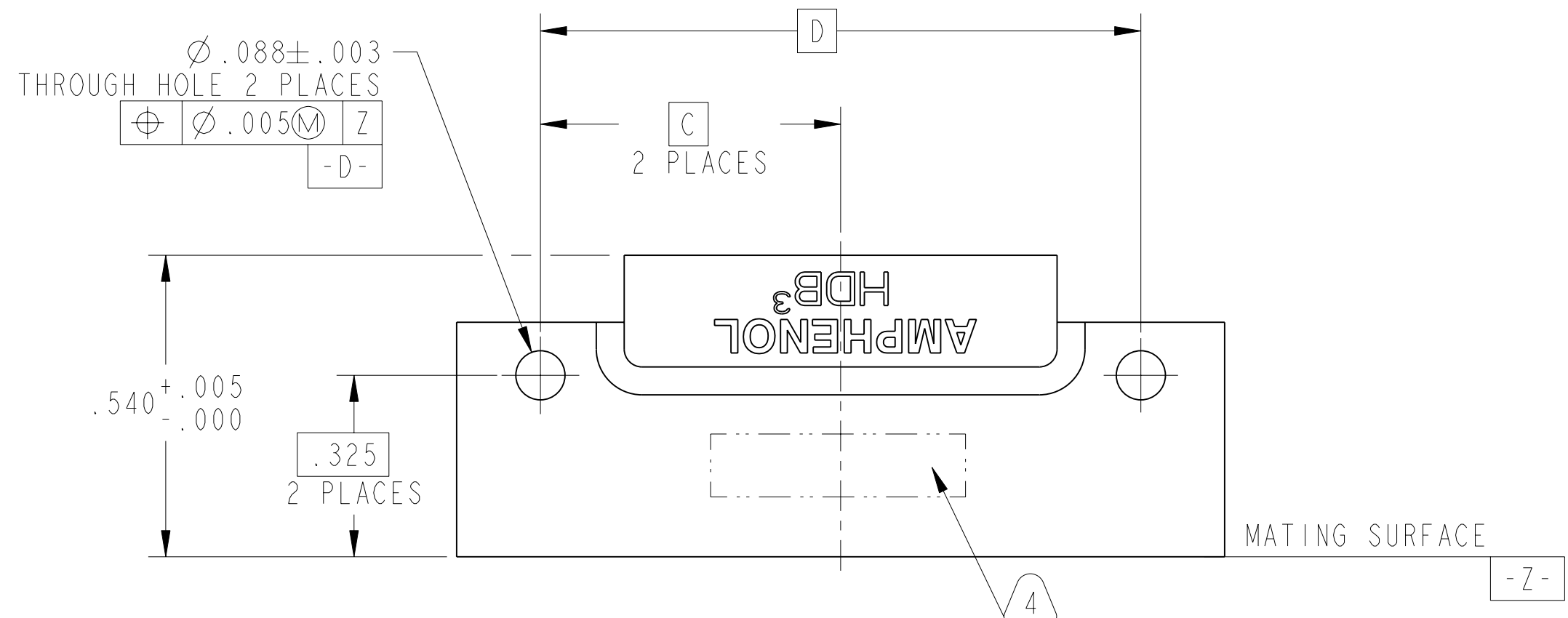


| | | |
|-----------|-----------------|------------------------------|
| REV. A | SHEET 1 OF 5 | DOCUMENT NO. HSB-D4-XXDXXXXX |
| REVISIONS | | |
| LTR | DESCRIPTION | DATE |
| A | INITIAL RELEASE | 11/15/2007 |



NOTES:

THE USE OF THIS DOCUMENT IS UNLIMITED. HOWEVER, DOCUMENTS REFERENCED HEREON MAY CONTAIN LIMITED RIGHTS DATA.

N/A
NEXT ASSEMBLY

PRO/ENGINEER INFORMATION
Pro/e Model Used:
HSB-D4-XXDXXXXX.ASSEM
Drawing Name:
HSB-D4-XXDXXXXX

| UNLESS OTHERWISE SPECIFIED | SPECIFICATIONS | POS | QTY | PART NUMBER | DESCRIPTION | NOTE |
|---|--------------------|---|------------------------------|-------------|---|------|
| LINEAR DIMENSIONS ARE IN INCHES TOLERANCES: .XXXX = $\pm .0005$ ANGLES = $\pm 2^\circ$.XXX = $\pm .010$.XX = $\pm .03$.X = $\pm .1$ | MATERIAL SPEC. | PARTS LIST | | | | |
| | N/A | AMPHENOL CORPORATION 40-60 DELAWARE AVENUE SIDNEY, N.Y. 13858 3 DIFF PAIR WITH 20 BRUSH DAUGHTER BOARD CONNECTOR HSB3 SERIES | | | | |
| DIM. & TOL. PER ASME Y14.5M; DRM PER MIL-DTL-31000; OTHER Amphenol Stds. PER 9-3800 LEGENDS: = FLAG NOTE CALL OUT REFERENCE ONLY | PROCESS SPEC. | APPROVALS | | DATE | SIZE C CAGE CODE 77820 DOCUMENT NO. HSB-D4-XXDXXXXX REV. A SCALE: 4.0 REF. HSB-D4-XXXXXXX SHEET 1 OF 5 | |
| | 9-3895 9-3856-5 | PREPARED BY DMORSE | DESIGN MANAGER EHICKEY | 19-SEP-07 | | |
| | | DESIGN MANAGER EHICKEY | DESIGN ACTIVITY GROUP BLP | | | |
| | | THIRD ANGLE PROJECTION | | | | |

DOCUMENT NO. HSB-D4-XXDXXXXX SHEET 1 OF 5 REV. A
 RELEASE STATE Released
 REVISION A
 VERSION 6

HSB-D4-XXD X XX X X

EXAMPLE: HSB-D4-03D M 02 2 X

CONTACT TERMINATION FINISH

| | |
|---|---|
| 2 | GOLD PLATED IN ACCORDANCE WITH MIL-G-45204, TYPE II, .000030 MIN THICK GOLD OVER .000050 MIN THICK NICKEL |
| 5 | TIN PLATED IN ACCORDANCE WITH ASTM B545, .00010 MIN THICK MATTE TIN OVER .00010 MIN THICK NICKEL. 6 |
| 6 | TIN-LEAD PLATED IN ACCORDANCE WITH SAE-AMS-P-81728, .00010 MIN THICK TIN-LEAD OVER .00010 MIN THICK COPPER. |

HARDWARE (SUPPLIED UNASSEMBLED)

| | |
|---|----------------------------------|
| X | NO HARDWARE |
| P | POLARIZATION KEY (QTY 2) |
| L | LOW PROFILE MOUNTING NUT (QTY 2) |

TERMINATION

| | TYPE | STICKOUT (DIM E) |
|----|-----------------------------|------------------|
| 00 | PCB, RIGHT ANGLE, .016 DIA. | .060 |
| 01 | PCB, RIGHT ANGLE, .016 DIA. | .090 |
| 02 | PCB, RIGHT ANGLE, .016 DIA. | .120 |
| 03 | PCB, RIGHT ANGLE, .016 DIA. | .150 |
| 04 | PCB, RIGHT ANGLE, .016 DIA. | .180 |
| 05 | PCB, RIGHT ANGLE, .016 DIA. | .210 |
| 06 | PCB, RIGHT ANGLE, .016 DIA. | .300 |

BRUSH WIRE PLATING (CONTACT INTERFACE)

| | |
|---|---------------------------------|
| M | 0.000050 Au MIN THK OVER NICKEL |
| C | 0.000020 Au MIN THK OVER NICKEL |

DIFFERENTIAL SIGNAL

CONNECTOR DIMENSIONS

| NUMBER DIFF SIGNALS | NUMBER OF CONTACTS | DIMENSION A | DIMENSION B | DIMENSION C | DIMENSION D |
|---------------------|--------------------|-------------|-------------|-------------|-------------|
| 03 | 26 | 1.375 | .806 | .5375 | 1.075 |
| 07 | 54 | 2.075 | 1.506 | .8875 | 1.775 |
| 10 | 80 | 2.775 | 2.206 | 1.2375 | 2.475 |
| 13 | 106 | 3.475 | 2.906 | 1.5875 | 3.175 |

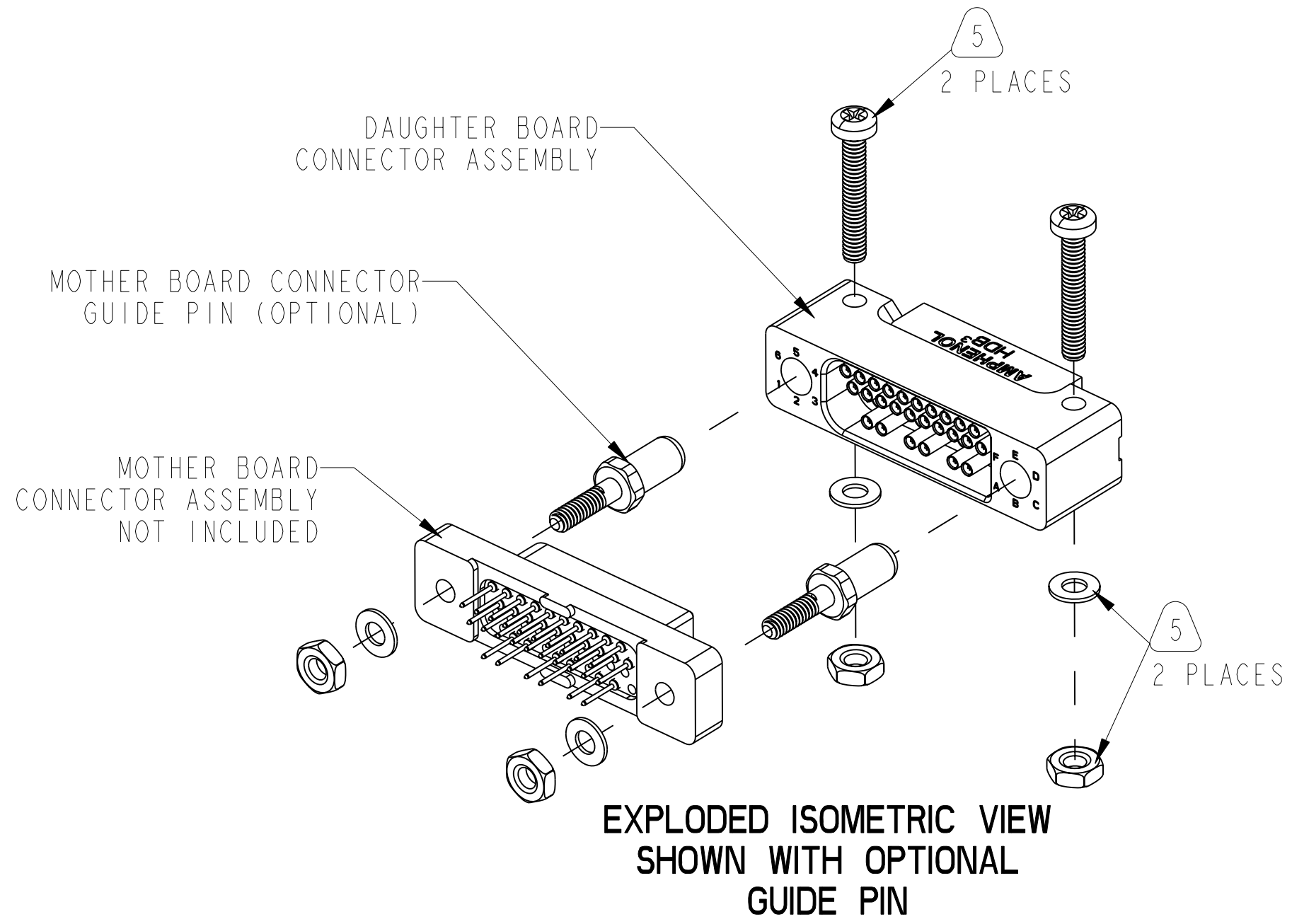
HIGH SPEED/HIGH DENSITY BRUSH

NOTES:

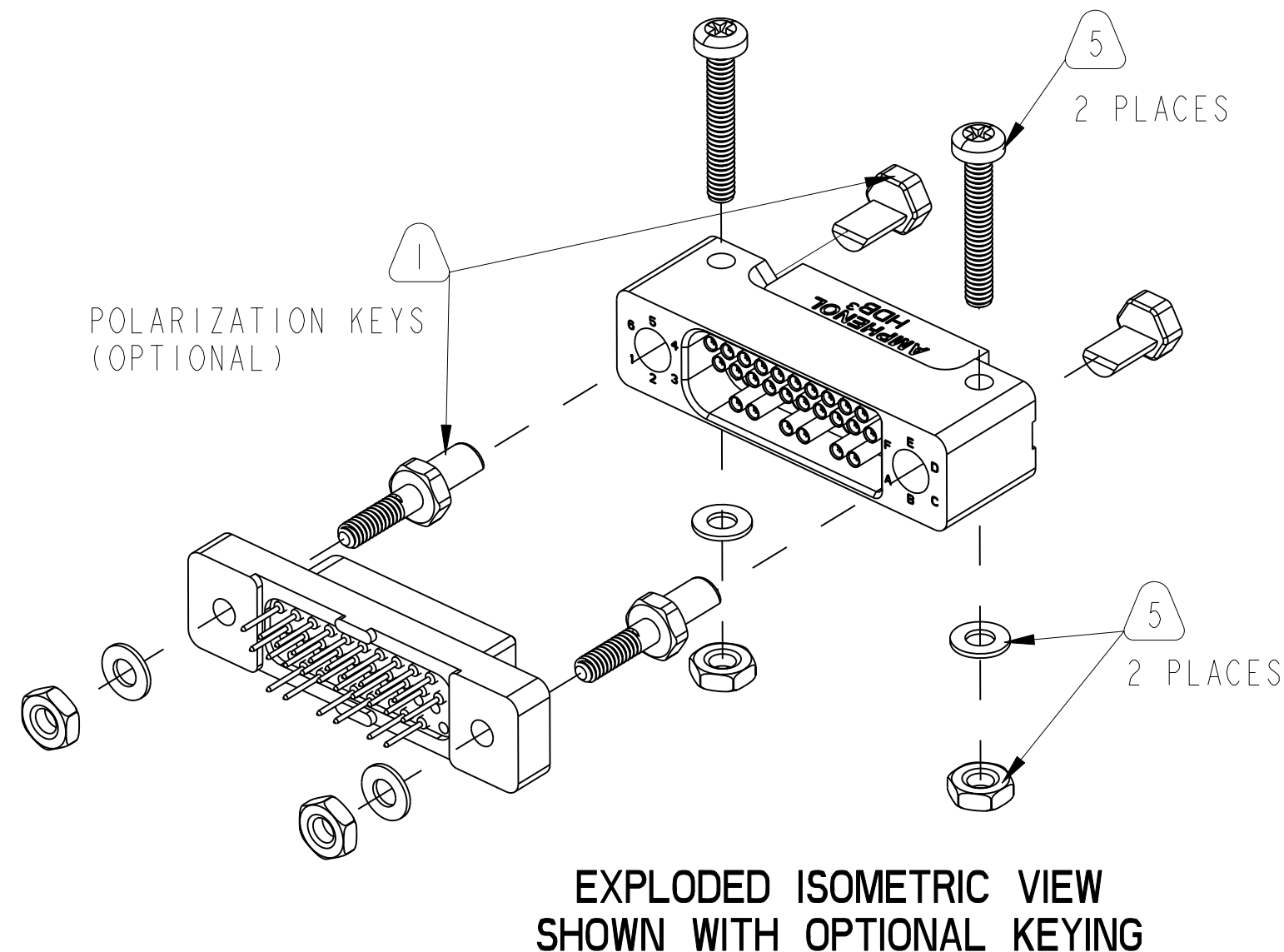
THE USE OF THIS DOCUMENT IS UNLIMITED. HOWEVER, DOCUMENTS REFERENCED HEREON MAY CONTAIN LIMITED RIGHTS DATA.

| | | | |
|------------------|---------------------------|--|------------------|
| SIZE C | CAGE CODE 77820 | DOCUMENT NO. HSB-D4-XXDXXXXX | REV. A |
| SCALE: 3.0 | | REF: HSB-D4-XXXXXXX | SHEET 2 OF 5 |

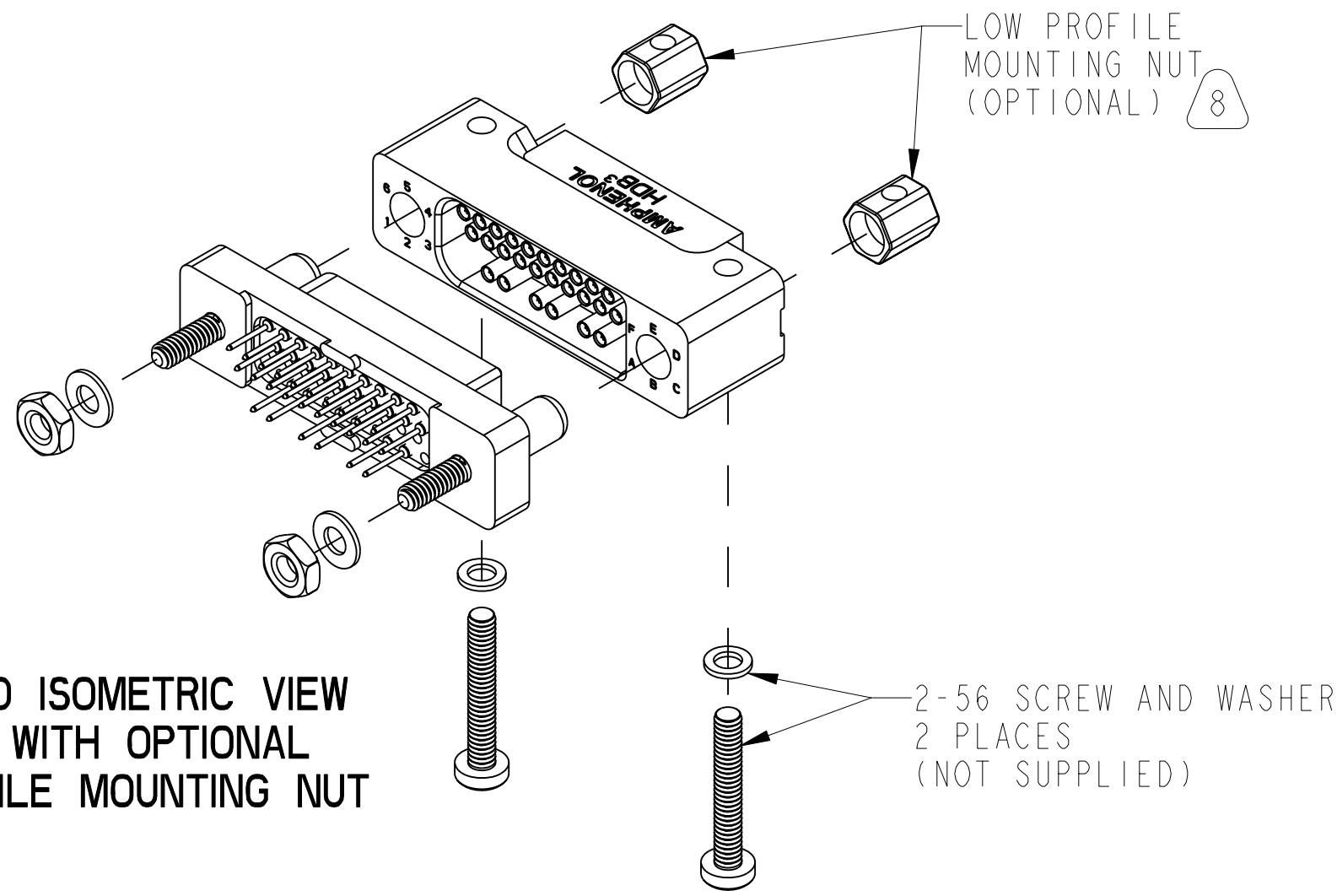
HSB-D4-XXDXXXXX SHEET 4 OF 5 A



EXPLODED ISOMETRIC VIEW SHOWN WITH OPTIONAL GUIDE PIN



EXPLODED ISOMETRIC VIEW SHOWN WITH OPTIONAL KEYING



EXPLODED ISOMETRIC VIEW SHOWN WITH OPTIONAL LOW PROFILE MOUNTING NUT

- 8. LOW PROFILE MOUNTING NUTS ARE OPTIONAL. WHEN USING, A QUANTITY OF 2 ARE REQUIRED PER CONNECTOR. INSERT LOW PROFILE MOUNTING NUTS FROM REAR OF CONNECTOR PRIOR TO MOUNTING CONNECTOR WITH SCREWS (SCREWS NOT INCLUDED). WHEN USING LOW PROFILE MOUNTING NUT, MATING CONNECTOR MAY ALSO USE GUIDE PINS.
- 7. CONTACT ASSEMBLIES ARE NON- REPLACEABLE.
- 6. RoHS COMPLIANT FOR TERMINATION FINISH TIN PLATE OVER NICKEL.
- 5. USE A 2-56 SCREW, NUT AND WASHER FOR MOUNTING CONNECTOR ASSEMBLY WITH OR WITHOUT POLARIZATION KEYS. (NOT SUPPLIED)
- 4. INK STAMP 77820, PART NUMBER AND DATE CODE ON INDICATED SURFACE PER 9-3856-5. DATE CODE PER 9-3895, CHARACTERS TO BE .062 ±.020 HIGH.
- 3. FOR MATING MOTHER BOARD CONNECTOR ASSEMBLY SEE DRAWING HSB-M4-XXDXXXXX.
- 2. INDICATED DIMENSION IS TO POINT OF MINIMUM ELECTRICAL ENGAGEMENT.
- 1. POLARIZATION KEYS ARE OPTIONAL. WHEN USING, A QUANTITY OF 2 ARE REQUIRED PER CONNECTOR. INSERT KEYS FROM REAR OF CONNECTOR PRIOR TO MOUNTING CONNECTOR WITH SCREWS (SEE NOTE 5). WHEN USING KEY, MATING CONNECTOR MUST ALSO USE KEYS.

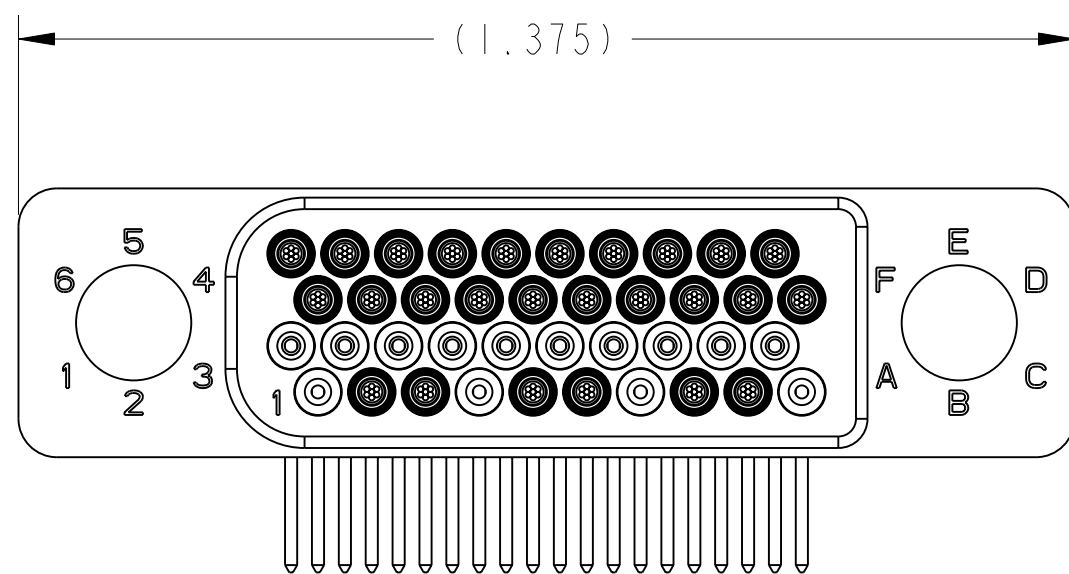
NOTES:

THE USE OF THIS DOCUMENT IS UNLIMITED. HOWEVER, DOCUMENTS REFERENCED HEREON MAY CONTAIN LIMITED RIGHTS DATA.

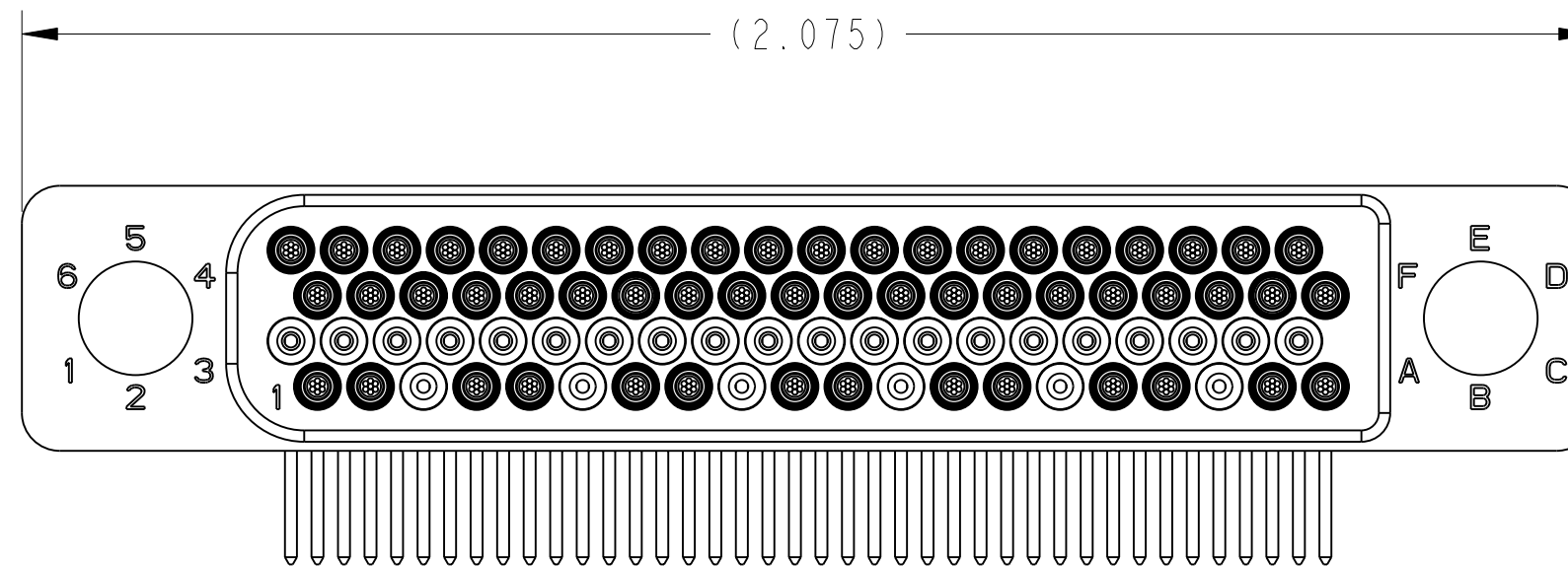
| REPLACEMENT KEY/ LOW PROFILE MOUNTING NUT | | |
|---|----------------------------------|----------------|
| HW ID | TYPE | PART NUMBER |
| P | POLARIZATION KEY QTY 2 | HDB-508804-000 |
| L | LOW PROFILE MOUNTING NUT (QTY 2) | HDB-508804-001 |

| | | | |
|------------------|---------------------------|--|------------------|
| SIZE C | CAGE CODE 77820 | DOCUMENT NO. HSB-D4-XXDXXXXX | REV. A |
| SCALE: 3.0 | | REF: HSB-D4-XXDXXXXX | SHEET 4 OF 5 |

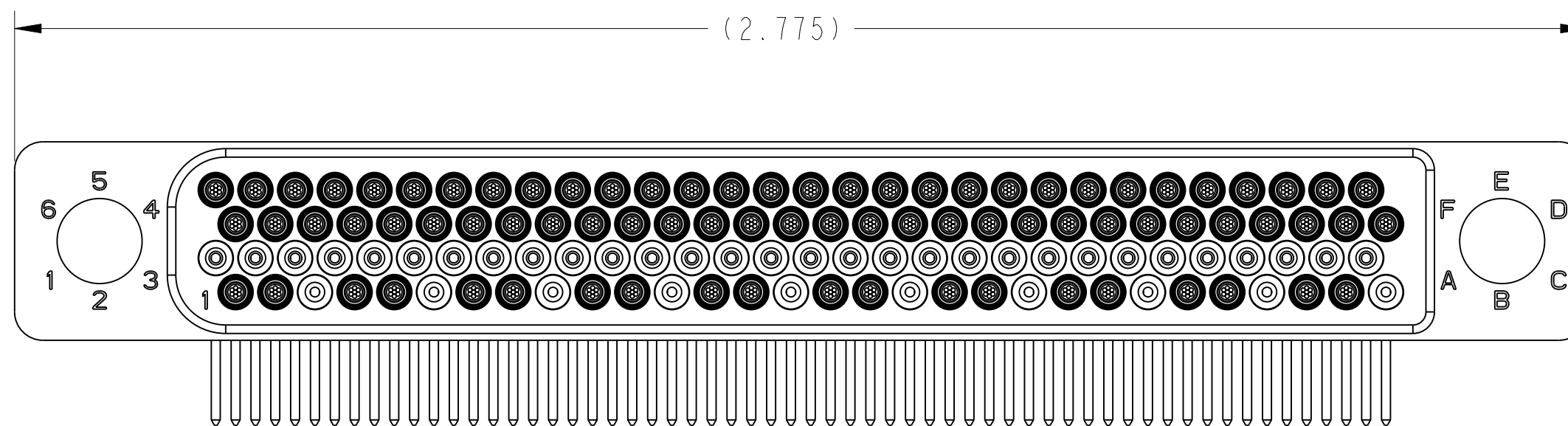
HSB-D4-XXDXXXXX SHEET 4 OF 5 A



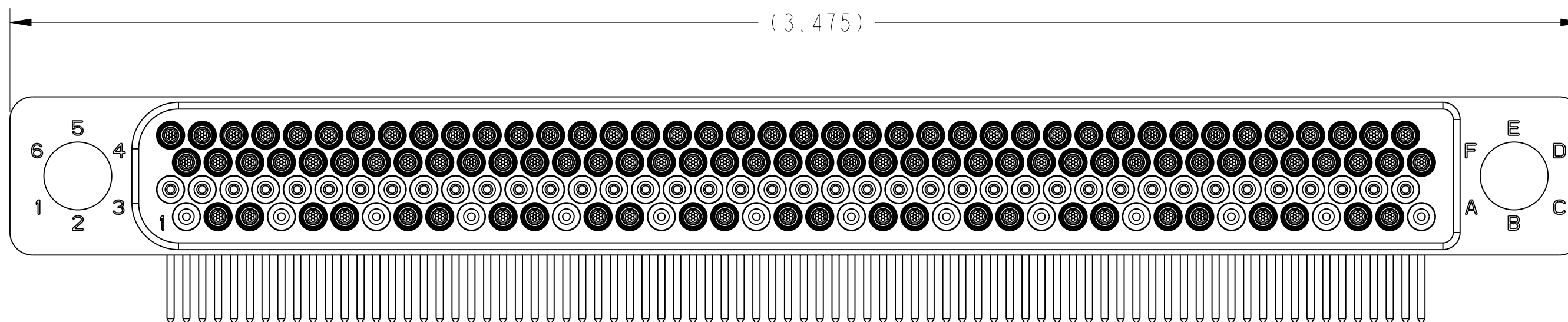
3 DIFFERENTIAL PAIR
SCALE 4.000



7 DIFFERENTIAL PAIR
SCALE 4.000



10 DIFFERENTIAL PAIR
SCALE 4.000



13 DIFFERENTIAL PAIR
SCALE 4.000

NOTES:

THE USE OF THIS DOCUMENT IS UNLIMITED.
HOWEVER, DOCUMENTS REFERENCED HEREON
MAY CONTAIN LIMITED RIGHTS DATA.

DOCUMENT NO. HSB-D4-XXDXXXXX

SHEET 5 OF 5

REV. A

C

B

A

FORMAT: C-U-E-1

VERSION 6

REVISION A

RELEASE STATE Released

REV. A

SHEET 5 OF 5

DOCUMENT NO. HSB-D4-XXDXXXXX