

## SPECIFICATIONS

### Mechanical

Stuffer Insertion Force: 5.0Kg max.  
 FPC/FFC Holding Force: 4.0Kg min.  
 Durability: 20 Cycles

### Electrical

Current Rating: 0.5A DC  
 Contact Resistance: 40mΩ max.  
 Insulation Resistance: 100MΩ min.

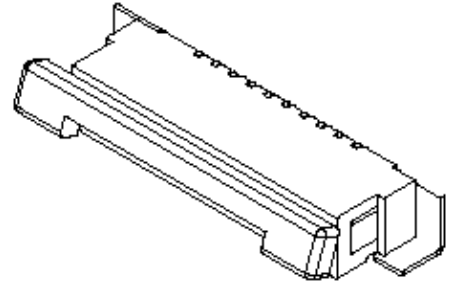
### Physical

Housing: Nylon, UL 94V-0 rated in Ivory White Color  
 Contact: Phosphor Bronze  
 Plating: 100u" min. Tin/Lead Plating on Contact Area  
 Actuator: Nylon, UL 94V-0 rated in Brown Color  
 Ground Leg: Brass  
 Operating Temperature: -25℃ to +85℃

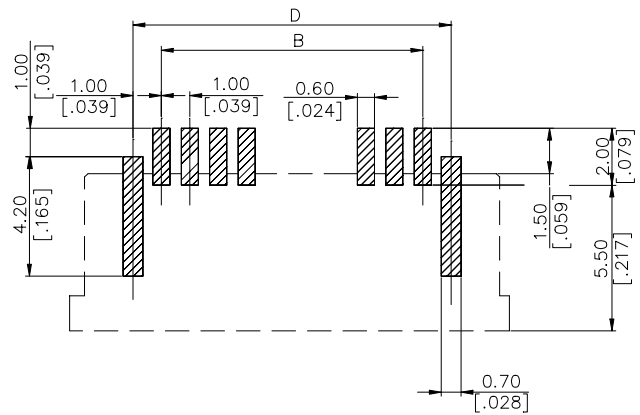
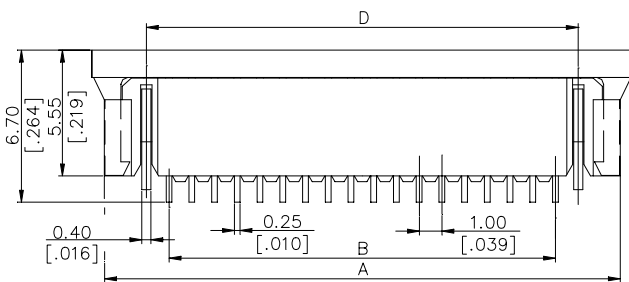
## FPC/FFC Connector

GB20 Series  
 1.0mm [.039"] Pitch  
 FPC/FFC connector

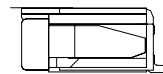
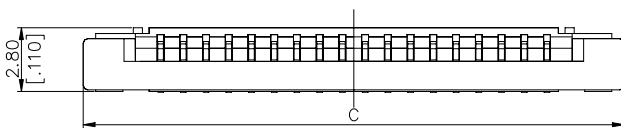
Right Angle, Top Contact type



## DRAWING



RECOMMENDED P.C.B. LAYOUT



## ORDERING INFORMATION

PRODUCT NO. : G B 20 \* \* 0 - 0 0 0 1

**FPC/FFC** \_\_\_\_\_  
**Pitch**  
 2=1.0mm  
**0=R/A, top contact**  
**No. of pos**  
 15=15 pos  
 20=20 pos

**Tape&Reel packing**  
**Extension code**  
**ZIF structure**  
 0=Slider  
 2=Rotating actuator  
**Tail**  
 0=Single row  
 2=Dual rows  
**Finish type**  
 0=Tin/lead  
 1=Gold

26	30.70 [1.209]	25.00 [.984]	31.80 [1.252]	27.00 [1.063]
24	28.70 [1.130]	23.00 [.906]	29.80 [1.173]	25.00 [.984]
20	24.70 [.972]	19.00 [.748]	25.80 [1.016]	21.00 [.827]
18	22.70 [.894]	17.00 [.669]	23.80 [.937]	19.00 [.748]
17	21.70 [.854]	16.00 [.630]	22.80 [.898]	18.00 [.709]
16	20.70 [.815]	15.00 [.591]	21.80 [.858]	17.00 [.669]
15	19.70 [.776]	14.00 [.551]	20.80 [.819]	16.00 [.630]
13	17.70 [.697]	12.00 [.472]	18.80 [.740]	14.00 [.551]
11	15.70 [.618]	10.00 [.394]	16.80 [.661]	12.00 [.472]
PDS.	A	B	C	D