

NEW


FO-EX Series

CONNECTOR

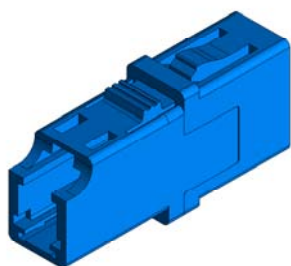
MB-0151-4

April 2007

LC Type Connector

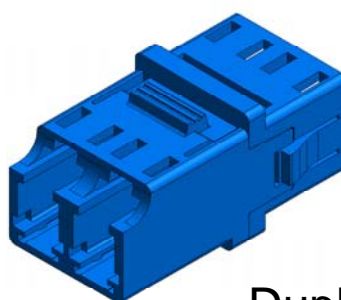
RoHS Compliant

FO-EX-LCAD*



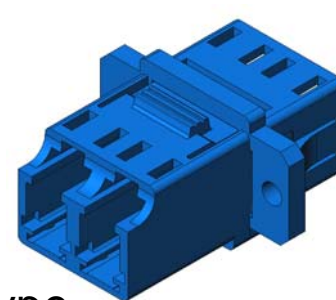
Simplex type

FO-EX-2LCBD*



Duplex type

FO-EX-2LCBF*

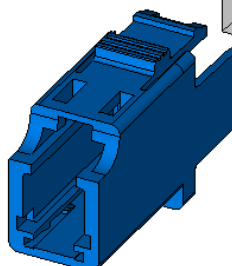


<<Outline>>

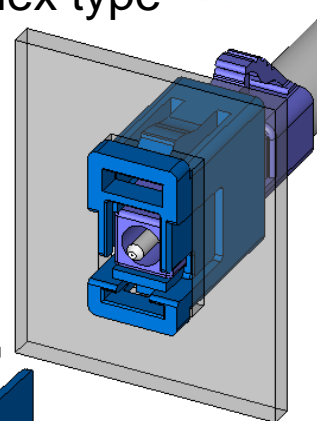
By making the LC type adapter separable, the end surface of the ferrule which is fixed to the inner side of the case (panel side) can be easily cleaned without opening the panel and detaching the plug from the adapter.

Can be used for various applications such as telecommunication devices like router, switch and optical networking devices etc.

Lever



Front housing



Rear housing

Features

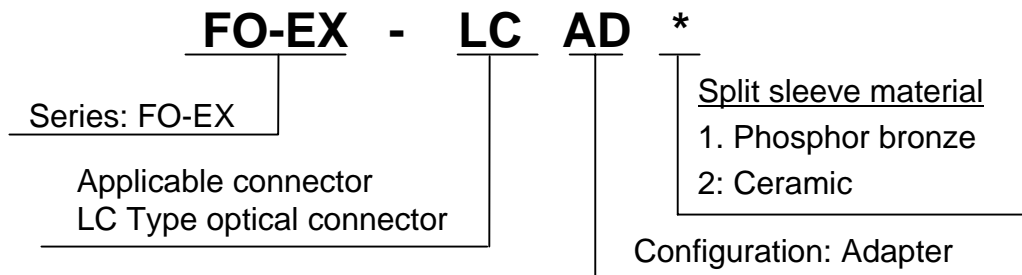
- Simplex type attaches to panel cut-out as LC type simplex adapter (IEC 61754-20 standard product)
- Duplex type (2pos.) attaches to panel cut-out as SC type simplex adapter (IEC 60874-14 standard product). Available with and without flange.
- Optical and environmental performance equivalent to LC type adapter. (compatible to Telcordia GR-326-CORE)
- Easy, one hand separation of front and rear housing is possible by holding top and bottom of the front housing. (lever lock method).

General Specifications

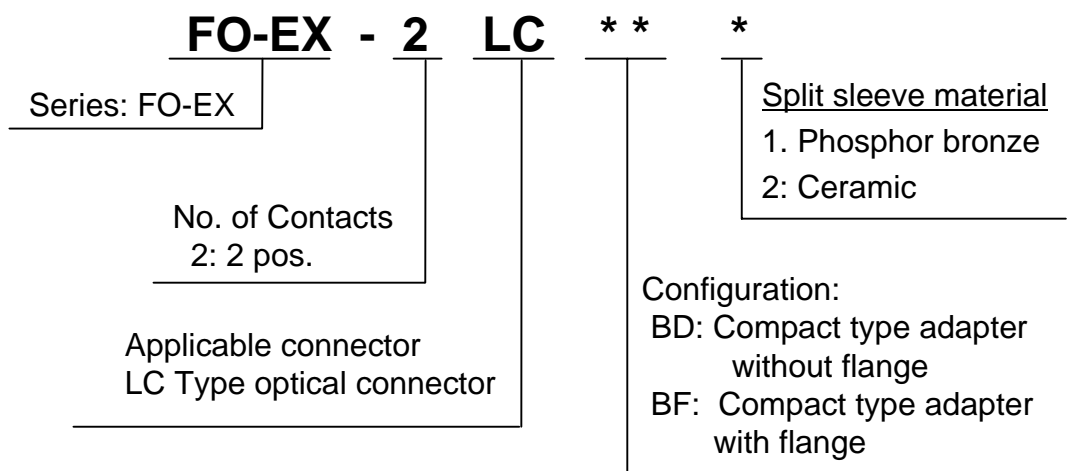
- Insertion loss: 0.4dB max. (when master plug is mated)
 - Operating temperature: -40 to +85 Deg. C
 - Repeated mating: 500 mating cycle
- * Measuring procedure compliant to IEC 61300

Ordering Information

[Simplex type]



[Duplex type]



Technical Information

[Simplex type]

| Part Number | SJ Drawing | Specifications |
|-------------|------------|----------------|
| FO-EX-LCAD1 | SJ106878 | JACS-70039 |
| FO-EX-LCAD2 | SJ106209 | JACS-70031 |

[Duplex type]

| Part Number | SJ Drawing | Specifications |
|--------------|------------|----------------|
| FO-EX-2LCBD1 | SJ106930 | JACS-70042 |
| FO-EX-2LCBD2 | | |
| FO-EX-2LCBF1 | SJ107489 | |
| FO-EX-2LCBF2 | | |

| |
|------------------------|
| Materials and Finishes |
|------------------------|

[Simplex type]

Part number: FO-EX-LCAD1

| Components | Materials/ Finishes |
|---------------|---------------------|
| Front housing | Glass filled PBT |
| Rear housing | Glass filled PBT |
| Sleeve holder | Glass filled PBT |
| Split sleeve | Phosphor bronze |
| Dust cap | PP |

Part number: FO-EX-LCAD2

| Components | Materials/ Finishes |
|---------------|---------------------|
| Front housing | Glass filled PBT |
| Rear housing | Glass filled PBT |
| Sleeve holder | Glass filled PBT |
| Split sleeve | Ceramic |
| Dust cap | PP |

[Duplex type]

Part number: FO-EX-2LCBD1, FO-EX-2LCBF1

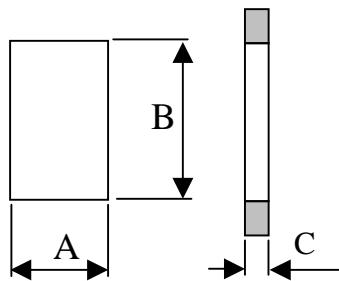
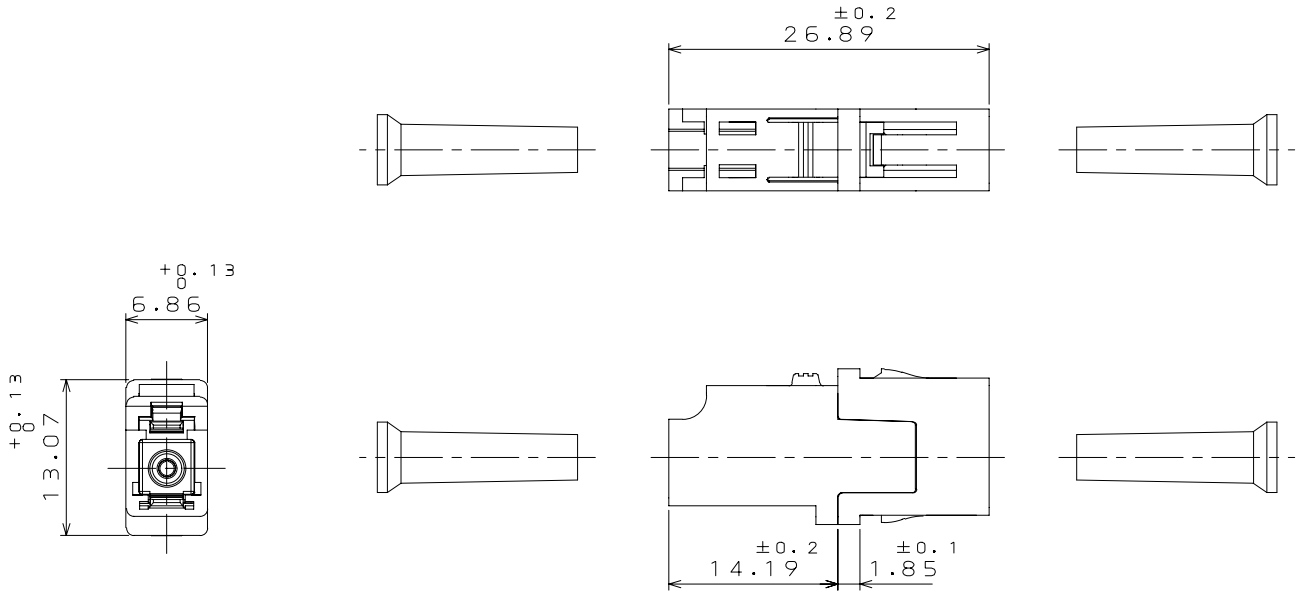
| Components | Materials/ Finishes |
|---------------|---------------------|
| Front housing | Glass filled PBT |
| Rear housing | Glass filled PBT |
| Sleeve holder | Glass filled PBT |
| Split sleeve | Phosphor bronze |
| Dust cap | PP |

Part number: FO-EX-2LCBD2, FO-EX-2LCBF2

| Components | Materials/ Finishes |
|---------------|---------------------|
| Front housing | Glass filled PBT |
| Rear housing | Glass filled PBT |
| Sleeve holder | Glass filled PBT |
| Split sleeve | Ceramic |
| Dust cap | PP |

Outer Dimensions

[Simplex type]



Dimension of panel cut out
(for reference)

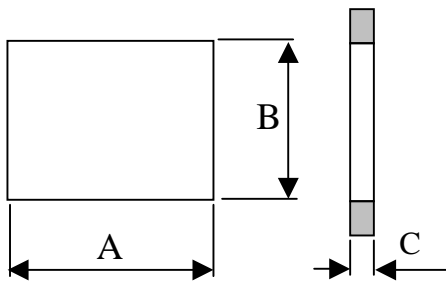
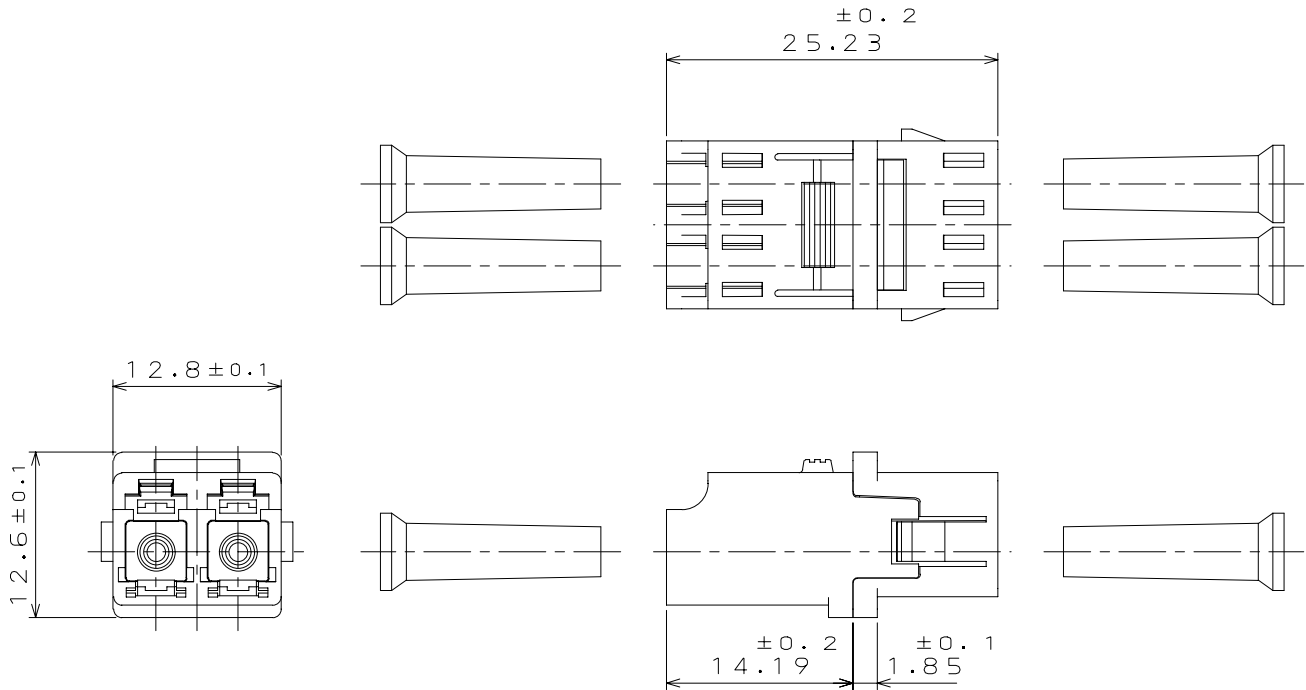
| | Min | Max |
|----------|-------------|-------------|
| A | 7.1 | 7.2 |
| B | 11.7 | 11.8 |
| C | 1.55 | 1.75 |

■ Please contact us when considering using panel thickness not in above.

Outer Dimensions

[Duplex type]

Without flange type: FO-EX-2LCBD*



| | Min | Max |
|----------|-------------|-------------|
| A | 13.1 | 13.6 |
| B | 9.5 | 10.0 |
| C | 1.5 | 1.75 |

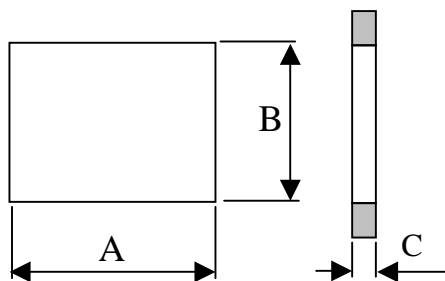
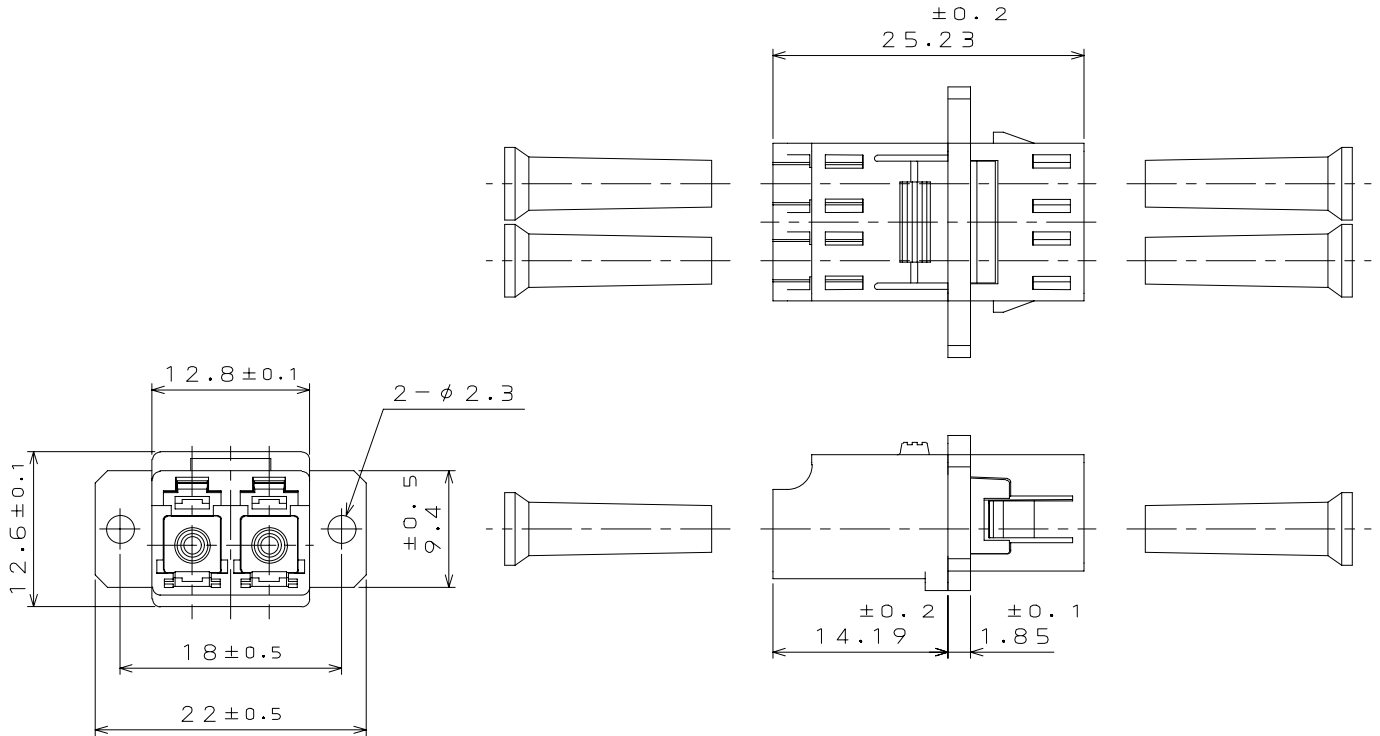
Dimension of panel cut out
(for reference)

■ Please contact us when considering using panel thickness not in above.

Outer Dimensions

[Duplex type]

With flange type: FO-EX-2LCBF*



| | Min | Max |
|----------|-------------|-------------|
| A | 13.1 | 13.6 |
| B | 9.5 | 10.0 |
| C | 1.5 | 1.75 |

Dimension of panel cut out
(for reference)

■Please contact us when considering using panel thickness not in above.

-Caution-

Please contact our sales window if Electrical Appliance and Material Safety Law on-specification products are desired.

Japan Aviation Electronics Industry, Limited

Product Marketing Division
Aobadai Building, 3-1-19, Aobadai, Meguro-ku, Tokyo 153-8539
Phone: +81-3-3780-2787 FAX: +81-3-3780-2946

Notice: Products shown in this leaflet are made for the applications listed below. However, if the above-mentioned products are to be used in aerospace devices, marine cable-connection devices, atomic power control systems, medical equipment for life-support systems, or any other specific application requiring extremely high reliability, please contact JAE for further information.
Recommended applications: Computers, Office machines, Measuring devices, Telecommunication devices (Terminals, Mobile devices), AV devices, Household applications, FA devices, etc.