

Customer Information Sheet

DRAWING No.: F20-100XX06

SHEET 2 OF 2

IF IN DOUBT - ASK

©

NOT TO SCALE

THIRD ANGLE PROJECTION

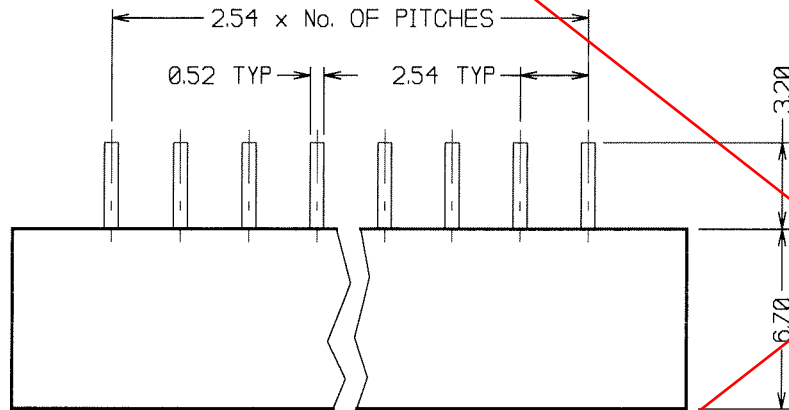
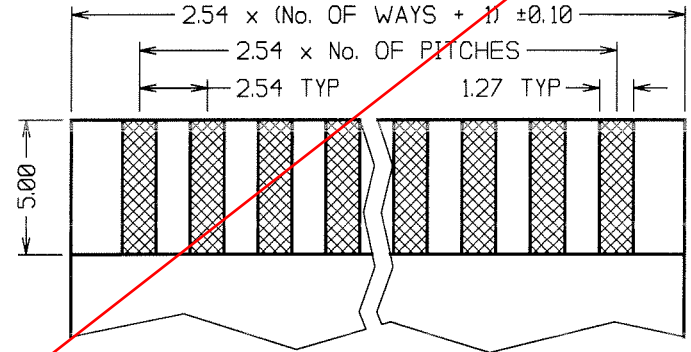
ALL DIMENSIONS IN mm

ORDER CODE:
F20-100XX06

No. OF WAYS
02 TO 21

- NOTES:
1. ALL TOLERANCES ARE ± 0.25 UNLESS OTHERWISE STATED.
 2. RECOMMENDED HOLE SIZE = $\varnothing 0.85$ mm.

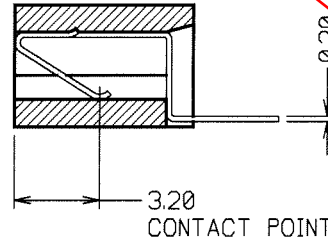
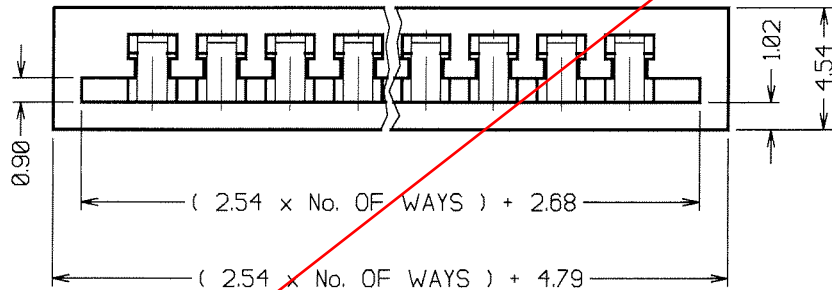
OBSOLETE



SPECIFICATIONS

- MATERIALS:
 MOULDING - POLYESTER UL94V-0
 CONTACTS - PHOSPHOR BRONZE
 FINISH:
 CONTACTS - TIN
 ELECTRICAL:
 CURRENT RATING - 1 AMP
 VOLTAGE RATING - 200V AC
 CONTACT RESISTANCE - 20 MILLIOHMS MAX
 INSULATION RESISTANCE - 1,000 MEGOHMS MIN
 WITHSTANDING VOLTAGE - 1,000V AC
 MECHANICAL:
 DURABILITY - 15 OPERATIONS
 ENVIRONMENTAL:
 TEMPERATURE RANGE - -40°C TO $+105^{\circ}\text{C}$

RECOMMENDED
FPC/FFC LAYOUT
(THICKNESS = 0.30 ± 0.05 mm)



| | | | |
|----------------|------|--------------|--------|
| WJB | 4 | 03.07.01 | 6011 |
| NAME | ISS. | DATE | C/NOTE |
| APPROVED: | | | |
| CHECKED: | | | |
| DRAWN: | | W. J. BOURNE | |
| CUSTOMER REF.: | | | |
| ASSEMBLY DRG: | | | |

HARWIN

THIS DRAWING AND ANY INFORMATION OR DESCRIPTIVE MATTER SET OUT HEREON ARE CONFIDENTIAL AND COPYRIGHT PROPERTY OF THE HARWIN GROUP AND MUST NOT BE DISCLOSED, LOANED, COPIED OR USED FOR MANUFACTURING, TENDERING OR FOR ANY OTHER PURPOSE WITHOUT THEIR WRITTEN PERMISSION.

TOLERANCES
 X. - ± 1 mm
 X.X - ± 0.25 mm
 X.XX - ± 0.10 mm
 X.XXX - ± 0.01 mm
 ANGLES - $\pm 5^{\circ}$
 UNLESS STATED

MATERIAL:
SEE ABOVE
 FINISH: SEE ABOVE
 S/AREA: mm²

TITLE:
2.54mm PITCH VERTICAL
FPC CONNECTOR
 DRAWING NUMBER:
F20-100XX06

| | | |
|--|--|---|
| HARWIN INC U.S.A. TEL: (812) 285 0055 FAX: (812) 285 0056 | HARWIN PLC U.K. TEL: 023 9237 0451 FAX: 023 9231 4590 | HARWIN PTE SINGAPORE TEL: 65 7794909 FAX: 65 7793868 |
|--|--|---|