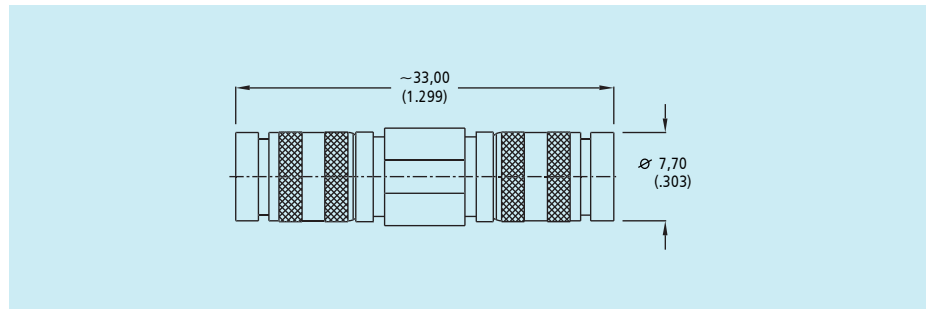


1.0/2.3 In-Series Adaptors

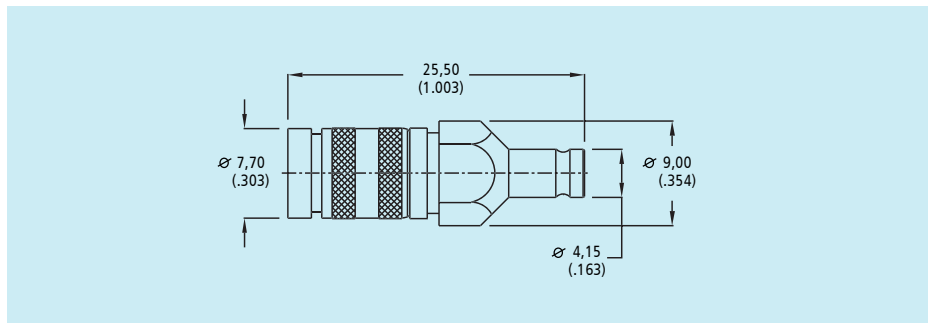
1.0/2.3 Push-Pull Plug to Push-Pull Plug

<b>Part Number</b>
D55-F73-0000A9A



1.0/2.3 Push-Pull Plug to Jack

<b>Part Number</b>
D55-F74-0000A9A



1.0/2.3 Jack to Bulkhead Jack

<b>Part Number</b>
D55-F77-0000A9A

