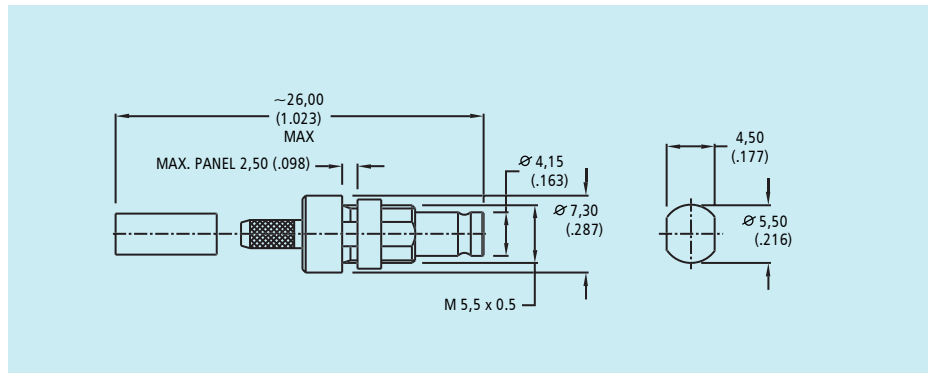


75 Ω Cable Jacks

Straight Bulkhead Crimp Jack  
All Couplings  
(Packed in Trays of 25)

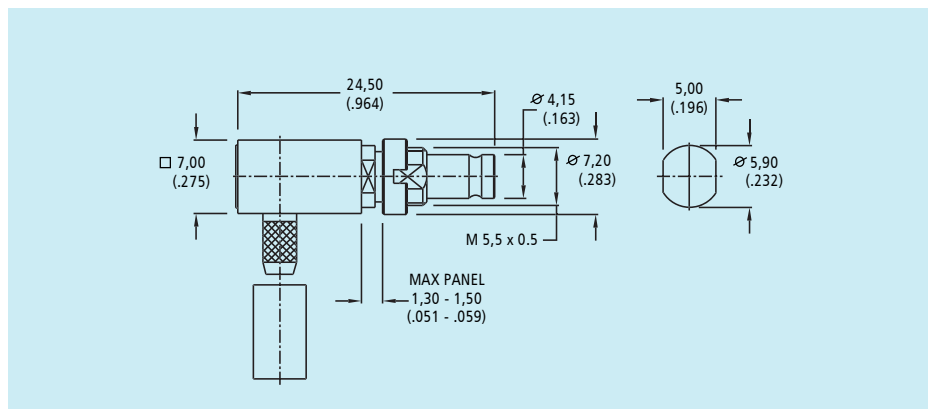
Part Number	Cable Numbers
D55-F27-3022GEA	ST212
D55-F27-3024GEA	ST214
D55-F27-3033GEA	BT2003
D55-F27-3035GEA	BT3002
D55-F27-3036GEA	BT5000
D55-F27-3037GEA	RA7000
D55-F27-3051GEA	TZC75005
D55-F27-3052GEA	0,4/2,4
D55-F27-3053GEA	B 0,25/1,45
D55-F27-3054GEA	HFE2290
D55-F27-3079GEA	RG179 B/U
D55-F27-3090GEA	Flex 2
D55-F27-3091GEA	Flex 3
D55-F27-3092GEA	Flex 5
D55-F27-3094GEA	Flex 7
D55-F27-3095GEA	LA 910
D55-F27-3043GEA	2.5C - 2V
D55-F27-3045GEA	3C - 2V
D55-F27-3046GEA	3C - 2W



Assembly Instructions BBAI - 1281 - page 29

Right Angle Bulkhead Solder Crimp Jack  
All Couplings - Screw Cap  
(Packed in Trays of 25)

Part Number	Cable Numbers
D51-F30-3035GBA	BT3002
D51-F30-3022GBA	ST212
D51-F30-3024GBA	ST214
D51-F30-3069GBA	RG179 B/U
D51-F30-3059GBA	RG59
D51-F30-3090GBA	Flex 2
D51-F30-3091GBA	Flex 3

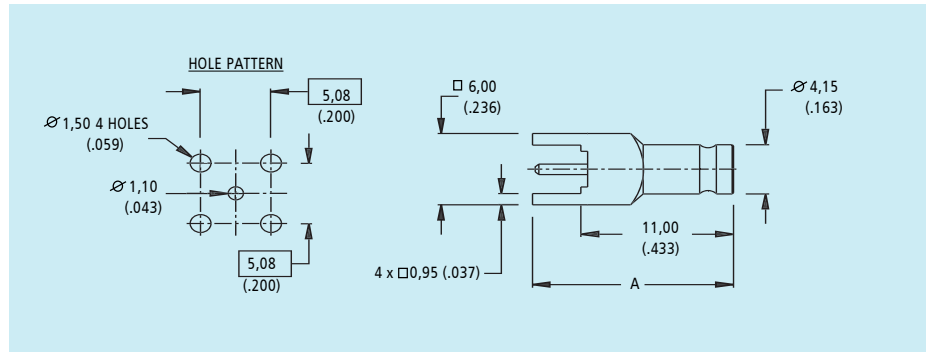


Assembly Instructions BBAI - 1277 - page 27

75 Ω Printed Circuit Board Jacks

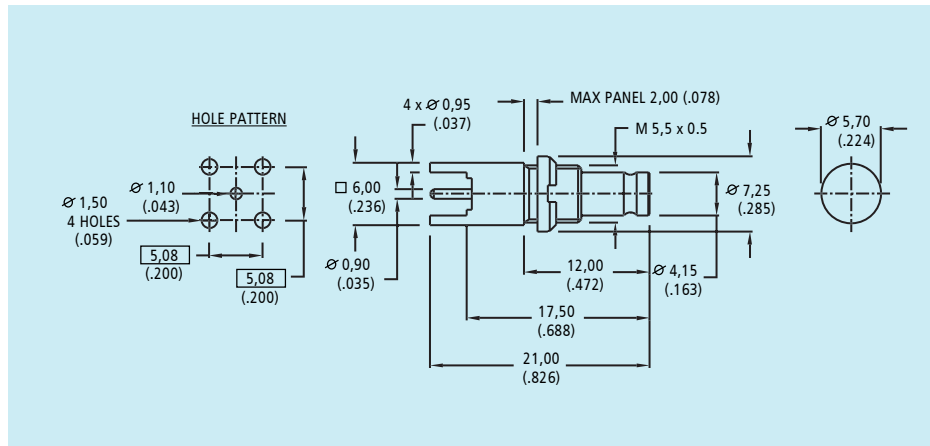
Straight Jack 0,95 Square Legs  
Push-Pull and Snap Couplings  
(Packed in Trays of 100)

Part Number	A
D51-F51-9002GBA	14,5 (.571)
D51-F51-9003GBA	15,5 (.610)



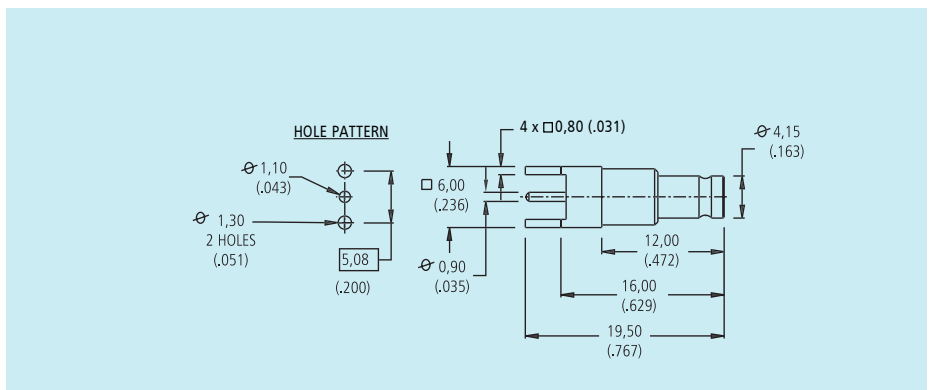
Straight Bulkhead Jack 0,95 Square Legs  
All Couplings  
(Packed in Trays of 100)

Part Number
D51-F51-9006GBA



Straight Jack 0,80 Square Legs  
All Couplings

Part Number
D51-F51-9001GBA



75 Ω Printed Circuit Board Jacks

Right Angle Jack  
 All Couplings  
 (Packed in Trays of 100)

Part Number
D51-F53-9004GBA

