

# FP-10 Series 1.0mm Spacing (SMT)



### Features

1. The FPC/FFC connectors in this series apply to the 1.0mm spacing SMT.
2. Of the ZIF structure.
3. A lead-free product.

### Specifications

1. Rating : 0.5A, 50V AC/DC
2. Contact Resistance : 30mΩ, max.
3. Insulation Resistance : 1000MΩ, min. at 500V DC
4. Withstanding Voltage : 500V AC for one minute
5. Operating Temperature Range : -25°C to +85°C

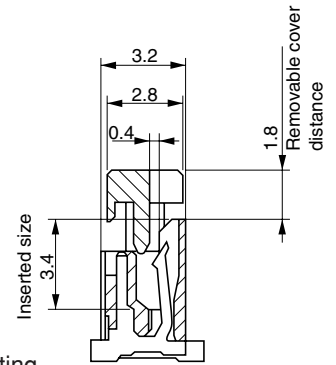
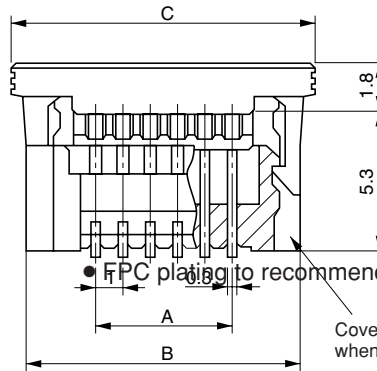
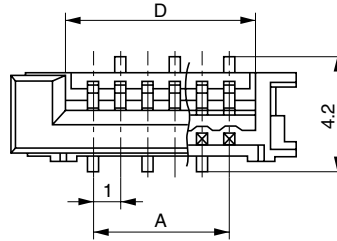
### Material and Plating

- Housing : Polyphenylene Sulfide (PPS), Natural Color, 94V-0
- Cover : Polyphenylene Sulfide (PPS), Natural Color, 94V-0
- Contact : Phosphor Bronze, Tin Plating

### ● Straight Type CFP61□□-01☒☒F

↑ No. of Pins

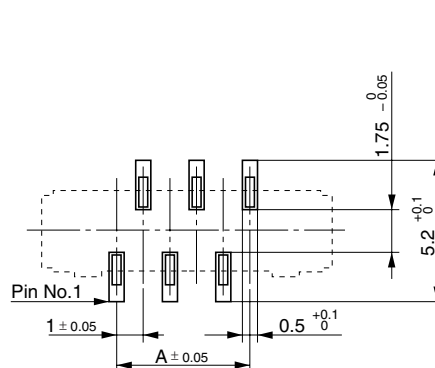
☒☒	Packing Style
01	Embossed Taping
02	Pack in Bulk



□□ No. of Pins	A	B	C	D
05	4.0	9.0	10.2	6.0
06	5.0	10.0	11.2	7.0
07	6.0	11.0	12.2	8.0
08	7.0	12.0	13.2	9.0
09	8.0	13.0	14.2	10.0
10	9.0	14.0	15.2	11.0
11	10.0	15.0	16.2	12.0
12	11.0	16.0	17.2	13.0
13	12.0	17.0	18.2	14.0
14	13.0	18.0	19.2	15.0
15	14.0	19.0	20.2	16.0

□□ No. of Pins	A	B	C	D
16	15.0	20.0	21.2	17.0
17	16.0	21.0	22.2	18.0
18	17.0	22.0	23.2	19.0
19	18.0	23.0	24.2	20.0
20	19.0	24.0	25.2	21.0
21	20.0	25.0	26.2	22.0
22	21.0	26.0	27.2	23.0
23	22.0	27.0	28.2	24.0
26	25.0	30.0	31.2	27.0
29	28.0	33.0	34.2	30.0

### ■ P.C. Board Dimension



### ■ Applicable FPC Dimension (t=0.3±0.05)

