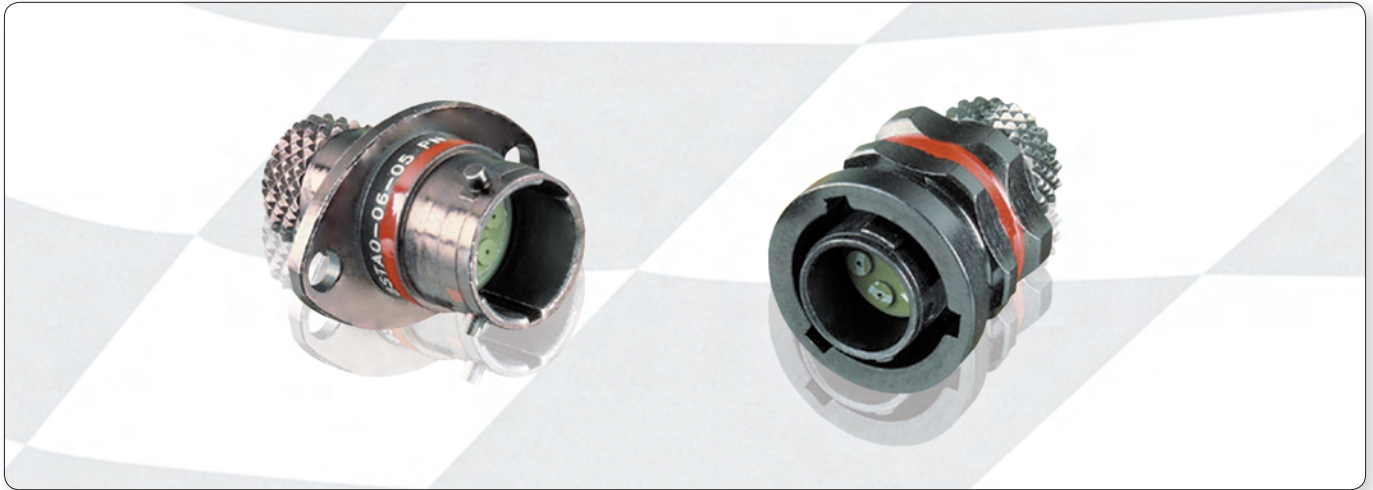


# 8STA shell size 06-05



## Features & Benefits

- Rugged aluminium body to ensure long service life in the harshest environment
- Small compact connector with boot termination feature
- Environmental sealing from interfacial seal and rear grommet
- Positive locking mechanism with locked colour indicators
- 6 colour-coded keyway orientations
- Conductive black zinc plating
- Available with 5 contacts #26 (crimp or PCB)

## Technical characteristics

### Mechanical

• Shell	Aluminium alloy
• Shell plating	Conductive black zinc
• Insulator	Thermoplastic
• Grommet & seal	Liquid silicone rubber
• Contact	Copper alloy
• Contact plating	Gold
• Endurance	500 matings/unmatings
• Shock	300 g for 3 ms and EIA-364-27
• Vibration	147 m/s <sup>2</sup> , 10 to 2000 Hz
• Contact retention	45 N

### Electrical

• Test voltage	1300 Vrms
• Contact resistance	< 16 mΩ
• Insulation resistance	> 5000 mΩ (at 500 Vdc)
• Contact rating	3 A

### Climatic

• Temperature range	-55°C to +175°C
• Sealing mated connectors	IP67 (1 metre for 30 min. minimum)
• Salt spray	48 hours

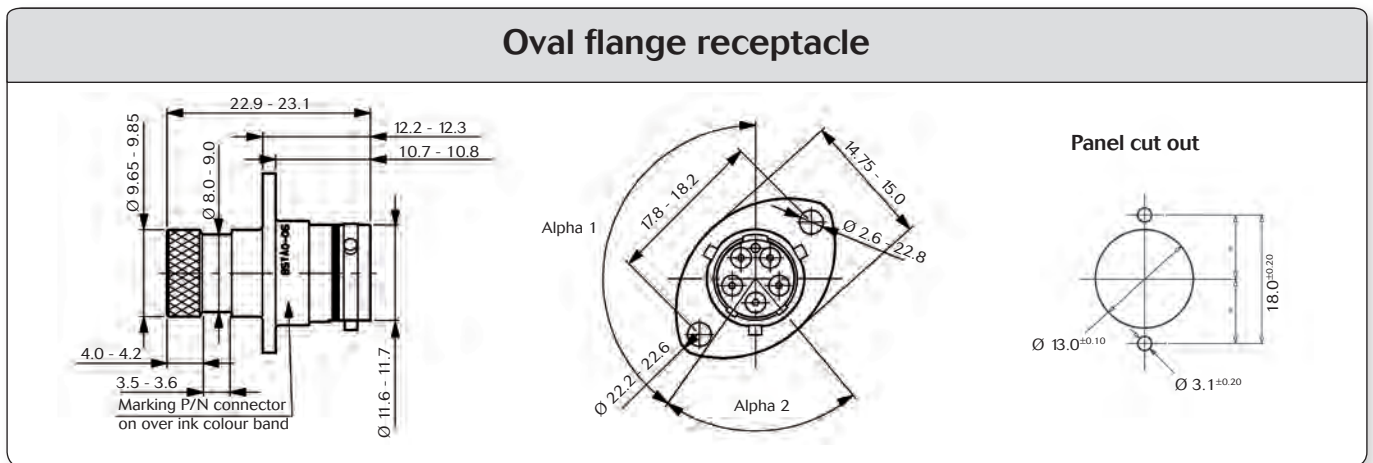
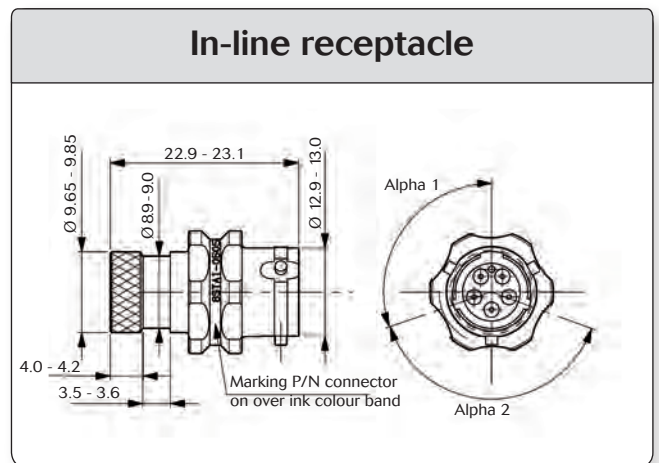
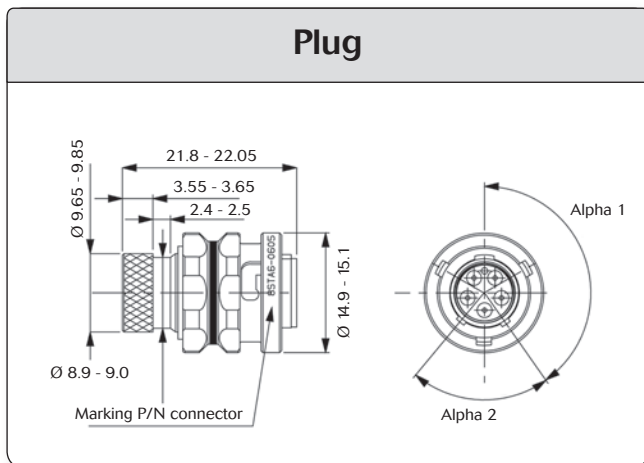


# 8STA shell size 06-05

## How to order

Basic series	8STA	0	06	05	P	N	-
Shell style	0: Oval flange receptacle (for front or rear mounting) 1: In-line receptacle 2: Oval flange receptacle with PCB contacts 6: Plug						
Shell size	06						
Contact layouts	05 (5 contacts #26)						
Type of contacts	P: Pin contacts S: Socket contacts						
Orientations	N: Red / A: Yellow / B: Blue / C: Orange / D: Green / U: Universal						
Specification	- : Standard version 528: Integrated nut on the flange - M2.5 insert (only for shell style 0 & 2) - for more details, please see page 45-48						

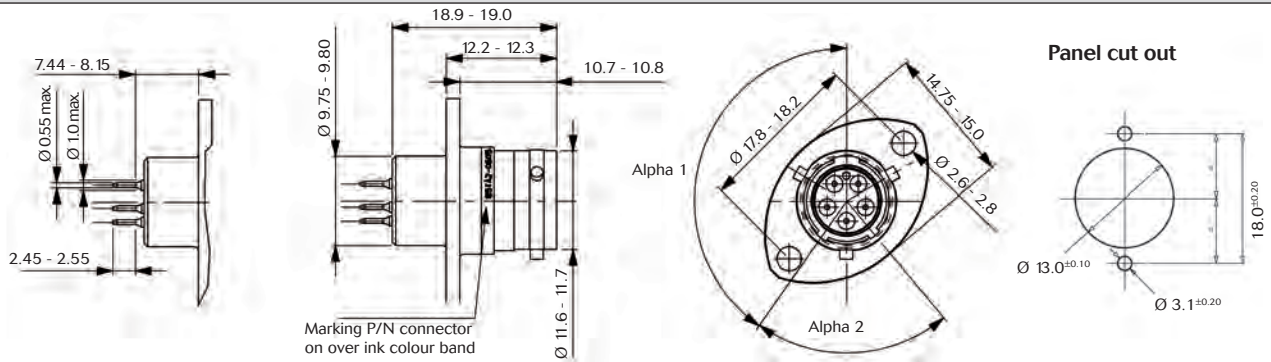
## Range presentation



# 8STA shell size 06-05



## Oval flange receptacle with PCB contacts



## Orientation

Key positions	Alpha 1	Alpha 2	Colour band
N	145°	75°	RED
A	130°	120°	YELLOW
B	110°	120°	BLUE
C	155°	115°	ORANGE
D	90°	115°	GREEN
U	NONE	NONE	NONE

# 8STA shell size 06-05



## Contacts

Crimped & PCB contacts									
Contact size	Contact type	Contact Ø	Part numbers	Admissible wire section				External dia. over insulation (mm)	
				AWG		mm <sup>2</sup>		Min.	Max.
				Min.	Max.	Min.	Max.		
<b>Crimp contact</b>				Min.	Max.	Min.	Max.	Min.	Max.
26	Male	0.50	8599-7922 LY	30	24	0.095	0.24	0.60	0.83
	Female		8599-7923 900						
<b>PCB contact</b>			<b>Part numbers</b>						
26	Male	0.50	F1P1P3C-0001ALY						
	Female		F1P1ES3-2601A00						

Crimping tools					
Contact size	Wire sizes	Type	Locator part number	Plier part number	
			SOURIAU	Spec.	SOURIAU
26	24 to 30	Male	8599-0048	M22520/2-01	8476-01
		Female	8599-0049		

## Accessories

Insertion & extraction tool				
Contact size	Part numbers		Colour	
	Spec.	SOURIAU	Insertion	Extraction
26	M81969/14-01	-	Green	White



Shrinkable termination detail

Metal protective cap	
<b>Plug cap</b> 8STA806	
<b>Receptacle cap</b> 8STA906	