

8STA Power Connector

Description

- 8STA power connector with single contact #4 in shell size 12 for 10, 16, 25 and 35mm² wires.
- Rugged aluminium body to ensure long service time in the harshest environments.
- 6 colour-coded keyway orientations.
- Environmentally sealed.

Benefits

- Removable contact.
- Metal clip.
- Quick locking bayonet system.
- Compact design (shell size 12).
- Standard contact #4 from MIL-DTL 38999.



Application

Batteries, alternator or starter applications.

Technical features

Mechanical

- **Shell:**
Aluminium
- **Plating:**
Conductive black zinc
- **Insulator:**
PEEK black
- **Grommet & seal:**
Liquid silicone rubber
- **Contact:** Copper alloy
- **Plating:** Gold
- **Shock:**
300g for 3ms and MIL-S-901 grade A
- **Endurance:**
500 mating / unmating operations
- **Vibration:** 1
47m/s², 10 to 2000Hz
- **Contact retention:** 200N

Electrical

- **Contact rating:**
125Amp (continuous)
200Amp (2 minutes)
- **Contact resistance:**
(wire resistance included) 2m Ω
- **Insulation resistance at 500Vdc:** ≥ 5000 m Ω
- **Shell continuity:** ≤ 10 m Ω

Environmental

- **Working temperature:**
-55°C + 175°C
- **Sealing (mated connectors):**
IP67
- **Salt spray:**
48 hours

8STA Power Connector



Ordering information

Basic series	8STA	0	12	01	P	N	261
Shell type							
0: oval flange receptacle							
1: in line receptacle							
6: plug							
7: jam nut receptacle							
Shell size							
12							
Contact layout	Single way 1 contact#4						
Contact type							
P: pin	A: supplied without standard male contact						
S: Socket	B: supplied without standard female contact						
Orientation							
N: red – A: yellow – B: blue – C: orange – D: green – U: universal							
Specification							
261							

Note:

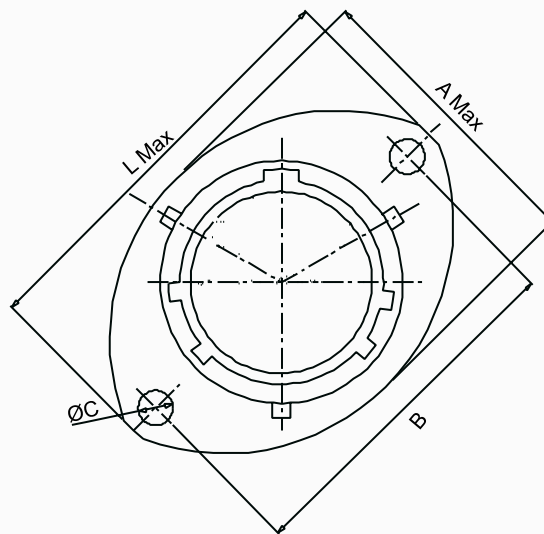
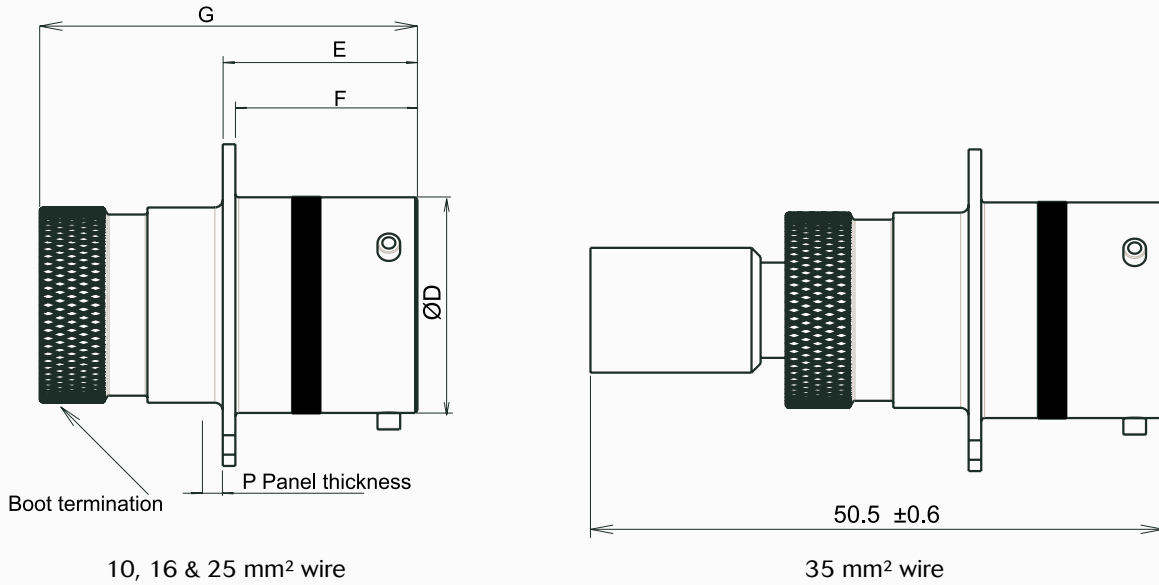
- 1) Standard connector P/N (ex.: 8STA01201PN261, 8STA61201SN261) is provided with contacts for 16mm² wire.
- 2) For wire 10mm²: order standard connector (note 1) + a reducing sleeve (8400 2351A) separately.
- 3) For wire 35mm²: order standard connector (note 1) + a widener (8599 7523) separately.
- 4) For wire 25 mm²: order connector without contacts (ex.: 8STA01201**A**N261, 8STA61201**B**N261), + pin (8599 7598) & socket (8599 7599) separately.

For more information about 8STA product range,
Please contact:
contactmilaero@souriau.com

8STA Power Connector



Oval flange receptacle (type 0)



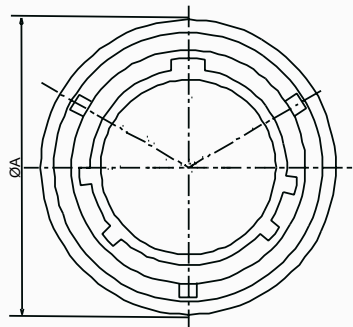
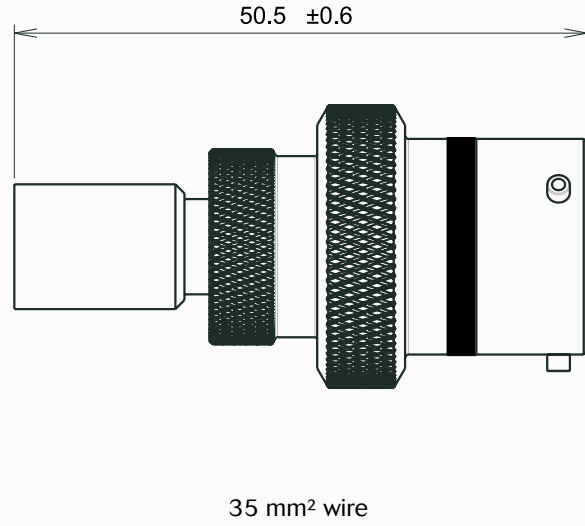
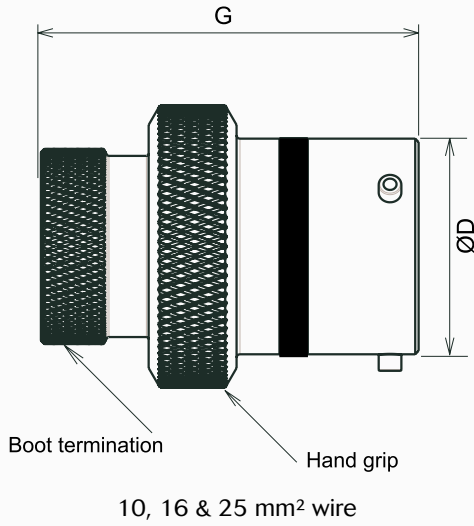
A Max	B ^{±0.20}	ØC ^{0/+0.1}	ØD ^{-0.13/+0.2}	E ^{0/+0.15}	F ^{-0.13/0}	G Max	L Max	P Max
24.00	29.10	3.20	19.05	17.21	16.05	33.50	35.20	3.00

Dimensions in mm.

8STA Power Connector



In line receptacle (type 1)



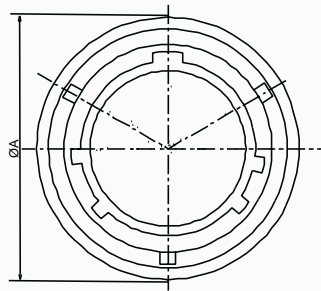
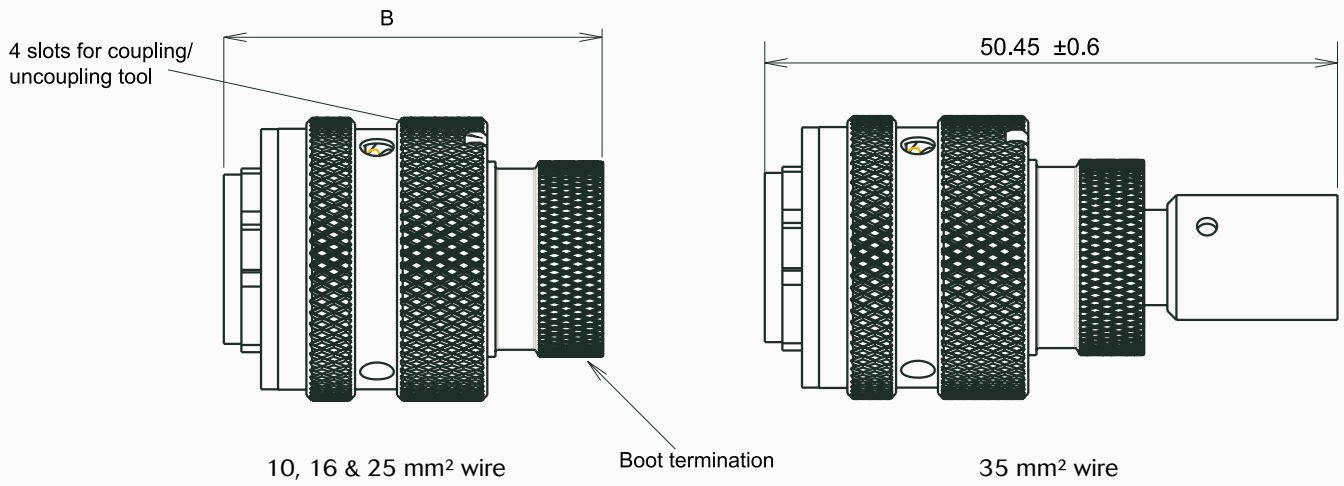
A Max	$\text{ØD}^{-0.13}_{+0.2}$	G Max
25.10	19.05	33.50

Dimensions in mm.

8STA Power Connector



Plug (type 6)



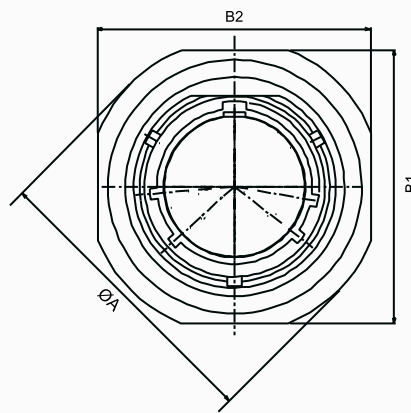
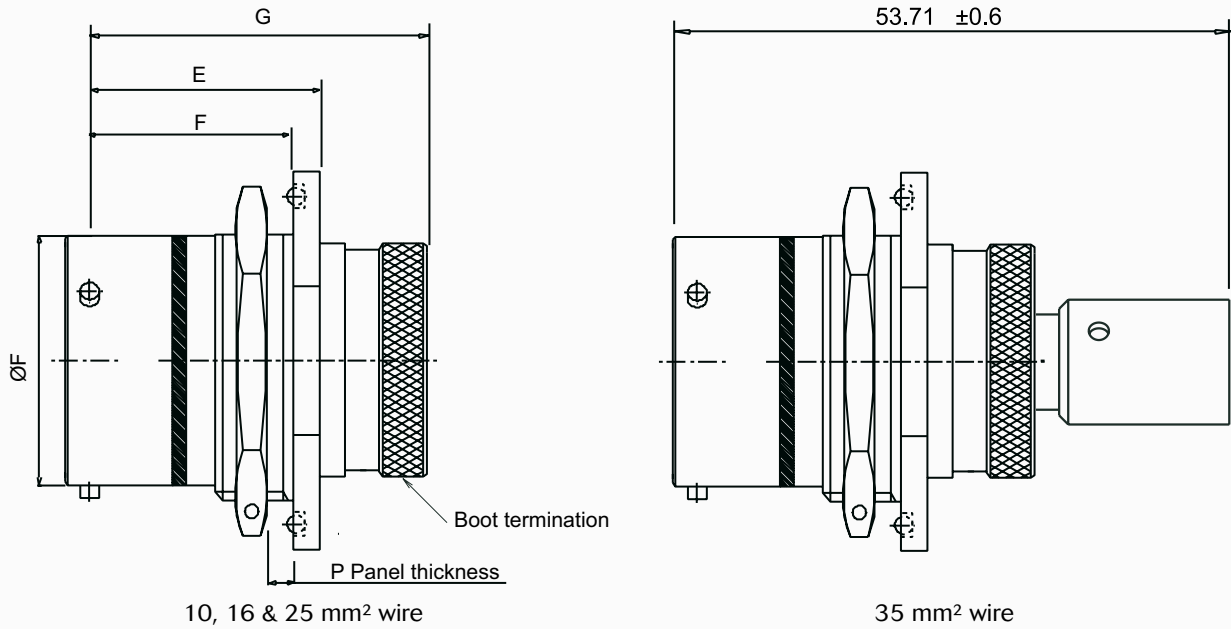
A Max	B Max
25.10	33.50

Dimensions in mm.

8STA Power Connector



Jam nut receptacle (type 7)



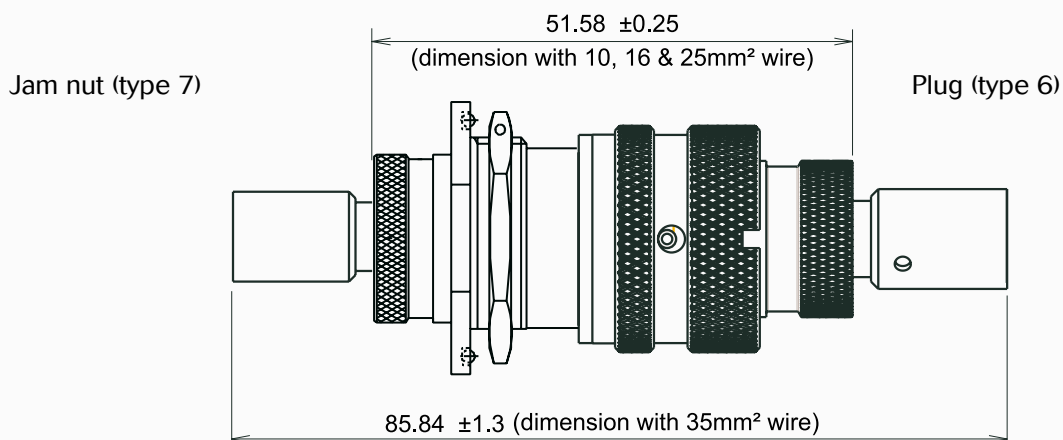
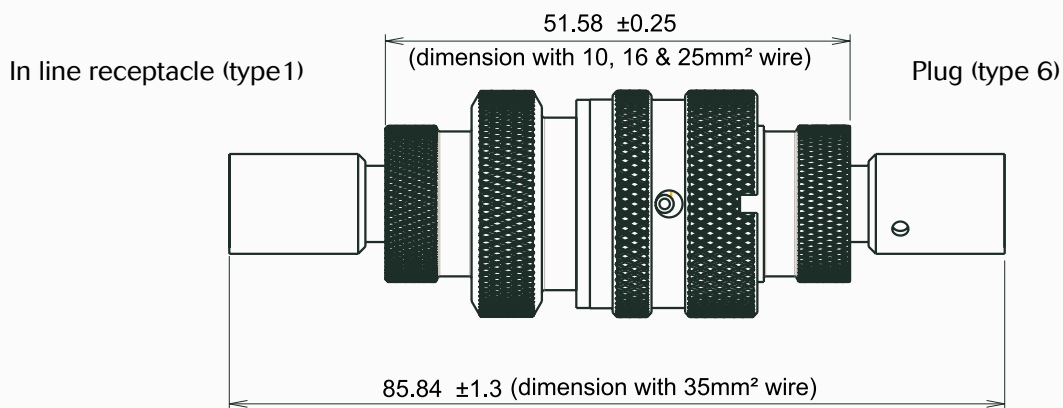
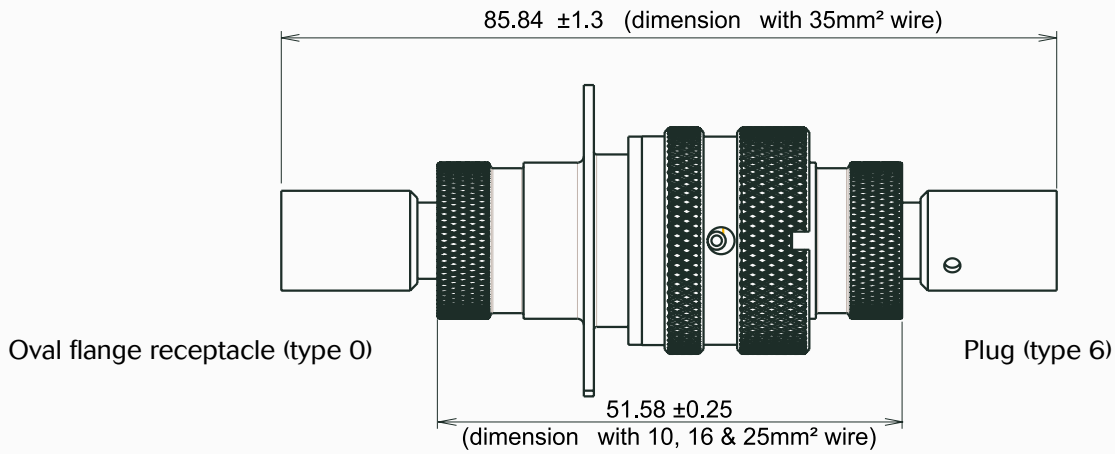
$A_{\pm 0.03}$	$B1 \& B2_{\pm 0.24}$	$\varnothing D_{-0.12/0}$	$E_{\pm 0.10}$	$F_{\pm 0.24}$	$G_{\pm 0.3}$	P Max
34.89	32.10	19.01	25.91	23.24	36.71	3.00

Dimensions in mm.

8STA Power Connector



Mated connector dimensions

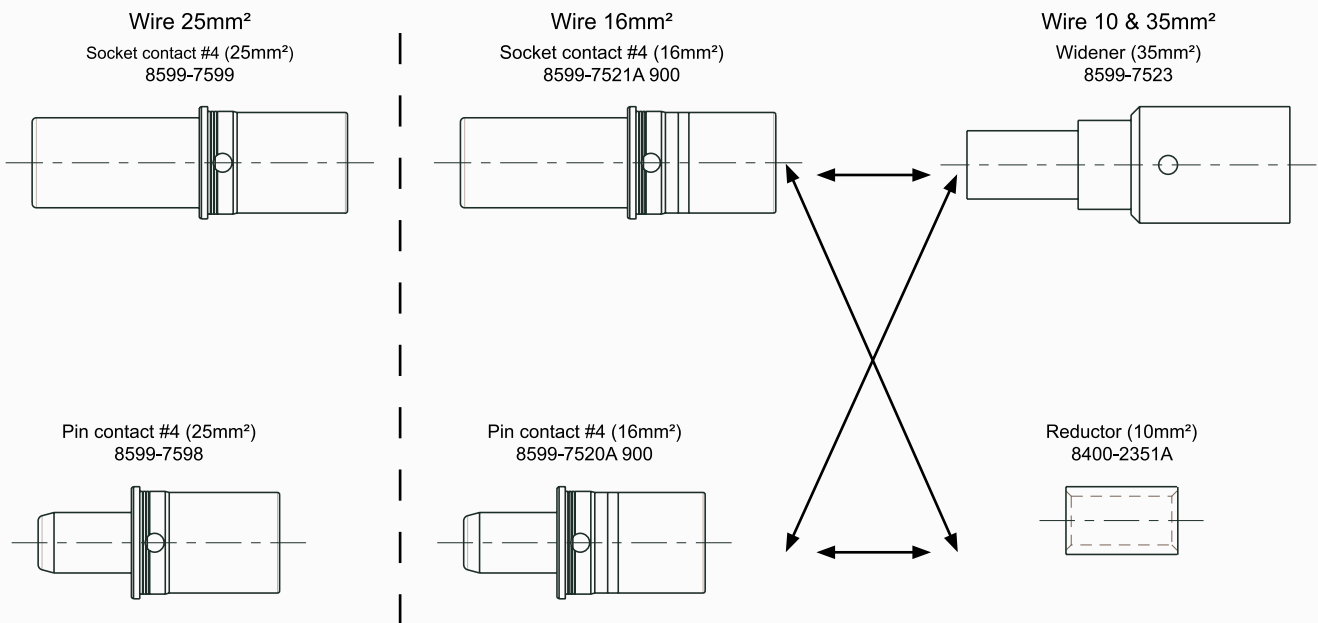


8STA Power Connector



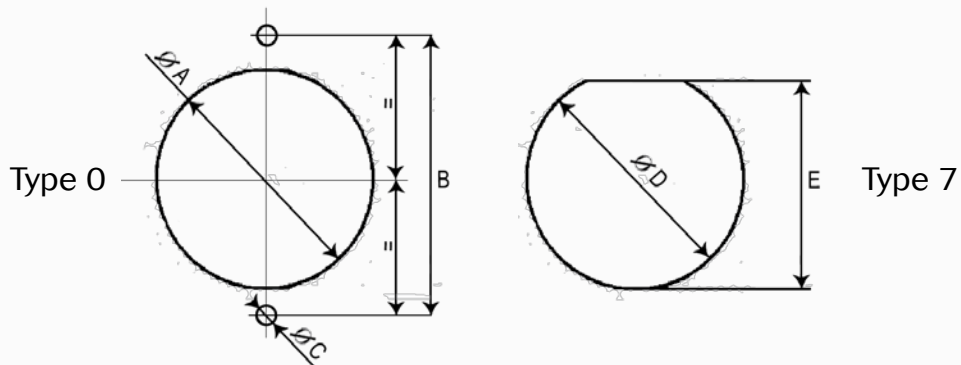
Contacts

Contact size	Contact type	Wire section	Part Number
4	Pin	25mm ²	85997598
	Socket		85997599
	Pin	16mm ²	8599 7520A900
	Socket		8599 7521A900
Adaptator for wire		35mm ²	85997523
		10mm ²	84002351A



Panel cut out

$\varnothing A \pm 0.10$	$B \pm 0.20$	$\varnothing C \pm 0.20$	$\varnothing D \pm 0.10$	$E \pm 0.20$
21.90	29.10	3.60	22.70	20.90



8STA Power Connector



Accessories

Extraction tool

Contact size	Material	Part Number
4	Plastic	M81969/14-07
	Metallic	8533-8175



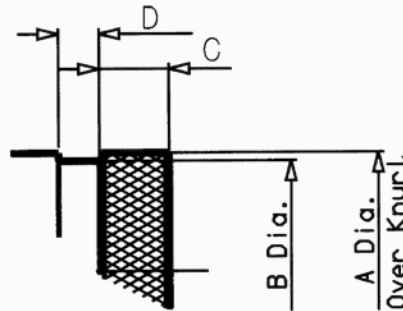
Metallic



Plastic

Shrinkable termination detail

$\varnothing A$	$\varnothing B \pm 0.05$	$C \pm 0.05$	$D \pm 0.05$
17.26	16.02	6	3.5



Crimping tools

Contact type	Pliers*	Die set	Locator
Pin	M22520/23-01	M22520/23-04	M22520/23-11
Socket			

* Pneumatic pliers



Pliers



Die set



Locator

Wire stripping

L = 12mm



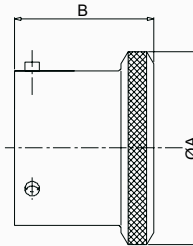
8STA Power Connector



Accessories

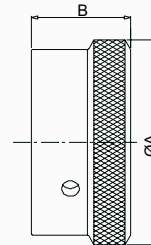
Metallic protective cap (8STA812 for plug)

A Max = 24.50mm
B Max = 21.00mm



Metallic protective cap (8STA912 for receptacle)

A Max = 26.10mm
B Max = 14.20mm



Nut plates

P/N	T THR'O	A-A	A	B ± 0.25	C ± 0.26	D	E ± 0.26
8STA 12	M3x.5	29.10	20.62	27.89	10.51	2.48/3.70	6.68

