

SPECIFICATIONS

Mechanical

Contact Retention Force: 1.0Kg min.

Electrical

Voltage Rating: 750V

Current Rating: 1A

Contact Resistance: 55mΩ max.

Dielectrical Withstanding Voltage: 1000V

Insulation Resistance: 1000MΩ min.

Physical

Housing: LCP, UL 94-0 rated, Ivory White

Contact: Phosphor Bronze

Plating: See "ORDERING INFORMATION"

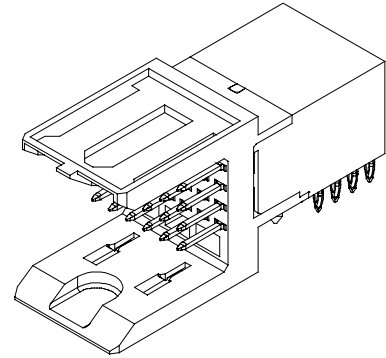
FUTURE BUS CONNECTOR

1F Series

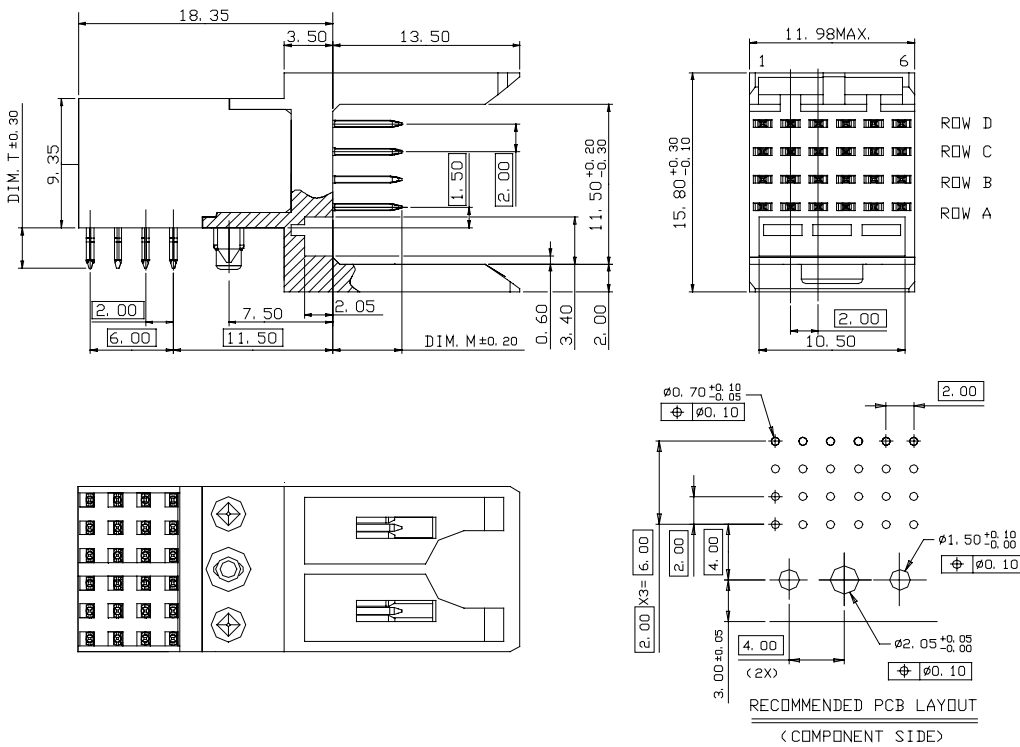
Header Press Fit Type

2.0mm Pitch

5 Rows



DRAWING



ORDERING INFORMATION

PART LIST	
POS. NO.	1 F 1 1 0 2 4 * - P * * C 0 * - * *
024: 24POS.	
PLATING SPEC.	
1:GOLD FLASH	
3:0.76um(30u")MIN. GOLD PLATING	
5:1.27um(50u")MIN. GOLD PLATING	
6:0.25um(10u")MIN. GOLD PLATING	
A:0.76um(30u")MIN. FPT PLATING.	
0.25um(10u")MIN. GOLD INCLUDED.	
TAIL STYLE	
P:PRESS FIT TYPE	
TAIL LENGTH(DIM.T)	
8:2.9mm	
LEAD FREE CODE	
N:NONE	
F:LEAD FREE PLATING	
PACKAGE TYPE	
A:TUBE	
EXTENSION CODE	
N,T,L,R	
BODY STYLE	
MATING LENGTH(DIM.M)	
1:5.00mm	
2:5.75mm	
3:6.50mm	
4:7.25mm	
5:8.00mm	