

THIS DRAWING IS UNPUBLISHED.

RELEASED FOR PUBLICATION

ALL RIGHTS RESERVED.

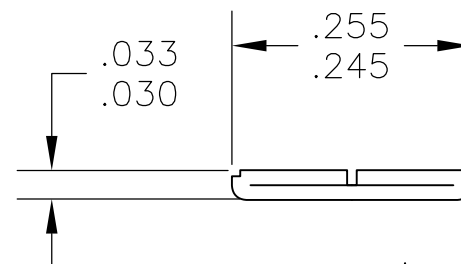
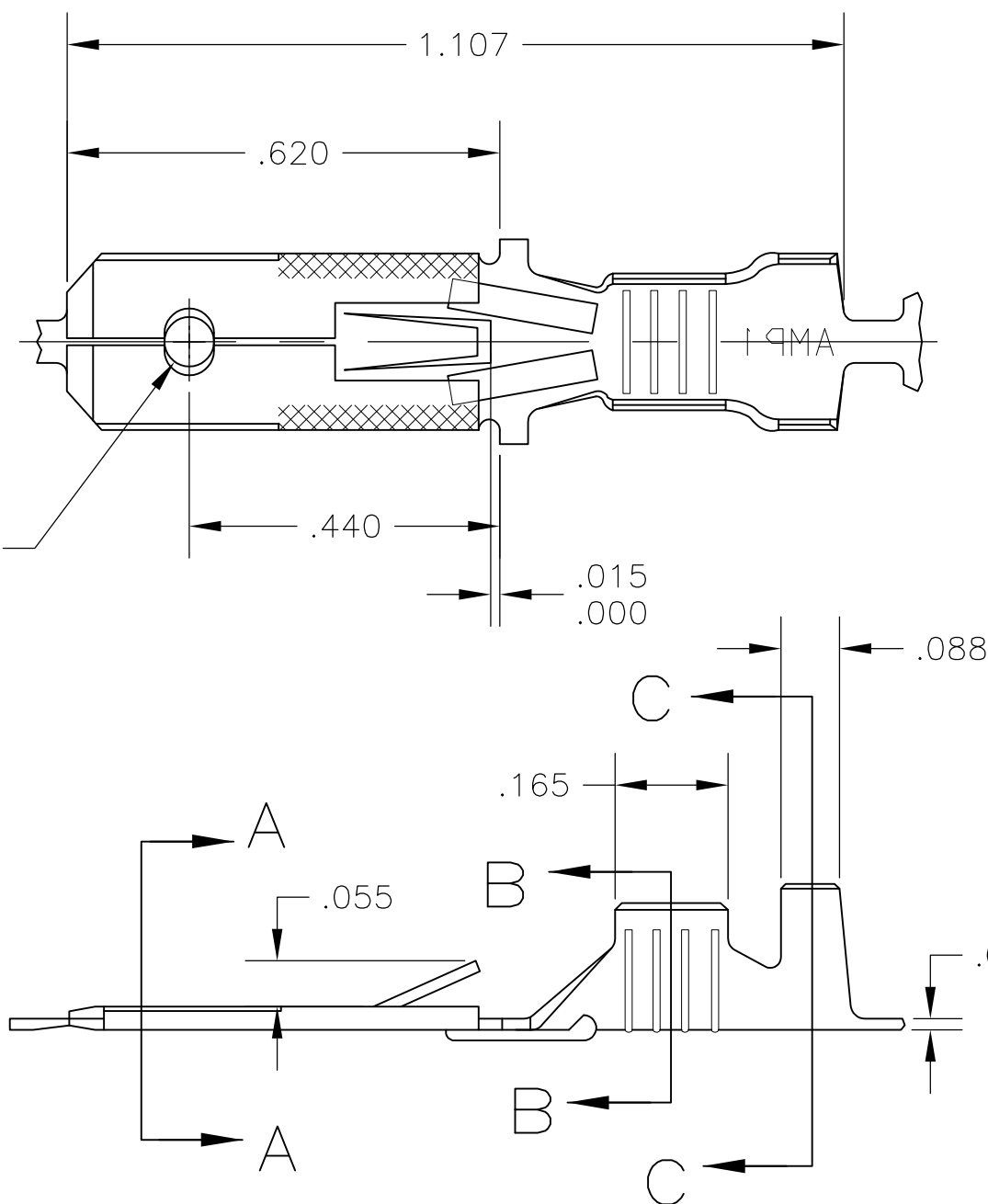
© COPYRIGHT - By -

LOC AF DIST 50

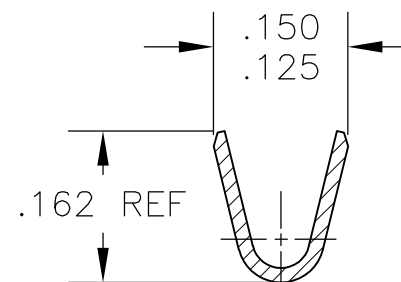
REVISIONS

P	LTR	DESCRIPTION	DATE	DWN	APVD
	AB	REVISED PER ECR-11-018063	21DEC11	KH	PD

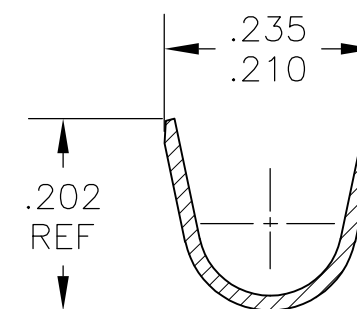
- 1 CONTINUOUS STRIP ON REELS.
- 2 WIRE SIZE IS #18-#14.
- 3 INSULATION RANGE IS .100-.170 DIA.
- 4 FOREIGN PRODUCTION ONLY.
- 5 PREPRODUCTION - FASR REQUIRED.
- 6 PRELIMINARY - NOT FOR PRODUCTION.



SECTION A-A SCALE 5:1



SECTION B-B SCALE 5:1



SECTION C-C SCALE 5:1

NICKEL	#2H BRASS	6	42460-9
PRE-TIN	#2H BRASS	4 5	42460-8
<del>OBSOLETE SILVER .000120 MIN</del>	<del>#2H BRASS</del>		<del>42460-7</del>
-	#2H PHOS BRZ		42460-6
PRE-TIN	#2H BRASS		42460-5
<del>OBSOLETE TIN .000080 MIN</del>	<del>#2H PHOS BRZ</del>		<del>42460-4</del>
SILVER .000120 MIN			42460-3
TIN	#2H BRASS		42460-2
-			42460-1
FINISH	MATERIAL		PART NO

THIS DRAWING IS A CONTROLLED DOCUMENT.		DWN JR RUTH 9/17/90	TE Connectivity TAB, FASTIN-FASTON, .250 SERIES			
DIMENSIONS: INCHES		CHK MS FEHER 9/17/90				
TOLERANCES UNLESS OTHERWISE SPECIFIED:		APVD R KUZO 9/17/90				
0 PLC ± - 1 PLC ± - 2 PLC ± - 3 PLC ± .015 4 PLC ± - ANGLES ± -		NAME				
MATERIAL SEE TABLE	FINISH SEE TABLE	PRODUCT SPEC -	SIZE A3	CAGE CODE 00779	DRAWING NO C-42460	RESTRICTED TO -
CUSTOMER DRAWING		WEIGHT -	SCALE 4:1	SHEET 1 OF 1	REV AB	