




TRANSFORMERS

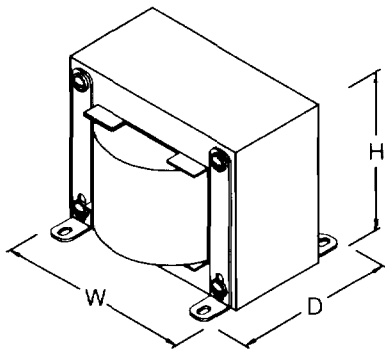
GENERAL PURPOSE – SINGLE PHASE

OPEN & ENCLOSED CONSTRUCTION

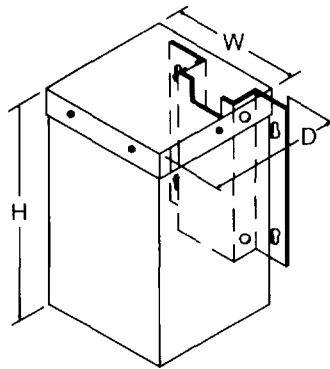
Daykin General Purpose Transformers are available in designs suitable for indoor or outdoor service. They are perfect for general applications such as lighting, heating and equipment loads in commercial, office buildings and industrial plants.

Features

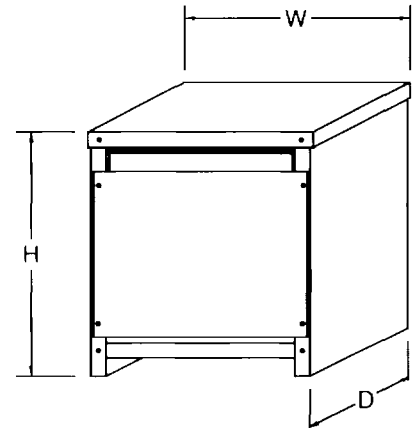
- Open construction available for use where adverse conditions do not exist or for mounting in existing enclosure.
- Enclosure construction available for use where dirt, corrosion or weather may be a factor.
- Enclosed units from 250 VA through 10 KVA are epoxy encapsulated in wall mount metal enclosures.
- Enclosed units from 15 KVA through 225 KVA are floor mount, ventilated construction.
- Many non-standard designs are available. Contact the factory for further information.
-  insulation system (File No. 95780).



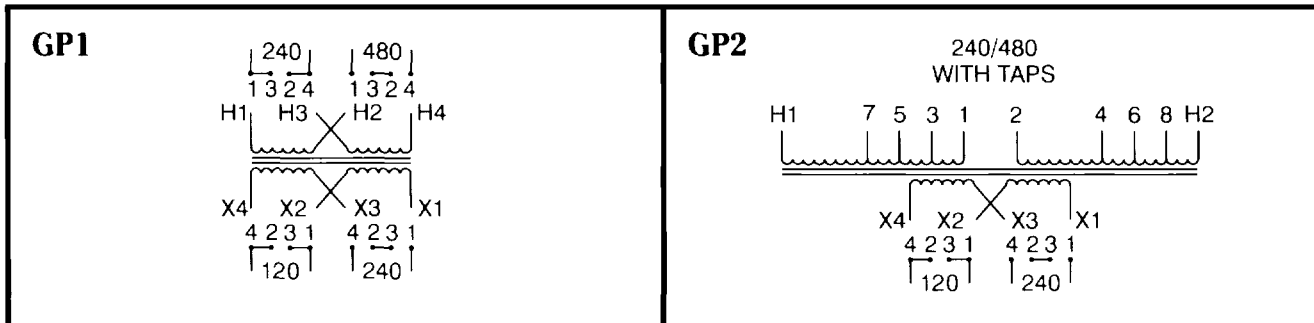
Type A
OPEN CONSTRUCTION



Type B
ENCAPSULATED CONSTRUCTION



Type C
ENCLOSED VENTILATED CONSTRUCTION





TRANSFORMERS

GENERAL PURPOSE – SINGLE PHASE

OPEN & ENCLOSED CONSTRUCTION

Single Phase 240/480 Volt Open & Enclosed Construction

		Primary 240/480V					Secondary 120/240V					60 Hz	
KVA Rating	Open						Enclosed						
	Part No.	H	W	D	Const. Type	Elec. Conn.	Part No.	H	W	D	Const. Type	Elec. Conn.	
.250	TF250P	4.00	4.50	4.00	A	GP1	TF250EP	9.25	5.50	6.13	B	GP1	
.500	TF500P	4.38	5.25	4.38	A	GP1	TF500EP	10.25	6.25	6.75	B	GP1	
.750	TF750P	4.38	5.25	5.00	A	GP1	TF750EP	10.25	6.25	6.75	B	GP1	
1.00	TF1000P	5.50	6.38	5.13	A	GP1	TF1000EP	12.25	7.63	8.50	B	GP1	
1.5	TF1500P	5.50	6.38	5.63	A	GP1	TF1500EP	12.25	7.63	8.50	B	GP1	
2	TF2000P	5.50	6.38	6.38	A	GP1	TF2000EP	12.25	7.63	8.50	B	GP1	
3	TF3000P	6.50	7.50	7.25	A	GP1	TF3000EP	13.75	8.75	9.38	B	GP1	
5	TF5000P	7.88	9.00	7.88	A	GP1	TF5000EP	17.25	10.25	10.63	B	GP1	
7.5	TF7500P	7.88	9.00	9.25	A	GP1	TF7500EP	17.25	10.25	10.63	B	GP1	
10	TF10000P	7.88	9.00	11.00	A	GP1	TF10000EP	17.25	10.25	10.63	B	GP1	
15	TH15000P	11.00	12.00	10.50	A	GP2	TH15000EP	22.25	16.25	14.25	C	GP2	
25	TH25000P	11.00	12.00	13.50	A	GP2	TH25000EP	22.25	16.25	14.25	C	GP2	
37.5	TH37500P	11.50	15.00	13.25	A	GP2	TH37500EP	24.25	20.25	18.25	C	GP2	
50	TH50000P	11.50	15.00	15.50	A	GP2	TH50000EP	24.25	20.25	18.25	C	GP2	
75	TH75000P	16.00	24.00	15.00	A	GP2	TH75000EP	27.25	25.25	24.25	C	GP2	
100	TH100000P	16.00	24.00	20.00	A	GP2	TH100000EP	27.25	25.25	24.25	C	GP2	

Single Phase 570/585/600 Volt Enclosed Construction

		Primary 570/585/600V					Secondary 120/240V					60 Hz 115° C Rise	
KVA Rating	Part Number	H	W	D	Const. Type	GP3							
						1	TF1000EN-1017	12.25	7.63	8.50	B		
3	TF3000EN-1018	13.75	8.75	9.38	B								
5	TF5000EN-1019	17.25	10.25	10.63	B								
7.5	TF7500EN-1020	17.25	10.25	10.63	B								

Single Phase Multiple Volt Enclosed Construction

		Primary 190/200/208/220/380/400/416/440V					Secondary 110/220V					50/60 Hz 115° C Rise	
KVA Rating	Part Number	H	W	D	Const. Type	GP4							
						1	TF1000EN-1026	12.25	7.63	8.50	B		
3	TF3000EN-1027	13.75	8.75	9.38	B								
5	TF5000EN-1028	17.25	10.25	10.63	B								
7.5	TF7500EN-1029	17.25	10.25	10.63	B								

TRANSFORMERS