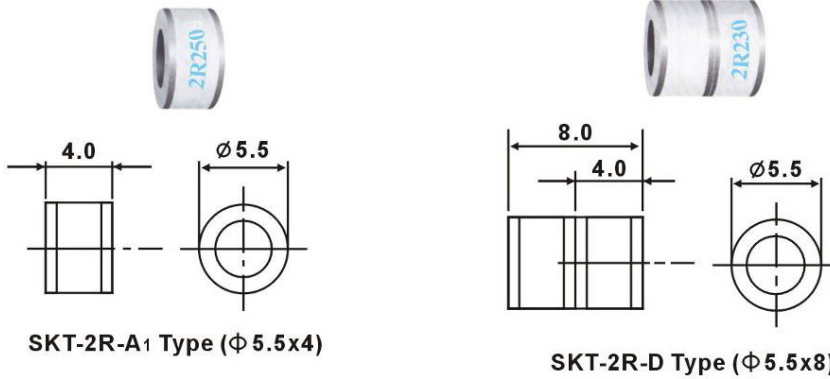


## SKT - Surge Arresters

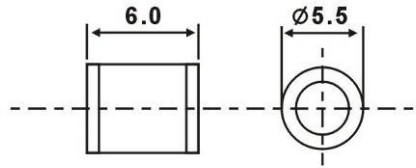
### 2-Electrode Ceramic Surge Arrester

■ COMMON DIMENSIONS



| Electrical Characteristics              |                                  |                                       |  |   |  |                    |                         |                |
|---|----------------------------------|---------------------------------------|--|---|--|--------------------|-------------------------|----------------|
| Type                                    | DC spark-over voltage (100V/s) V | Impulse spark-over voltage (1KV/us) V | Impulse discharge current (10/1000us 300times) A | Impulse discharge current (8/20us 10times) KA | AC discharge current (50Hz 1s 5 times) A | Holdover Voltage V | Insulation resistance Ω | Capacitance pF |
| SKT-2R-75A <sub>1</sub><br>SKT-2R-75D   | 75±25%                           | ≤600                                  | 50   | 5   | 5  | /                  | ≥10 <sup>10</sup>       | <1.5           |
| SKT-2R-90A <sub>1</sub><br>SKT-2R-90D   | 90±25%                           | ≤600                                  | 50   | 5   | 5  | /                  | ≥10 <sup>10</sup>       | <1.5           |
| SKT-2R-150A <sub>1</sub><br>SKT-2R-150D | 150±20%                          | ≤700                                  | 100  | 5   | 5  | 80                 | ≥10 <sup>10</sup>       | <1             |
| SKT-2R-230A <sub>1</sub><br>SKT-2R-230D | 230 +30<br>-40                   | ≤800                                  | 100  | 5   | 5  | 135                | ≥10 <sup>10</sup>       | <1             |
| SKT-2R-250A <sub>1</sub><br>SKT-2R-250D | 250±20%                          | ≤800                                  | 100  | 5   | 5  | 135                | ≥10 <sup>10</sup>       | <1             |
| SKT-2R-350A <sub>1</sub><br>SKT-2R-350D | 350±15%                          | ≤800                                  | 100  | 5   | 5  | 135                | ≥10 <sup>10</sup>       | <1             |

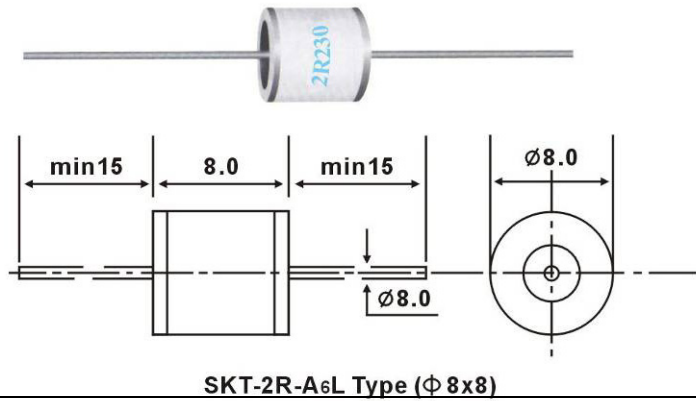
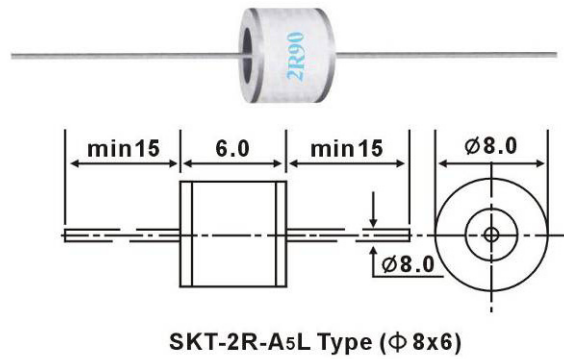
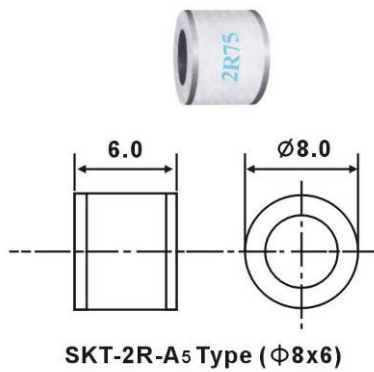
Note: Specification are subject to change without notice.

**COMMON DIMENSIONS**

**SKT-2R-A2 Type (Φ 5.5x6)**

| Electrical Characteristics |                                  |                                       |  |   |  |                    |                         |                |
|----------------------------|----------------------------------|---------------------------------------|--|---|--|--------------------|-------------------------|----------------|
| Type                       | DC spark-over voltage (100V/s) V | Impulse spark-over voltage (1KV/us) V | Impulse discharge current (10/1000us 300times) A | Impulse discharge current (8/20us 10times) KA | AC discharge current (50Hz 1s 5 times) A | Holdover Voltage V | Insulation resistance Ω | Capacitance pF |
| SKT-2R-75A <sub>2</sub>    | 75±25%                           | ≤600                                  | 50   | 5   | 5  | /                  | ≥10 <sup>10</sup>       | <1.5           |
| SKT-2R-90A <sub>2</sub>    | 90±20%                           | ≤600                                  | 50   | 5   | 5  | /                  | ≥10 <sup>10</sup>       | <1.5           |
| SKT-2R-150A <sub>2</sub>   | 150±20%                          | ≤700                                  | 100  | 5   | 5  | 80                 | ≥10 <sup>10</sup>       | <1             |
| SKT-2R-230A <sub>2</sub>   | 230 +30<br>-40                   | ≤800                                  | 100  | 5   | 5  | 135                | ≥10 <sup>10</sup>       | <1             |
| SKT-2R-350A <sub>2</sub>   | 350±20%                          | ≤800                                  | 100  | 5   | 5  | 135                | ≥10 <sup>10</sup>       | <1             |
| SKT-2R-470A <sub>2</sub>   | 470±20%                          | ≤900                                  | 100  | 5   | 5  | 135                | ≥10 <sup>10</sup>       | <1             |
| SKT-2R-600A <sub>2</sub>   | 600±20%                          | ≤1200                                 | 100  | 5   | 5  | 135                | ≥10 <sup>10</sup>       | <1             |

Note: Specification are subject to change without notice.

■ COMMON DIMENSIONS

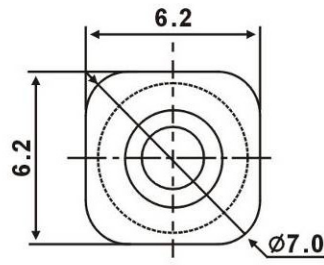
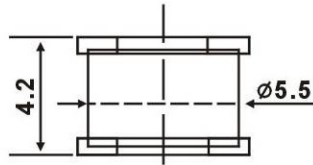


**Electrical Characteristics**

| Type   | DC spark-over voltage (100V/s) V | Impulse spark-over voltage (1KV/us) V | Impulse discharge current (10/1000us 300times) A | Impulse discharge current (8/20us 10times) KA | AC discharge current (50Hz 1s 5 times) A | Holdover Voltage V | Insulation resistance Ω | Capacitance pF |
|--|----------------------------------|---------------------------------------|--|---|--|--------------------|-------------------------|----------------|
| SKT-2R-75A <sub>5</sub><br>SKT-2R-75A <sub>5</sub> L<br>SKT-2R-75A <sub>6</sub> L    | 75±25%                           | ≤600                                  | 100  | 10  | 10                                       | /                  | ≥10 <sup>10</sup>       | <1.5           |
| SKT-2R-90A <sub>5</sub><br>SKT-2R-90A <sub>5</sub> L<br>SKT-2R-90A <sub>6</sub> L    | 90±25%                           | ≤600                                  | 100  | 10  | 10                                       | /                  | ≥10 <sup>10</sup>       | <1.5           |
| SKT-2R-150A <sub>5</sub><br>SKT-2R-150A <sub>5</sub> L<br>SKT-2R-150A <sub>6</sub> L | 150±20%                          | ≤700                                  | 100  | 10  | 10                                       | 80                 | ≥10 <sup>10</sup>       | <1             |
| SKT-2R-230A <sub>5</sub><br>SKT-2R-230A <sub>5</sub> L<br>SKT-2R-230A <sub>6</sub> L | 230 <sup>+30</sup><br>-40        | ≤800                                  | 100  | 10  | 10                                       | 135                | ≥10 <sup>10</sup>       | <1             |
| SKT-2R-350A <sub>5</sub><br>SKT-2R-350A <sub>5</sub> L<br>SKT-2R-350A <sub>6</sub> L | 350±20%                          | ≤800                                  | 100  | 10  | 10                                       | 135                | ≥10 <sup>10</sup>       | <1             |
| SKT-2R-470A <sub>5</sub><br>SKT-2R-470A <sub>5</sub> L<br>SKT-2R-470A <sub>6</sub> L | 470±20%                          | ≤900                                  | 100  | 10  | 10                                       | 135                | ≥10 <sup>10</sup>       | <1             |
| SKT-2R-600A <sub>5</sub><br>SKT-2R-600A <sub>5</sub> L<br>SKT-2R-600A <sub>6</sub> L | 600±20%                          | ≤1200                                 | 100  | 10  | 10                                       | 135                | ≥10 <sup>10</sup>       | <1             |
| SKT-2R-800A <sub>5</sub><br>SKT-2R-800A <sub>5</sub> L<br>SKT-2R-800A <sub>6</sub> L | 800±20%                          | ≤1400                                 | 100  | 10  | 10                                       | 135                | ≥10 <sup>10</sup>       | <1             |

Note: Specification are subject to change without notice.

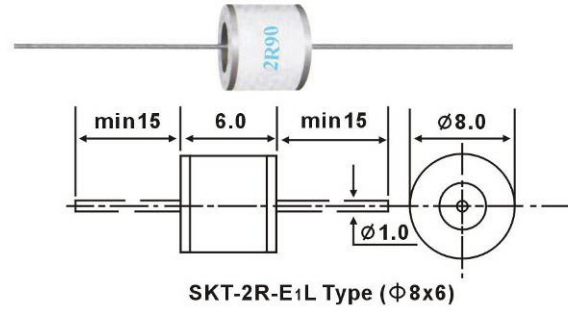
■ COMMON DIMENSIONS



SKT-2R-K Type (Φ 6.2x6.2x4.2)

| Electrical Characteristics |                                     |                                       |  |   |  |                    |                         |                |
|----------------------------|-------------------------------------|---------------------------------------|--|---|--|--------------------|-------------------------|----------------|
| Type                       | DC spark-over voltage (100V/s) V    | Impulse spark-over voltage (1KV/us) V | Impulse discharge current (10/1000us 300times) A | Impulse discharge current (8/20us 10times) KA | AC discharge current (50Hz 1s 5 times) A | Holdover Voltage V | Insulation resistance Ω | Capacitance pF |
| SKT-2R-90K                 | 90±25%                              | ≤600                                  | 50   | 10<br>5                                       | 10<br>5                                  | /                  | ≥10 <sup>10</sup>       | <1.5           |
| SKT-2R-230K                | 230 <sup>+30</sup> / <sub>-40</sub> | ≤800                                  | 100  | 10<br>5                                       | 10<br>5                                  | 135                | ≥10 <sup>10</sup>       | <1             |
| SKT-2R-350K                | 350±20%                             | ≤800                                  | 100  | 10<br>5                                       | 10<br>5                                  | 135                | ≥10 <sup>10</sup>       | <1             |

Note: Specification are subject to change without notice.

**COMMON DIMENSIONS**

**Electrical Characteristics**

| Type                        | DC spark-over voltage (100V/s) V | Impulse spark-over voltage (1KV/us) V | Impulse discharge current (10/1000us 300times) A | Impulse discharge current (8/20us 10times) KA | AC discharge current (50Hz 1s 5 times) A | Holdover Voltage V | Insulation resistance Ω |  | Capacitance pF |
|-----------------------------|----------------------------------|---------------------------------------|--|---|--|--------------------|-------------------------|--|----------------|
|                             |                                  |                                       |  |   |  |                    | Insulation resistance Ω |  |                |
| SKT-2R-90 E <sub>1</sub> L  | 90±25%                           | ≤600                                  | 100  | 20  | 20                                       | /                  | ≥10 <sup>10</sup>       |  | ≤1.5           |
| SKT-2R-150 E <sub>1</sub> L | 150±20%                          | ≤700                                  | 100  | 20  | 20                                       | 80                 | ≥10 <sup>10</sup>       |  | ≤1             |
| SKT-2R-230 E <sub>1</sub> L | 230±20%                          | ≤800                                  | 100  | 20  | 20                                       | 150                | ≥10 <sup>10</sup>       |  | ≤1             |
| SKT-2R-350 E <sub>1</sub> L | 350±20%                          | ≤800                                  | 100  | 20  | 20                                       | 150                | ≥10 <sup>10</sup>       |  | ≤1             |
| SKT-2R-470 E <sub>1</sub> L | 470±20%                          | ≤900                                  | 100  | 20  | 20                                       | 150                | ≥10 <sup>10</sup>       |  | ≤1             |
| SKT-2R-600 E <sub>1</sub> L | 600±20%                          | ≤1200                                 | 100  | 20  | 20                                       | 150                | ≥10 <sup>10</sup>       |  | ≤1             |

Note: Specification are subject to change without notice.