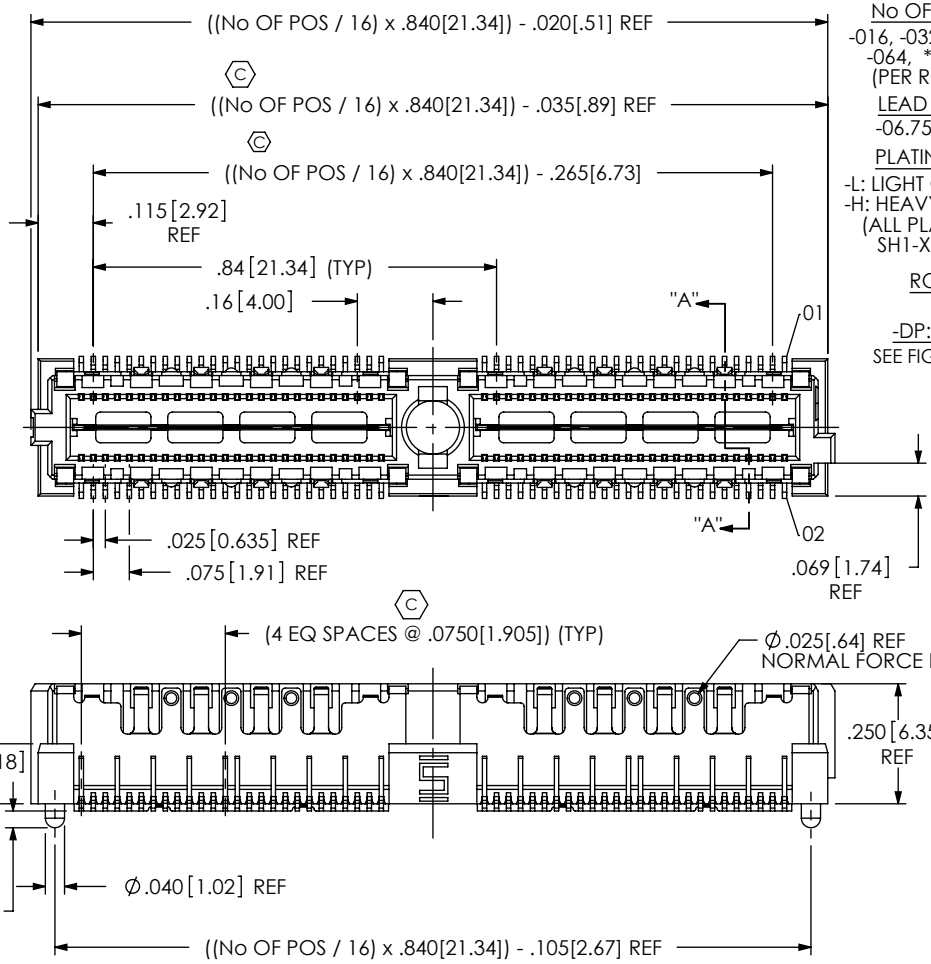


DO NOT SCALE FROM THIS PRINT

QMSS-XXX-XX.XX-X-D-DP-X-XXX-XX



No OF PAIRS
-016, -032, -048, -064, *-080 (PER ROW)

LEAD STYLE
-06.75 (SEE FIG. 1, SEE NOTE 9)

PLATING SPECIFICATION
-L: LIGHT GOLD (USE T-1M19-06.75-L)
-H: HEAVY GOLD (USE T-1M19-06.75-H)
(ALL PLATING STYLES USE SH1-XX-L & T-1G19-06.75-L)

ROW SPECIFICATION
-D: DOUBLE
-DP: DIFFERENTIAL PAIRS
SEE FIG. 1 FOR SHIELD BEAM CONFIGURATION

OPTION
**-A: ALIGNMENT PIN

* = NOT TOOLED
** = NOT AVAILABLE WITH PXX OPTION

PACKAGING OPTION
-TR: TAPE & REEL
(-016 THRU -048 WITHOUT OPTIONS
-GP OR -PXX, -016 THRU -032 WITH OPTIONS -GP OR -PXX)

OPTION
**-GP: GUIDE POSTS (SEE FIG. 3, SHEET 2)
**-K: KAPTON PAD (SEE FIG. 2, SHEET 2)
-PC4: POWER COMBO 4 (.062" THICK BOARD) (SEE FIG. 5, SHEET 3)
-PC8: POWER COMBO 8 (.062" THICK BOARD) (SEE FIG. 5, SHEET 3)
-PT4: POWER COMBO 4 (.093" THICK BOARD) (SEE FIG. 5, SHEET 3)
-PT8: POWER COMBO 8 (.093" THICK BOARD) (SEE FIG. 5, SHEET 3)

**[-PXX NOT AVAILABLE WITH -GP, -A, -K]
[-PXX AVAILABLE ON POSITIONS
-016, -032 & -048 ONLY AND ON
LEAD STYLE -06.75 ONLY]**

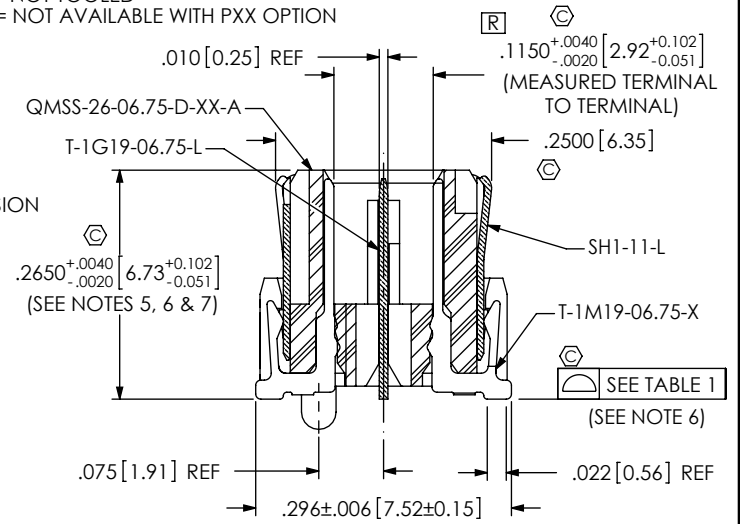
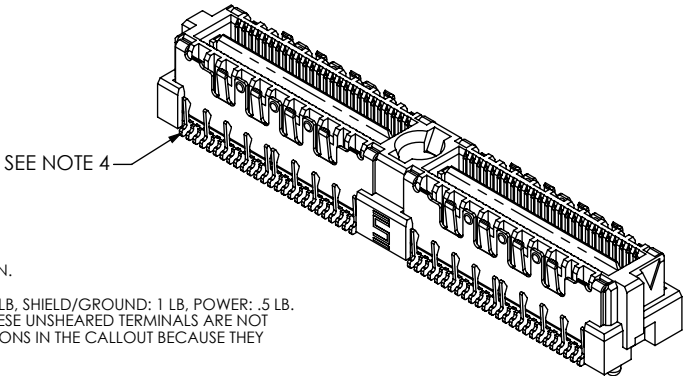


FIG. 1
-06.75 LEAD STYLE
(QMSS-032-06.75-X-D-DP-A SHOWN)
(MATED HEIGHT WITH QFSS-04.25: .433 [11.00] REF)

TABLE 1

| No OF PAIRS | No OF BANKS | COPLANARITY |
|----------------|-------------|-------------|
| -016 THRU -048 | 1 THRU 3 | .004[.10] |
| -064 AND -080 | 4 AND 5 | .006[.15] |



- NOTES:
1. \odot REPRESENTS A CRITICAL DIMENSION.
 2. BURR ALLOWANCE: .0015 MAX.
 3. MINIMUM PUSHOUT FORCE: SIGNAL: .5 LB. SHIELD/GROUND: 1 LB. POWER: .5 LB.
 4. DO NOT SHEAR TERMINALS SHOWN; THESE UNSHEARED TERMINALS ARE NOT CONSIDERED IN THE NUMBER OF POSITIONS IN THE CALLOUT BECAUSE THEY ARE GROUNDED TO THE SHIELDS.
 5. MAX VARIANCE OF .002.
 6. DIMENSION APPLIES TO CONTACTS & GROUND PLANE.
 7. GROUND PLANE PRESS HEIGHT MUST BE .003[.08] LESS THAN THE MAX HEIGHT OR .001[.03] GREATER THAN THE MINIMUM HEIGHT OF THE TERMINALS.
 8. PARTS TO BE PACKAGED IN TRAYS AS STANDARD.
 9. LEADSTYLE -11 MAY BE SUBSTITUTED IN PART CALLOUT FOR -06.75 FOR EXISTING CUSTOMERS ONLY

PATENT NUMBERS
6739884/ 7165994
7121849

UNLESS OTHERWISE SPECIFIED, DIMENSIONS ARE IN INCHES.
TOLERANCES ARE:
DECIMALS ANGLES
.XX: $\pm .01$ [.3] 2°
.XXX: $\pm .005$ [.13]
.XXXX: $\pm .0020$ [.051]

PROPRIETARY NOTE
THIS DOCUMENT CONTAINS INFORMATION CONFIDENTIAL AND PROPRIETARY TO SAMTEC, INC. AND SHALL NOT BE REPRODUCED OR TRANSFERRED TO OTHER DOCUMENTS OR DISCLOSED TO OTHERS OR USED FOR ANY PURPOSE OTHER THAN THAT WHICH IT WAS OBTAINED WITHOUT THE EXPRESSED WRITTEN CONSENT OF SAMTEC, INC.

MATERIAL: DO NOT SCALE DRAWING SHEET SCALE: 2.5:1
INSULATOR: LCP, COLOR: BLACK
TERMINAL, GROUND PLANE, & SHIELD: PHOS BRONZE

samtec

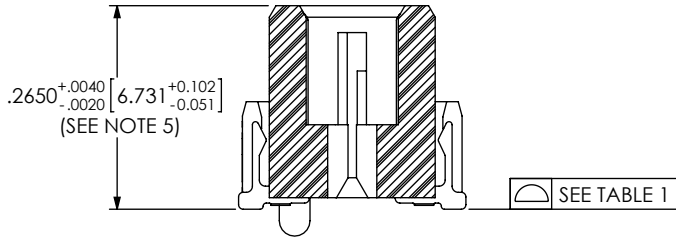
520 PARK EAST BLVD. NEW ALBANY, IN 47150
PHONE: 812-944-6733 FAX: 812-948-5047
e-Mail: info@SAMTEC.com code: 55322

DESCRIPTION:
.635mm DIFFERENTIAL PAIRS SHIELDED TERMINAL STRIP

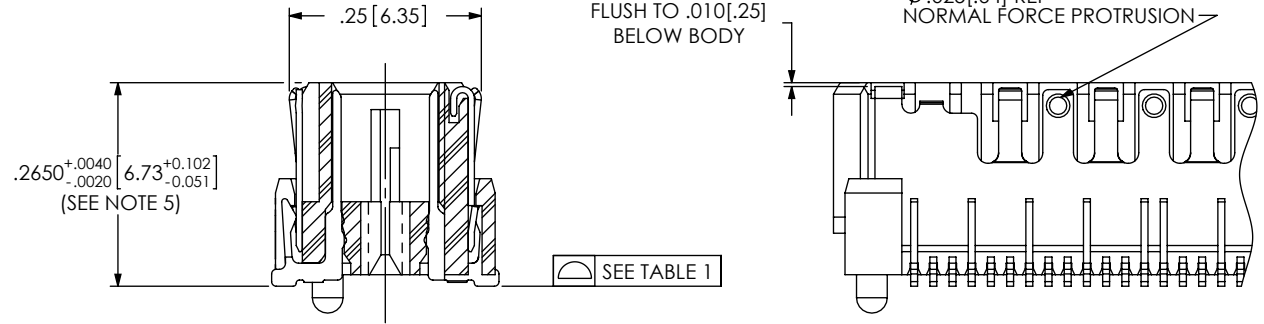
DWG. NO.
QMSS-XXX-XX.XX-X-D-DP-X-XXX-XX

BY: BRATCHER 08/12/03 SHEET 1 OF 3

IN-PROCESS 1



IN-PROCESS 2



TERMINAL DETAILS

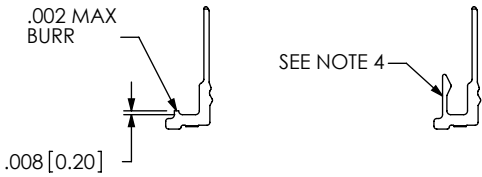


FIG. 3

-GP: GUIDE POST OPTION
(QMSS-032-06.75-X-D-DP-A-GP SHOWN)

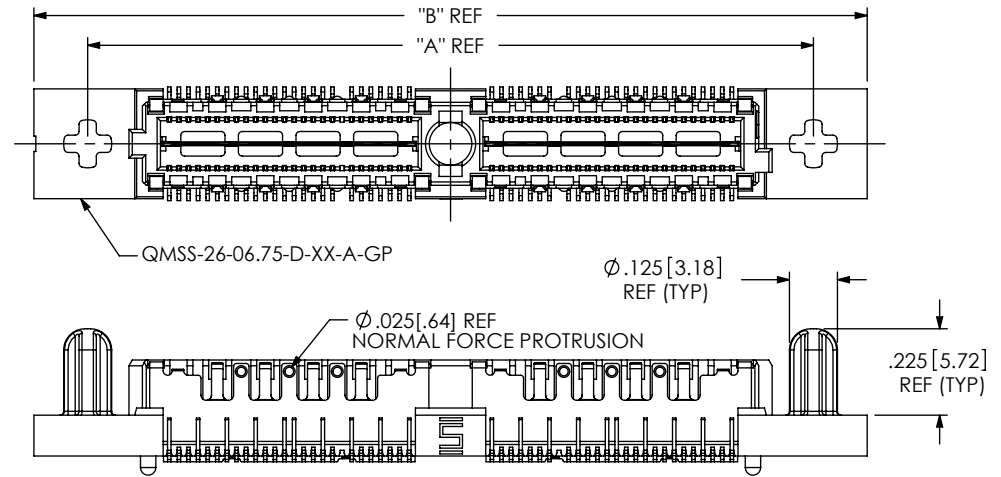


FIG. 2

-K: KAPTON PAD OPTION
(USE K-500-300)
(QMSS-032-06.75-X-D-DP-A-K SHOWN)

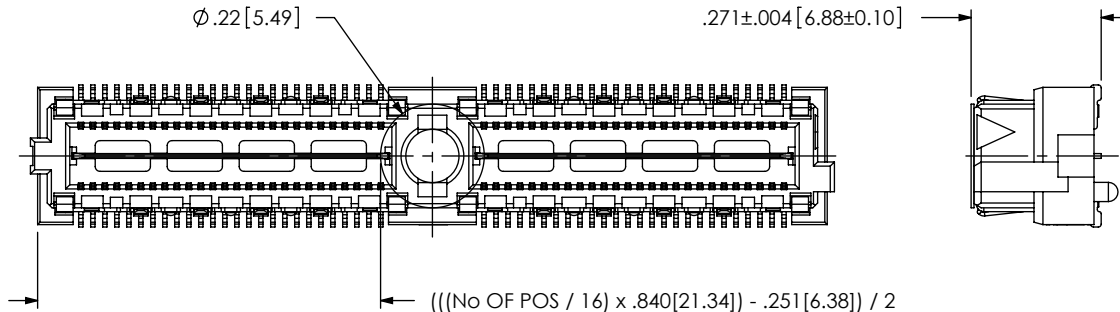


TABLE 2

| ASSEMBLY | "A" | "B" |
|-----------------------|----------------|----------------|
| QMSS-016-06.75-X-D-GP | 1.050 [26.67] | 1.330 [33.78] |
| QMSS-032-06.75-X-D-GP | 1.890 [48.00] | 2.170 [55.12] |
| QMSS-048-06.75-X-D-GP | 2.730 [69.34] | 3.010 [76.45] |
| QMSS-064-06.75-X-D-GP | 3.570 [90.68] | 3.850 [97.79] |
| QMSS-080-06.75-X-D-GP | 4.410 [112.01] | 4.690 [119.13] |

PROPRIETARY NOTE

THIS DOCUMENT CONTAINS INFORMATION CONFIDENTIAL AND PROPRIETARY TO SAMTEC, INC. AND SHALL NOT BE REPRODUCED OR TRANSFERRED TO OTHER DOCUMENTS OR DISCLOSED TO OTHERS OR USED FOR ANY PURPOSE OTHER THAN THAT WHICH IT WAS OBTAINED WITHOUT THE EXPRESSED WRITTEN CONSENT OF SAMTEC, INC.

DO NOT SCALE DRAWING

SHEET SCALE: 2.5:1

samtec

520 PARK EAST BLVD, NEW ALBANY, IN 47150
PHONE: 812-944-6733 FAX: 812-948-5047
e-Mail: info@SAMTEC.com code: 55322

DESCRIPTION:
.635mm DIFFERENTIAL PAIRS SHIELDED TERMINAL STRIP

DWG. NO.
QMSS-XXX-XX.XX-X-D-DP-X-XXX-XX

BY: BRATCHER 08/12/03 SHEET 2 OF 3

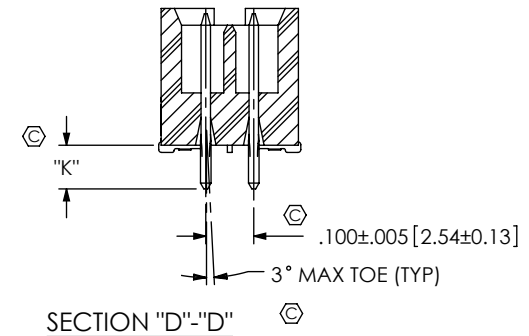
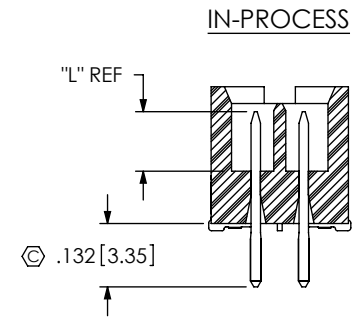
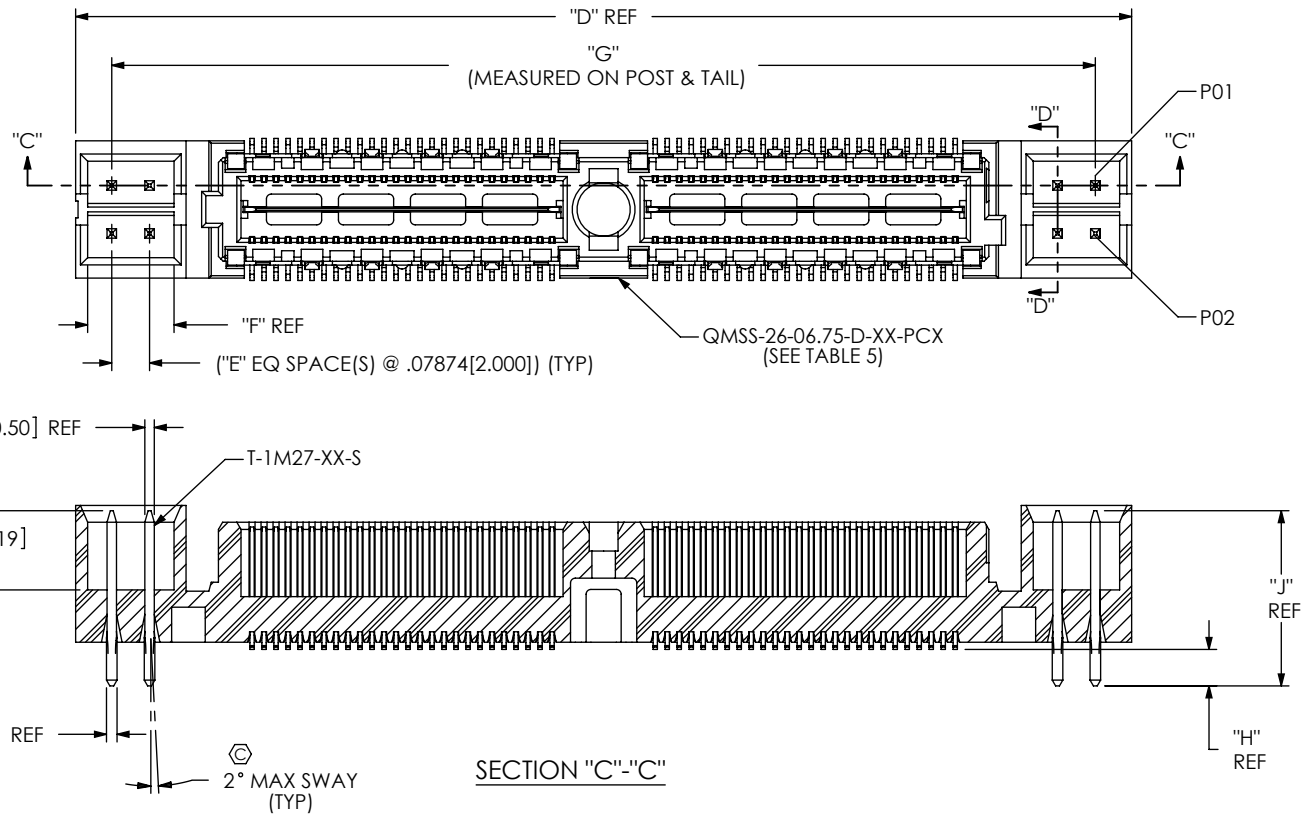


FIG. 5 -PXX OPTION
 POWER COMBO OPTIONS
 QMSS-032-06.75-X-D-DP-PC4 SHOWN
 (SAME AS FIG. 1, UNLESS OTHERWISE STATED)
 [NOT AVAILABLE WITH -GP, -A, OR -K OPTION]
 [AVAILABLE ON -016, -032 & -048 POSITIONS ONLY]

| ASSEMBLY | BODY | "D" | "E" | "F" | "G" |
|---------------------------|------------------------|--------------|-----|------------|--------------|
| QMSS-016-06.75-X-DP-X-PX4 | QMSS-26-06.75-D-01-PC4 | 1.360[34.54] | 1 | .180[4.57] | 1.209[30.71] |
| QMSS-016-06.75-X-DP-X-PX8 | QMSS-26-06.75-D-01-PC8 | 1.675[42.55] | 3 | .337[8.56] | 1.524[38.71] |
| QMSS-032-06.75-X-DP-X-PX4 | QMSS-26-06.75-D-02-PC4 | 2.200[55.88] | 1 | .180[4.57] | 2.049[52.04] |
| QMSS-032-06.75-X-DP-X-PX8 | QMSS-26-06.75-D-02-PC8 | 2.515[63.88] | 3 | .337[8.56] | 2.364[60.05] |
| QMSS-048-06.75-X-DP-X-PX4 | QMSS-26-06.75-D-03-PC4 | 3.040[77.22] | 1 | .180[4.57] | 2.889[73.38] |
| QMSS-048-06.75-X-DP-X-PX8 | QMSS-26-06.75-D-03-PC8 | 3.355[85.22] | 3 | .337[8.56] | 3.204[81.38] |

| POWER OPTION | TERMINAL | "H" | "J" | "K" | "L" |
|--------------|-------------|------------|-------------|------------|------------|
| PC4 / PC8 | T-1M27-01-S | .076[1.93] | .365[9.27] | .091[2.31] | .124[3.15] |
| PT4 / PT8 | T-1M27-03-S | .111[2.82] | .400[10.16] | .126[3.20] | .159[4.04] |

PROPRIETARY NOTE
 THIS DOCUMENT CONTAINS INFORMATION
 CONFIDENTIAL AND PROPRIETARY TO
 SAMTEC, INC. AND SHALL NOT BE REPRODUCED
 OR TRANSFERRED TO OTHER DOCUMENTS OR
 DISCLOSED TO OTHERS OR USED FOR ANY
 PURPOSE OTHER THAN THAT WHICH IT WAS
 OBTAINED WITHOUT THE EXPRESSED WRITTEN
 CONSENT OF SAMTEC, INC.

DO NOT SCALE DRAWING

SHEET SCALE: 2.5:1



520 PARK EAST BLVD, NEW ALBANY, IN 47150
 PHONE: 812-944-6733 FAX: 812-948-5047
 e-Mail: info@SAMTEC.com code: 55322

DESCRIPTION:
 .635mm DIFFERENTIAL PAIRS SHIELDED TERMINAL STRIP
 DWG. NO.
 QMSS-XXX-XX.XX-X-D-DP-X-XXX-XX
 BY: BRATCHER 08/12/03 SHEET 3 OF 3