

MICRO SWITCH
 FREEPORT, ILLINOIS, U.S.A.
 A DIVISION OF HONEYWELL
 FED. MFG. CODE 91929

SWITCH-TOGGLE

CATALOG LISTING
12TL1 SERIES
CHART 2

MILITARY STANDARD NUMBER

CATALOG LISTING
 6

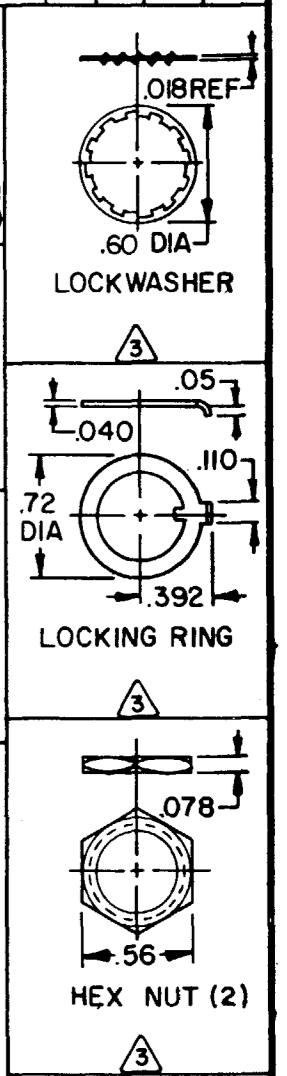
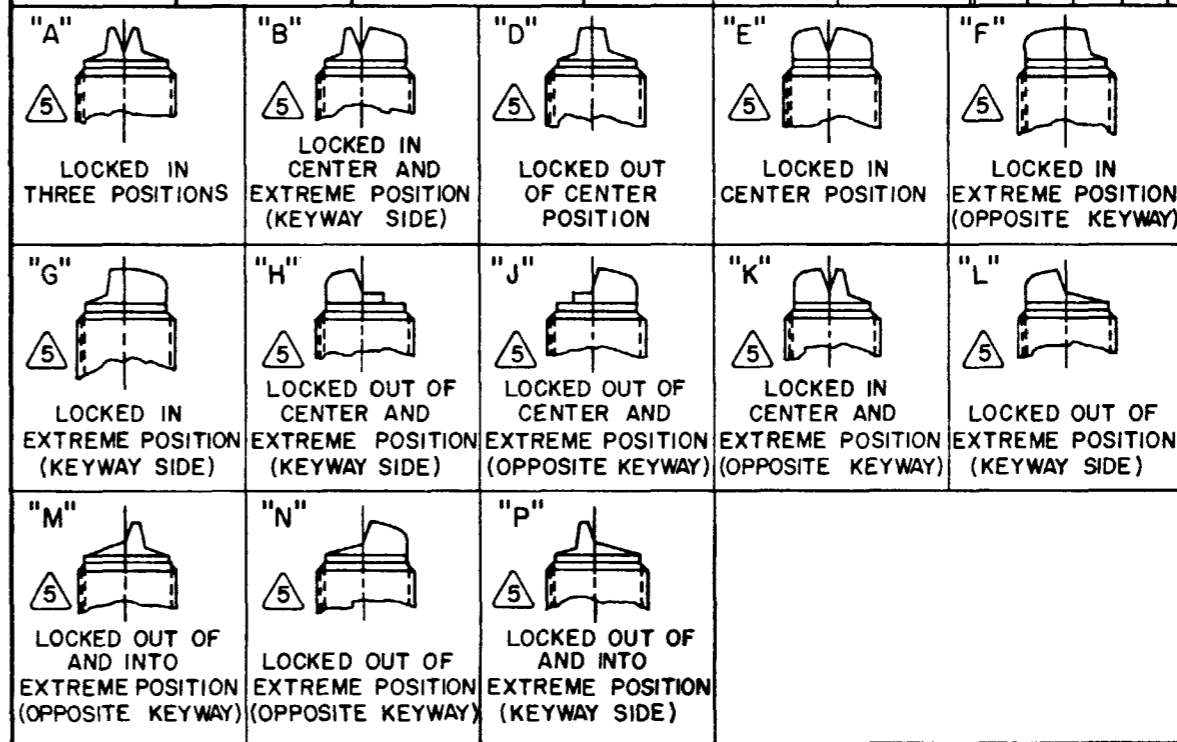
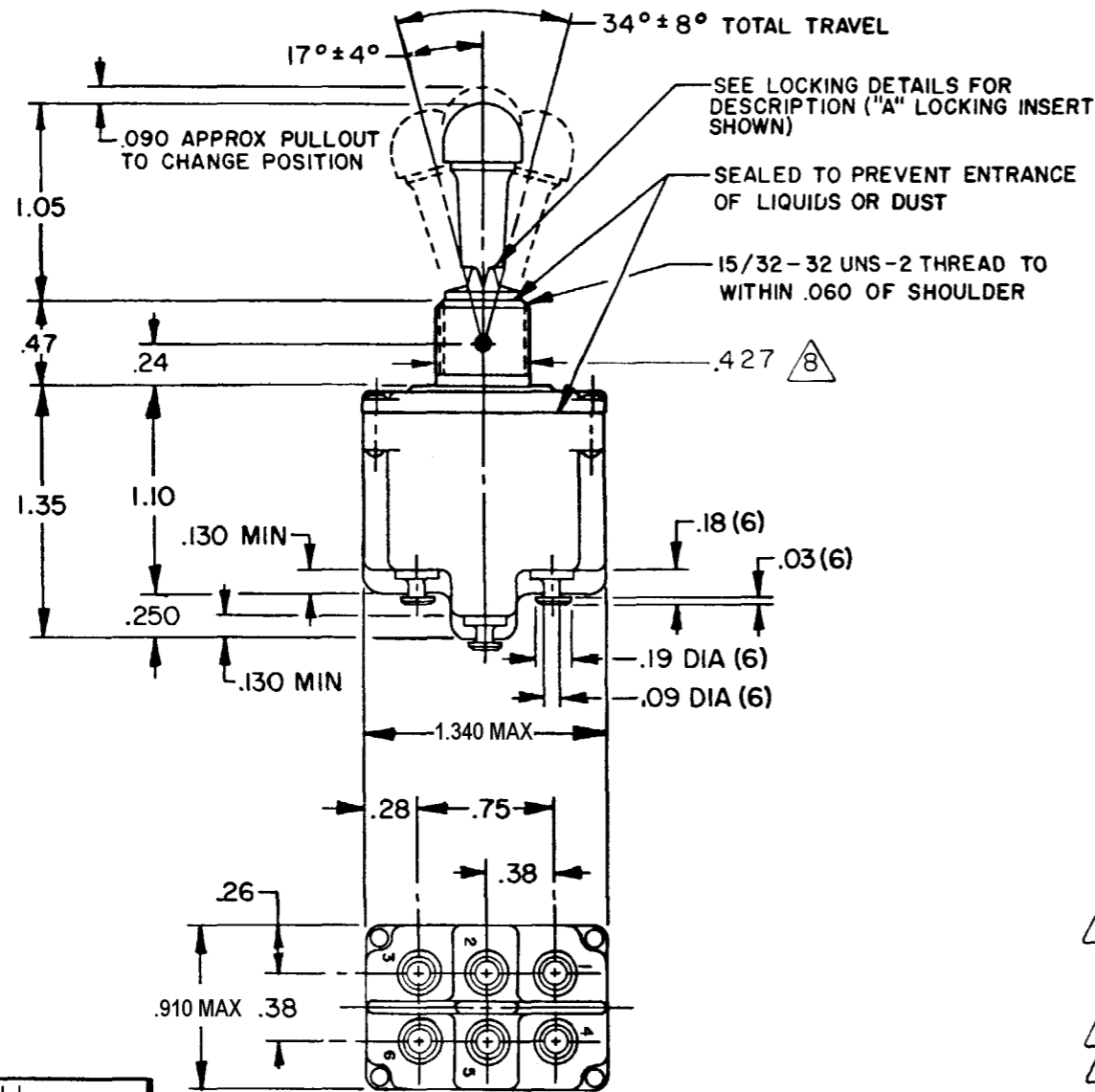
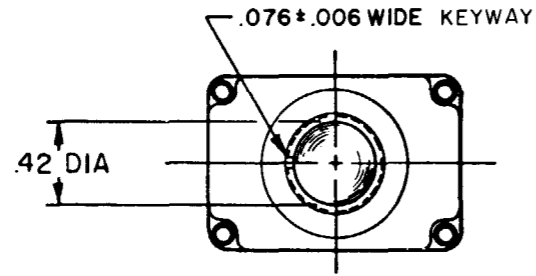
AVAILABLE LOCKING COMBINATIONS FOR CONFIGURATION SEE LETTERED DETAILS

CIRCUIT MADE WITH TOGGLE LEVER IN
 KEYWAY SIDE (1-2, 4-5) CENTER (1-2, 4-5) OPPOSITE KEYWAY (2-3, 5-6)

MILITARY RATING (AMPS)
 RESISTIVE LOAD DC VOLTS AC VOLTS LAMP LOAD INDUCTIVE LOAD
 28 125 250 125 250 28 VDC 125 VAC 28 VDC 125 VAC

THIS DRAWING COVERS A PROPRIETARY ITEM AND IS THE PROPERTY OF MICRO SWITCH, A DIVISION OF HONEYWELL. THIS DRAWING IS NOT TO BE COPIED OR USED WITHOUT THE APPROVAL OF MICRO SWITCH.

MS 27738-21	12TL1-1	A,B,D,E,F,G,H,J,K,L,M,N,P	ON	OFF	ON								
MS 27738-22	12TL1-2	D,F,G	OFF	NONE	ON								
MS 27738-23	12TL1-3	D,F,G	ON	NONE	ON	20	.75	.5	15	6	7	4	15 15
MS 27738-24	12TL1-21	E,F,K,M	NONE	OFF	ON	(REFER TO L191 FOR UL RATING)							
MS 27738-33	12TL1-31	E,F,K,M	NONE	ON	ON								
MS 27738-29	12TL1-4	F	MOM OFF	NONE	ON								
MS 27738-31	12TL1-5	E,F,K,L,M,N	MOM ON	OFF	ON								
MS 27738-30	12TL1-6	F	MOM ON	NONE	OFF								
MS 27738-27	12TL1-7	E,L,N	MOM ON	OFF	MOM ON	18	.75	.5	11	6	5	2	10 .8
MS 27738-26	12TL1-8	F	MOM ON	NONE	ON								
MS 27738-32	12TL1-51	E	NONE	ON	MOM ON	(REFER TO L192 FOR UL RATING)							
MS 27738-28	12TL1-61	E	MOM ON	OFF	NONE								



- NOTES**
- SWITCHES ARE CAPABLE OF WITHSTANDING A TEMPERATURE OF 160°F CONTINUOUSLY AT FULL RATED LOAD
 - CIRCUIT DESIGNATION, MICRO SWITCH CATALOG LISTING, DATE CODE, UL RATING AND MS NUMBER IDENTIFIED ON SIDE OF SWITCH
 - FURNISHED UNASSEMBLED
 - FOR TERMINAL COVER SEE MICRO SWITCH CATALOG LISTING 5PA8
 - KEYWAY SHOWN ON LEFT SIDE
 - SUFFIX LETTER MUST BE ADDED FOR DESIRED TYPE OF TOGGLE LOCKING. SEE CHART FOR AVAILABLE LOCKING COMBINATIONS
 - APPLIES ONLY TO "ON" AND "MOMENTARY ON" POSITIONS FROM BOTTOM OF KEYWAY TO MAJOR DIA OF 15/32 THREAD
 -

CATALOG LISTING
12TL1 SERIES CHART 2
 PAGE 1 OF 1

ISSUE
M
 15

REVISIONS

A	CO	38392	T M M	28 MAR 78
B	CO	49070	G P T	16 MAY 81
C	CO	49791	W J M	16 JUL 81
D	CO	50496	J A P	16 NOV 81
E	CO	56074	G J W	19 NOV 84
F	CO	92297	J A K	16 FEB 98
G	CO	94428	C S I	28 NOV 99
H	RS	0003086		05 FEB 04

REPLACES
 05 FEB 04
 CHECK MDM
 05 FEB 04
 CHECK MDM
 1 APR 78
 CHECK DFK
 21 APR 78
 CHECK C E B
 28 MAR 78
 CHECK C E B

SCALE FULL
 DO NOT SCALE PRINT
 UNLESS OTHERWISE NOTED
 DIMENSIONS ARE IN INCHES
TOLERANCES ARE:
 ONE PLACE (.01) ±.030
 TWO PLACE (.00) ±.015
 THREE PLACE (.000) ±.005
 ANGLES
 WEIGHT .17 LBS MAX

15A-125, 250 OR 277 VAC 1/2HP-125VAC; 1HP-250, 277 VAC 5A-125VAC "L" CODE L191	10A-125, 250, 277 VAC 1/4HP-125VAC; 1/2HP-250, 277 VAC 3A-125VAC "L" CODE 192
--	---

FORMTEK