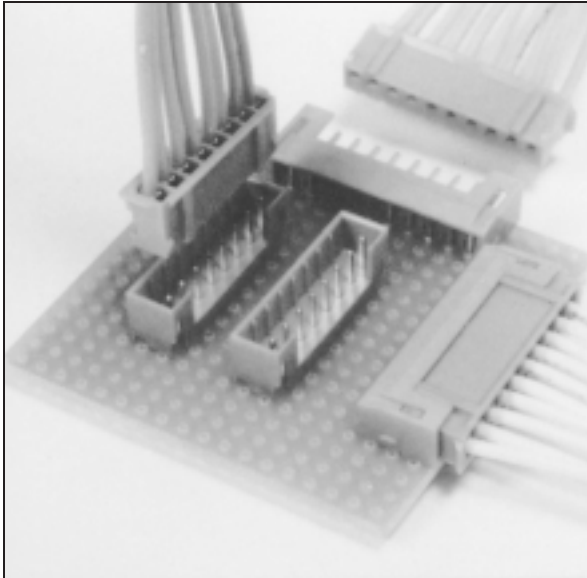


# IL-S SERIES CONNECTORS

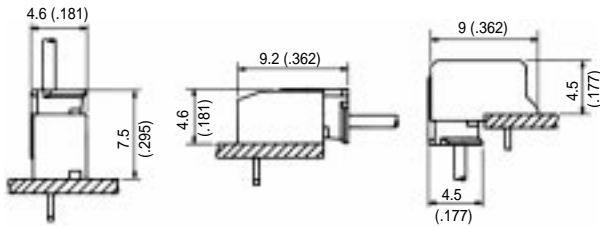
## 2.0mm (.079") Contact Spacing, PCB-to-Cable (Crimp Type) Connector



### FEATURES

- Box type pin header prevents mismatching
- Highly reliable socket contacts
- Both semi-automatic crimp termination machine and hand crimping tool are available
- Design prevents flux wicking
- Pin headers are available in straight, right angle and bottom through hole types

Connector Profile (Ref.)



IL-S Series connectors are low profile connectors with 2.0mm (.079") contact spacing for PCB-to-Cable applications.

High reliable crimp termination socket contacts permit fast and simple semi-automatic termination, resulting in labor and cost savings.

IL-S Series connectors are ideal for use in VTR, television, audio and other consumer electronic products. Additional applications include OA equipment, computers, measuring equipment, telecommunications, and vending machines.

### GENERAL SPECIFICATIONS

Number of Contacts	2 to 15 (Bottom type – 2 to 12)
Contact Spacing	2.0mm (.079"), single row
Current Rating	3 Amps
Operating Voltage	300 VAC, 400 VDC
Dielectric Withstanding Voltage	1,000 VAC r.m.s. (one minute)
Insulation Resistance	100 megohms min.
Contact Resistance	20 milliohms max.
Applicable Wire	#24 to #28 AWG, stranded
Applicable PCB Thickness	1.2 to 1.6mm (.047" to .063")
Operating Temperature	-40°C to +85°C

### MATERIALS AND FINISHES

Description	Materials/Finishes
Insulator	6-6 Nylon (UL94V-0, Light Brown)
Pin Contact	Brass/Tin plating over Nickel
Socket Contact	Phosphor Bronze/Tin Plated

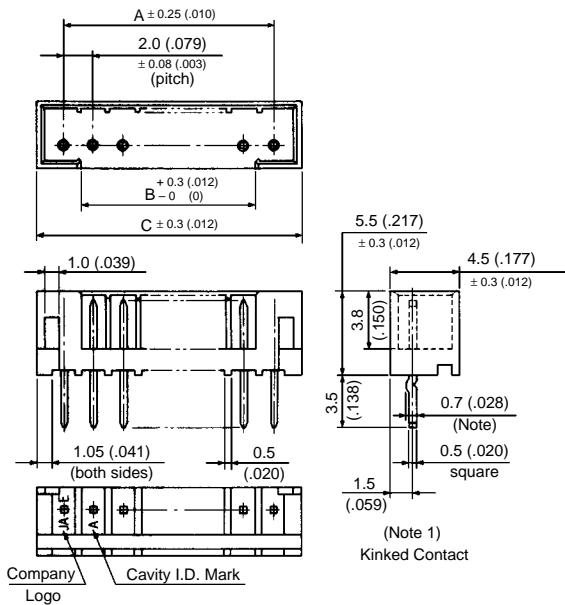
Dimensions and specifications subject to change without notice.



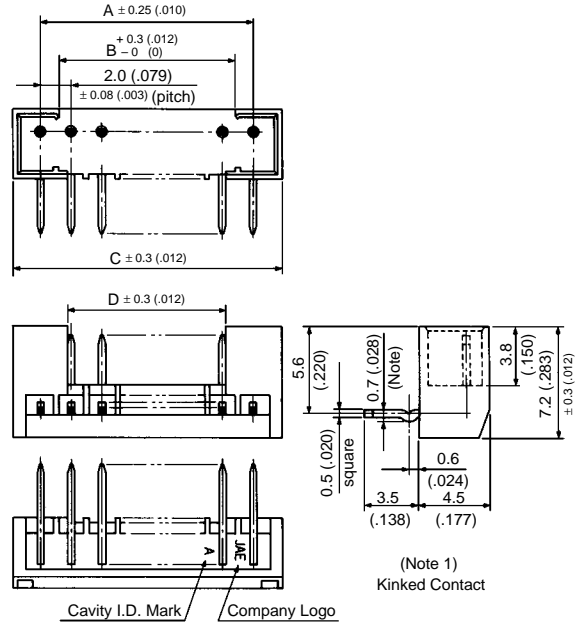
# IL-S SERIES CONNECTORS

## 2.0mm (.079") Contact Spacing, PCB-to-Cable (Crimp Type) Connector

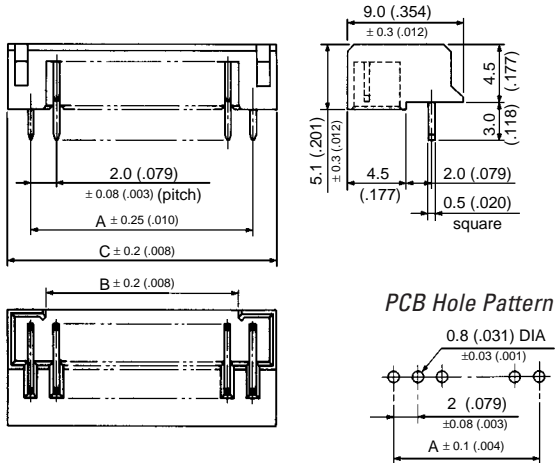
### STRAIGHT PIN HEADER: IL-S-\*P-S2T2-EF



### ANGLE PIN HEADER: IL-S-\*P-S2L2-EF

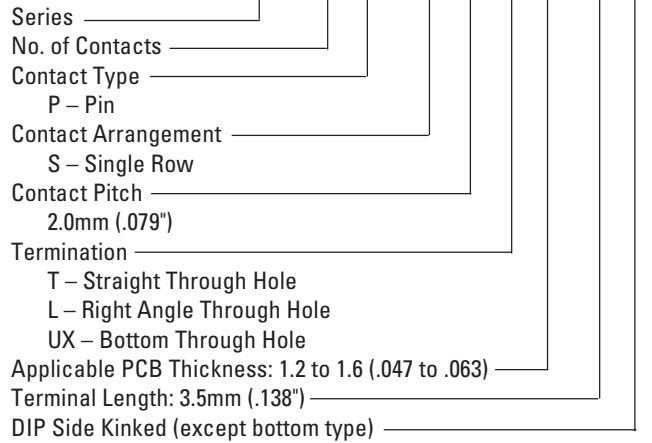


### BOTTOM PIN HEADER: IL-S-\*P-S2UX2-E



### ORDERING INFORMATION

**IL-S - 5 P - S 2 T 2 - E F**



No. of Contacts	Part Number			A	B	C	D $\pm 0.3$ ( $\pm .012$ )
	Straight Pin Header	Angle Pin Header	Bottom Pin Header				
2	IL-S- 2P-S2T2-EF	IL-S- 2P-S2L2-EF	IL-S- 2P-S2UX2-E	2 ( .079)	0.8 ( .031)	5.6 ( .220)	0.5 ( .012)
3	IL-S- 3P-S2T2-EF	IL-S- 3P-S2L2-EF	IL-S- 3P-S2UX2-E	4 ( .157)	1.6 ( .063)	7.6 ( .230)	0.5 ( .012)
4	IL-S- 4P-S2T2-EF	IL-S- 4P-S2L2-EF	IL-S- 4P-S2UX2-E	6 ( .236)	3.6 ( .142)	9.6 ( .378)	2.5 ( .098)
5	IL-S- 5P-S2T2-EF	IL-S- 5P-S2L2-EF	IL-S- 5P-S2UX2-E	8 ( .315)	5.6 ( .220)	11.6 ( .457)	4.5 ( .177)
6	IL-S- 6P-S2T2-EF	IL-S- 6P-S2L2-EF	IL-S- 6P-S2UX2-E	10 ( .394)	7.6 ( .299)	13.6 ( .535)	6.5 ( .256)
7	IL-S- 7P-S2T2-EF	IL-S- 7P-S2L2-EF	IL-S- 7P-S2UX2-E	12 ( .472)	9.6 ( .378)	15.6 ( .614)	8.5 ( .335)
8	IL-S- 8P-S2T2-EF	IL-S- 8P-S2L2-EF	IL-S- 8P-S2UX2-E	14 ( .551)	11.6 ( .457)	17.6 ( .693)	10.5 ( .413)
9	IL-S- 9P-S2T2-EF	IL-S- 9P-S2L2-EF	IL-S- 9P-S2UX2-E	16 ( .630)	13.6 ( .535)	19.6 ( .772)	12.5 ( .492)
10	IL-S-10P-S2T2-EF	IL-S-10P-S2L2-EF	IL-S-10P-S2UX2-E	18 ( .709)	15.6 ( .614)	21.6 ( .850)	14.5 ( .571)
11	IL-S-11P-S2T2-EF	IL-S-11P-S2L2-EF	IL-S-11P-S2UX2-E	20 ( .787)	17.6 ( .693)	23.6 ( .929)	16.5 ( .650)
12	IL-S-12P-S2T2-EF	IL-S-12P-S2L2-EF	IL-S-12P-S2UX2-E	22 ( .866)	19.6 ( .772)	25.6 (1.008)	18.5 ( .728)
13	IL-S-13P-S2T2-EF	IL-S-13P-S2L2-EF	—	24 ( .945)	21.6 ( .850)	27.6 (1.087)	20.5 ( .807)
14	IL-S-14P-S2T2-EF	IL-S-14P-S2L2-EF	—	26 (1.024)	23.6 ( .929)	29.6 (1.165)	22.5 ( .886)
15	IL-S-15P-S2T2-EF	IL-S-15P-S2L2-EF	—	28 (1.102)	25.6 (1.008)	31.6 (1.244)	24.5 ( .965)

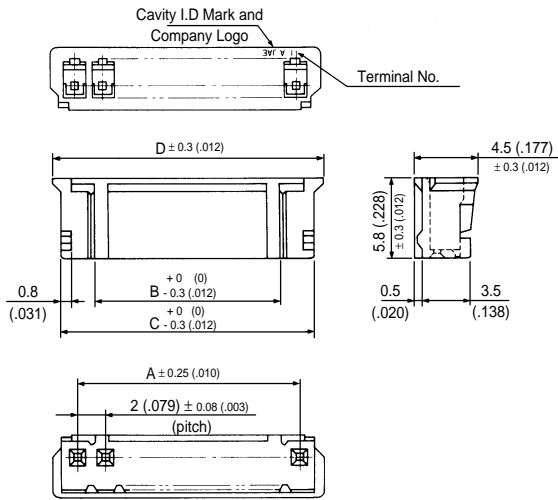
Note 1: Insulator colors – Red, Black, Green, White are available other than standard Light Brown. Please consult JAE for details.

Dimensions in mm (inches).

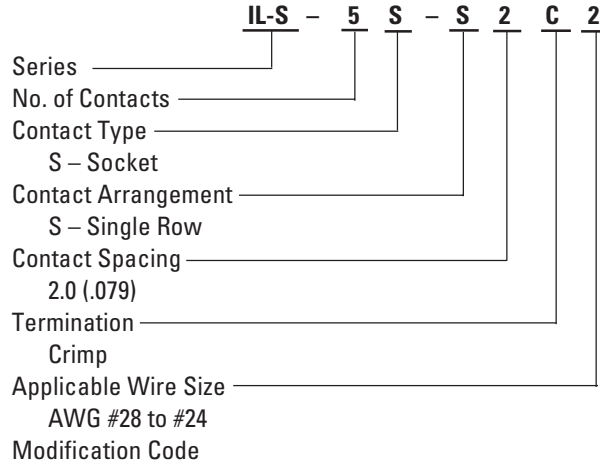
# IL-S SERIES CONNECTORS

## 2.0mm (.079") Contact Spacing, PCB-to-Cable (Crimp Type) Connector

### SOCKET HOUSING: IL-S-\*S-S2C2-S



### ORDERING INFORMATION

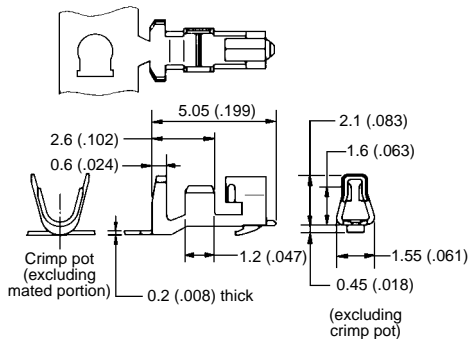


No. of Contacts	Part Number	A $\pm 0.25$ ( $\pm .010$ )	B $0$ ( $0$ ) $-0.3$ ( $-.012$ )	C $0$ ( $0$ ) $-0.3$ ( $-.012$ )	D $\pm 0.3$ ( $\pm .012$ )
2	IL-S- 2S-S2C2	2 ( .079)	0.7 ( .028)	4.5 ( .177)	5.6 ( .220)
3	IL-S- 3S-S2C2	4 ( .157)	1.5 ( .059)	6.5 ( .256)	7.6 ( .230)
4	IL-S- 4S-S2C2	6 ( .236)	3.5 ( .138)	8.5 ( .335)	9.6 ( .378)
5	IL-S- 5S-S2C2	8 ( .315)	5.5 ( .217)	10.5 ( .413)	11.6 ( .457)
6	IL-S- 6S-S2C2	10 ( .394)	7.5 ( .295)	12.5 ( .492)	13.6 ( .535)
7	IL-S- 7S-S2C2	12 ( .472)	9.5 ( .374)	14.5 ( .570)	15.6 ( .614)
8	IL-S- 8S-S2C2	14 ( .551)	11.5 ( .453)	16.5 ( .650)	17.6 ( .693)
9	IL-S- 9S-S2C2	16 ( .630)	13.5 ( .531)	18.5 ( .728)	19.6 ( .772)
10	IL-S- 10S-S2C2	18 ( .709)	15.5 ( .610)	20.5 ( .807)	21.6 ( .850)
11	IL-S- 11S-S2C2	20 ( .787)	17.5 ( .689)	22.5 ( .886)	23.6 ( .929)
12	IL-S- 12S-S2C2	22 ( .866)	19.5 ( .768)	24.5 ( .965)	25.6 ( 1.008)
13	IL-S- 13S-S2C2	24 ( .945)	21.5 ( .846)	26.5 ( 1.043)	27.6 ( 1.087)
14	IL-S- 14S-S2C2	26 ( 1.024)	23.5 ( .925)	28.5 ( 1.122)	29.6 ( 1.165)
15	IL-S- 15S-S2C2	28 ( 1.102)	25.5 ( 1.004)	30.5 ( 1.201)	31.6 ( 1.244)

### SOCKET CONTACT (CRIMP TYPE)

Part Number: IL-S-C2-10000

10000 contacts/reel



Applicable Wire (Stranded)		Hand Crimping Tool
AWG No.	Wire Insulation Outer Dia.	
#28 to #26	$\phi 1.0$ to $\phi 1.3$ mm (.039 to .051")	CT150-2-ILS CT150-4-ILS
#26 to #24	$\phi 1.2$ to $\phi 1.6$ mm (.047 to .063")	
#28 to #26	$\phi 0.7$ to $\phi 1.0$ mm (.028 to .039")	CT150-2-ILSmk2
#26 to #24	$\phi 0.9$ to $\phi 1.2$ mm (.035 to .047")	

Semi-Automatic Crimping Machine: CT350-2-ILS

Contact Extraction Tool: ET-ILS-NO3

Dimensions in mm (inches).

