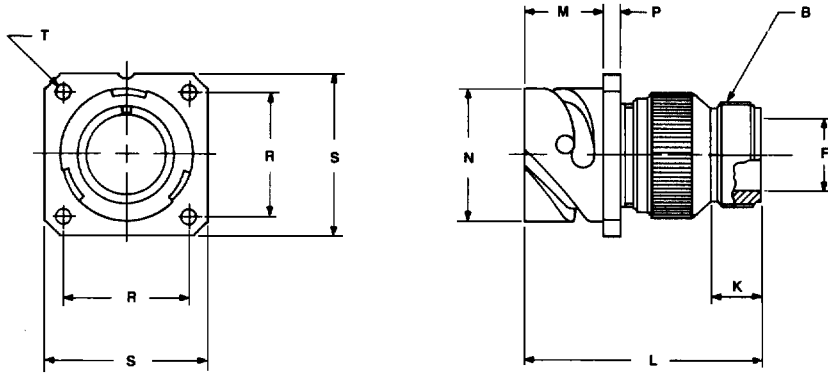


GTOOA

wall mount receptacle for front panel mounting

- Four through mounting holes
- Includes backshell for accessory attachment
- Without grommet and cable clamp
- Non-environment proof



Inches

Shell Size	B Thread Class 2A	F Min.	K Min.	L Max.	M $+0.016$ -0.000	N $+0.000$ -0.006	P ± 0.008	R ± 0.004	S ± 0.012	T $+0.004$ -0.000
10SL	.6250-24UNEF	.409	.374	1.969	.559	.717	.110	.717	1.000	.126
14S	.7500-20UNEF	.520	.374	1.969	.559	.969	.126	.906	1.181	.126
16S	.8750-20UNEF	.638	.374	1.969	.559	1.079	.126	.969	1.280	.126
16	.8750-20UNEF	.638	.374	2.362	.748	1.079	.126	.969	1.280	.126
18	1.0000-20UNEF	.756	.374	2.362	.748	1.213	.157	1.063	1.378	.126
20	1.1875-18UNEF	.867	.374	2.362	.748	1.346	.157	1.157	1.496	.126
22	1.1875-18UNEF	.965	.374	2.362	.748	1.472	.157	1.252	1.614	.126
24	1.4375-18UNEF	1.094	.374	2.560	.811	1.610	.157	1.374	1.752	.146
28	1.4375-18UNEF	1.228	.374	2.560	.811	1.839	.157	1.563	2.000	.146
32	1.7500-18UNS	1.488	.433	2.560	.874	2.102	.157	1.752	2.244	.169
36	2.0000-18UNS	1.780	.465	3.150	.874	2.346	.157	1.937	2.500	.169
40	2.2500-16UN	2.016	.465	3.150	.874	2.579	.157	2.185	2.752	.169

Millimeters

Shell Size	F Min.	K Min.	L Max.	M $+0.4$ -0.0	N $+0.0$ -0.15	P ± 0.2	R ± 0.1	S ± 0.3	T $+0.1$ -0.0
10SL	10.4	9.5	50	14.2	18.2	2.8	18.2	25.4	3.2
14S	13.2	9.5	50	14.2	24.6	3.2	23.0	30.0	3.2
16S	16.2	9.5	50	14.2	27.4	3.2	24.6	32.5	3.2
16	16.2	9.5	60	19.0	27.4	3.2	24.6	32.5	3.2
18	19.2	9.5	60	19.0	30.8	4.0	27.0	35.0	3.2
20	22.0	9.5	60	19.0	34.2	4.0	29.4	38.0	3.2
22	24.5	9.5	60	19.0	37.4	4.0	31.8	41.0	3.2
24	27.8	9.5	65	20.6	40.9	4.0	34.9	44.5	3.7
28	31.2	9.5	65	20.6	46.7	4.0	39.7	50.8	3.7
32	37.8	11.0	65	22.2	53.4	4.0	44.5	57.0	4.3
36	45.2	11.8	80	22.2	59.6	4.0	49.2	63.5	4.3
40	51.2	11.8	80	22.2	65.5	4.0	55.5	69.9	4.3

All dimensions for reference only.

GT00AF/00F

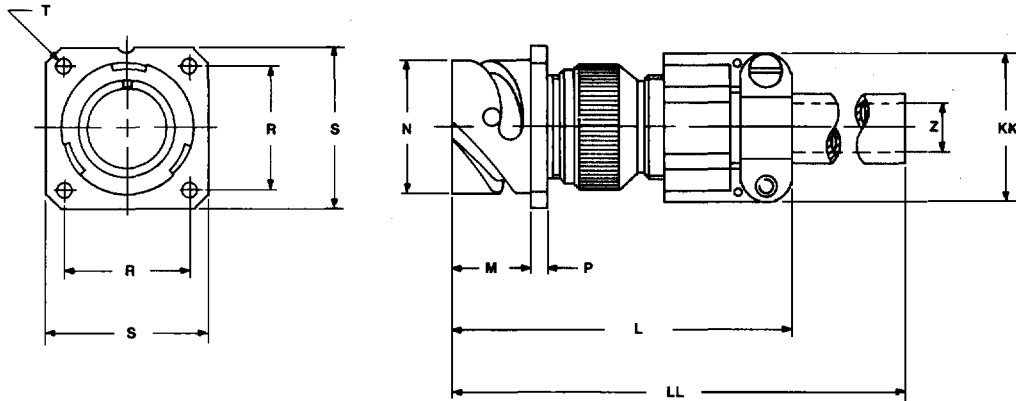
wall mount receptacle for front panel mounting

GT00AF

- Without grommet
- Cable clamp included
- Non-environment proof
- Four through mounting holes

GT00F

- With wire sealing grommet and cable clamp
- For use with individual wires
- Environment proof
- Four through mounting holes



Inches

Shell Size	L Max.	M +.016 -.000	N +.000 -.006	P ±.008	R ±.004	S ±.012	T +.004 -.000	Z Max.	KK Max.	LL Max.
10SL	2.362	.559	.717	.110	.717	1.000	.126	.220	.894	4.720
14S	2.440	.559	.969	.126	.906	1.181	.126	.312	1.083	4.720
16S	2.756	.559	1.079	.126	.969	1.280	.126	.437	1.181	4.720
16	2.756	.748	1.079	.126	.969	1.280	.126	.437	1.181	4.921
18	3.031	.748	1.213	.157	1.063	1.378	.126	.562	1.300	4.921
20	3.031	.748	1.346	.157	1.157	1.496	.126	.625	1.476	4.921
22	3.031	.748	1.472	.157	1.252	1.614	.126	.625	1.476	4.921
24	3.346	.811	1.610	.157	1.374	1.752	.146	.750	1.705	4.921
28	3.346	.811	1.839	.157	1.563	2.000	.146	.750	1.705	4.921
32	3.346	.874	2.102	.157	1.752	2.244	.169	.937	2.035	4.921
36	4.133	.874	2.346	.157	1.937	2.500	.169	1.250	2.283	5.315
40	5.118	.874	2.579	.157	2.185	2.752	.169	1.375	2.579	5.709

Millimeters

Shell Size	L Max.	M +0.4 -0.0	N +0.00 -0.15	P ±0.2	R ±0.1	S ±0.3	T +0.1 -0.0	Z Max.	KK Max.	LL Max.
10SL	60	14.2	18.2	2.8	18.2	25.4	3.2	5.58	22.7	120
14S	62	14.2	24.6	3.2	23.0	30.0	3.2	7.92	27.5	120
16S	70	14.2	27.4	3.2	24.6	32.5	3.2	11.09	30.0	120
16	70	19.0	27.4	3.2	24.6	32.5	3.2	11.09	30.0	125
18	77	19.0	30.8	4.0	27.0	35.0	3.2	14.27	33.0	125
20	77	19.0	34.2	4.0	29.4	38.0	3.2	15.87	37.5	125
22	77	19.0	37.4	4.0	31.8	41.0	3.2	15.87	37.5	125
24	85	20.6	40.9	4.0	34.9	44.5	3.7	19.05	43.3	125
28	85	20.6	46.7	4.0	39.7	50.8	3.7	19.05	43.3	125
32	85	22.2	53.4	4.0	44.5	57.0	4.3	23.79	51.7	125
36	105	22.2	59.6	4.0	49.2	63.5	4.3	31.75	58.0	135
40	130	22.2	65.5	4.0	55.5	69.9	4.3	34.92	65.5	145

All dimensions for reference only.

GT00CF/00CFZ

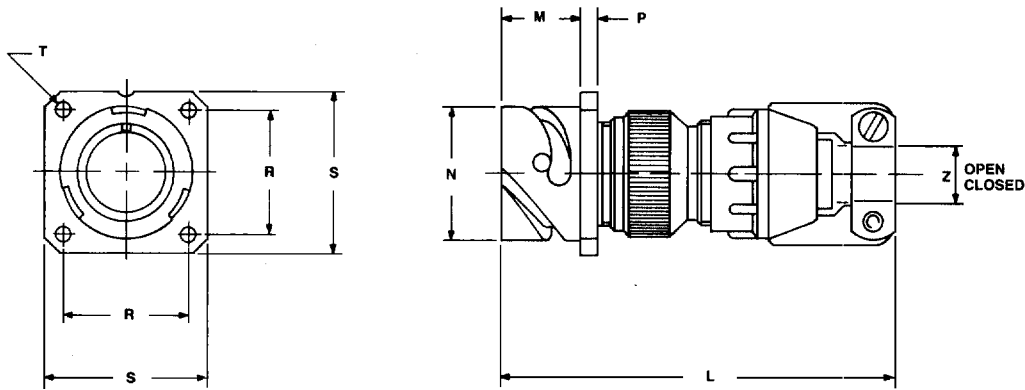
wall mount receptacle for front panel mounting

GT00CF

- Without individual wire sealing grommet
- Environment proof
- Four through mounting holes
- Includes clamp to grip and seal jacketed cable

GT00CFZ

- Same as GT00CF except: Individual wire sealing grommet included for added moisture protection
- Environment proof
- Four through mounting holes
- Includes clamp to grip and seal jacketed cable



Inches

Shell Size	L Approx.	M +.016 -.000	N +.000 -.006	P ±.008	R ±.004	S ±.012	T +.004 -.000	Z	
								Open	Closed
10SL	2.740	.559	.717	.110	.717	1.000	.126	.312	.094
14S	2.898	.559	.969	.126	.906	1.181	.126	.438	.230
16S	2.898	.559	1.079	.126	.969	1.280	.126	.531	.315
16	3.217	.748	1.079	.126	.969	1.280	.126	.531	.315
18	3.307	.748	1.213	.157	1.063	1.378	.126	.625	.378
20	3.311	.748	1.346	.157	1.157	1.496	.126	.748	.445
22	3.350	.748	1.472	.157	1.252	1.614	.126	.748	.445
24	3.484	.811	1.610	.157	1.374	1.752	.146	.937	.610
28	3.736	.811	1.839	.157	1.563	2.000	.146	.937	.610
32	4.142	.874	2.102	.157	1.752	2.244	.169	1.250	.921
36	4.390	.874	2.346	.157	1.937	2.500	.169	1.378	.921
40	4.988	.874	2.579	.157	2.185	2.752	.169	1.624	1.177

Millimeters

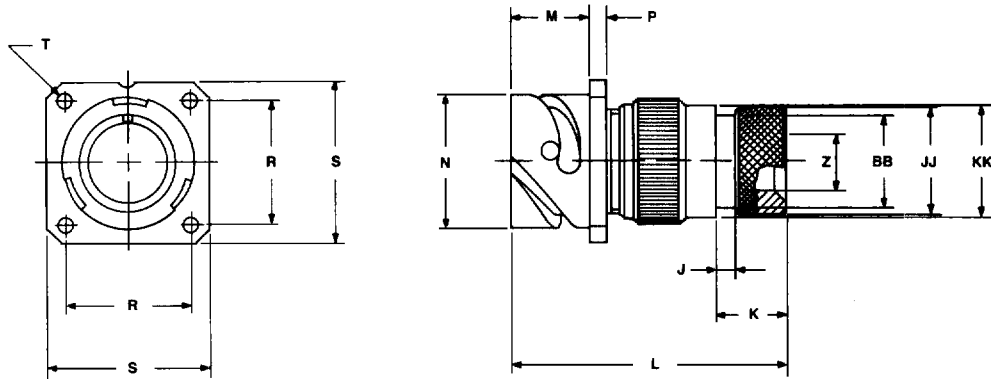
Shell Size	L Approx.	M +0.4 -0.0	N +0.00 -0.15	P ±0.2	R ±0.1	S ±0.3	T +0.1 -0.0	Z	
								Open	Closed
10SL	69.6	14.2	18.2	2.8	18.2	25.4	3.2	7.93	2.38
14S	73.6	14.2	24.6	3.2	23.0	30.0	3.2	11.12	5.84
16S	73.6	14.2	27.4	3.2	24.6	32.5	3.2	13.48	8.00
16	81.7	19.0	27.4	3.2	24.6	32.5	3.2	13.48	8.00
18	84.0	19.0	30.8	4.0	27.0	35.0	3.2	15.87	9.60
20	84.1	19.0	34.2	4.0	29.4	38.0	3.2	19.00	11.30
22	85.1	19.0	37.4	4.0	31.8	41.0	3.2	19.00	11.30
24	88.5	20.6	40.9	4.0	34.9	44.5	3.7	23.80	15.50
28	94.9	20.6	46.7	4.0	39.7	50.8	3.7	23.80	15.50
32	105.9	22.2	53.4	4.0	44.5	57.0	4.3	31.75	23.40
36	111.5	22.2	59.6	4.0	49.2	63.5	4.3	35.00	23.40
40	126.7	22.2	65.5	4.0	55.5	69.9	4.3	41.25	29.90

All dimensions for reference only.

GT00G

wall mount receptacle for front panel mounting

- Four through mounting holes
- Includes backshell with individual wire sealing grommet
- For use with heat-shrink tubing
- Environment proof



Inches

Shell Size	J ±.008	K ±.020	L Max.	M +.016 -.000	N +.000 -.006	P ±.008	R ±.004	S ±.012	T +.004 -.000	Z Min.	BB Max.	JJ ±.008	KK ±.008
10SL	.138	.461	1.969	.559	.717	.110	.717	1.000	.126	.303	.524	.610	.669
14S	.138	.461	1.969	.559	.969	.126	.906	1.181	.126	.417	.669	.752	.969
16S	.138	.461	1.969	.559	1.079	.126	.969	1.280	.126	.531	.862	.941	1.079
16	.138	.453	2.362	.748	1.079	.126	.969	1.280	.126	.531	.862	.941	1.079
18	.138	.453	2.362	.748	1.213	.157	1.063	1.378	.126	.575	.862	.941	1.213
20	.138	.500	2.559	.748	1.346	.157	1.157	1.496	.126	.736	1.031	1.165	1.346
22	.138	.500	2.559	.748	1.472	.157	1.252	1.614	.126	.819	1.031	1.165	1.472
24	.138	.500	2.559	.811	1.610	.157	1.374	1.752	.146	.969	1.358	1.488	1.610
28	.138	.500	2.559	.811	1.839	.157	1.563	2.000	.146	1.062	1.358	1.488	1.839
32	.138	.598	2.756	.874	2.102	.157	1.752	2.244	.169	1.311	1.717	1.882	2.102
36	.138	.598	3.150	.874	2.346	.157	1.937	2.500	.169	1.516	1.717	1.882	2.346
40	.138	.610	3.150	.874	2.579	.157	2.185	2.752	.169	1.898	2.071	2.276	2.579

Millimeters

Shell Size	J ±0.2	K ±0.5	L Max.	M +0.4 -0.0	N +0.00 -0.15	P ±0.2	R ±0.1	S ±0.3	T +0.1 -0.0	Z Min.	B Max.	JJ ±0.2	KK ±0.2
10SL	3.5	11.7	50	14.2	18.2	2.8	18.2	25.4	3.2	7.7	13.3	15.5	17
14S	3.5	11.7	50	14.2	24.6	3.2	23.0	30.0	3.2	10.6	17.0	19.1	20.1
16S	3.5	11.7	50	14.2	27.4	3.2	24.6	32.5	3.2	13.5	21.9	23.9	23.5
16	3.5	11.5	60	19.0	27.4	3.2	24.6	32.5	3.2	13.5	21.9	23.9	23.5
18	3.5	11.5	60	19.0	30.8	4.0	27.0	35.0	3.2	14.6	21.9	23.9	26.5
20	3.5	12.7	65	19.0	34.2	4.0	29.4	38.0	3.2	18.7	26.2	29.6	30.2
22	3.5	12.7	65	19.0	37.4	4.0	31.8	41.0	3.2	20.8	26.2	29.6	33.6
24	3.5	12.7	65	20.6	40.9	4.0	34.9	44.5	3.7	24.6	34.5	37.8	36.1
28	3.5	12.7	65	20.6	46.7	4.0	39.7	50.8	3.7	27.0	34.5	37.8	41.4
32	3.5	15.2	70	22.2	53.4	4.0	44.5	57.0	4.3	33.3	43.6	47.8	48.6
36	3.5	15.2	80	22.2	59.6	4.0	49.2	63.5	4.3	38.5	43.6	47.8	54.8
40	3.5	15.5	80	22.2	65.5	4.0	55.5	69.9	4.3	48.2	52.6	57.8	61.0

All dimensions for reference only.

GT00LCF/00LCFZ

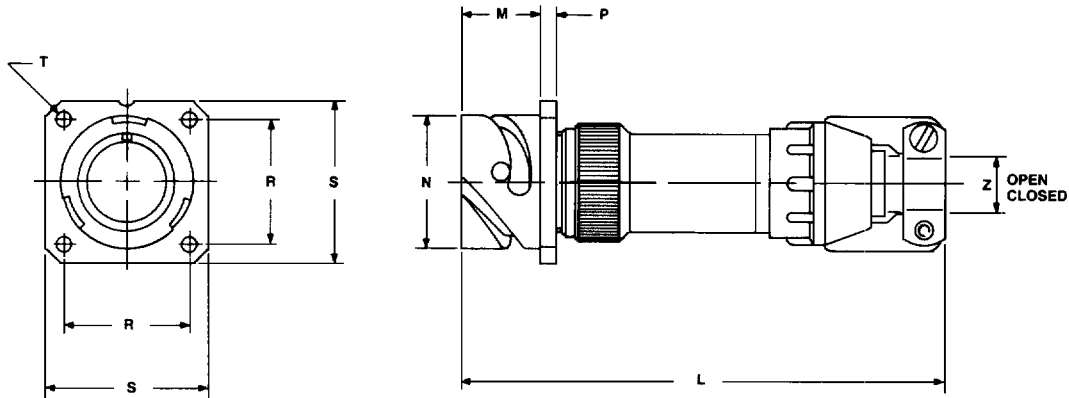
wall mount receptacle for front panel mounting

GT00LCF

- Includes a backshell with extended length to provide more working room for stripped jacketed cable
- Environment proof
- Four through mounting holes
- Includes clamp to grip and seal jacketed cable

GT00LCFZ

- Same as GT00LCF except: Individual wire sealing grommet included for added moisture protection
- Environment proof
- Four through mounting holes
- Includes clamp to grip and seal jacketed cable



Inches

Shell Size	L Approx.	M +.016 -.000	N +.000 -.006	P ±.008	R ±.004	S ±.001	T +.004 -.000	Z	
								Open	Closed
10SL	3.811	.559	.717	.110	.717	1.000	.126	.312	.094
14S	3.843	.559	.969	.126	.906	1.181	.126	.438	.230
16S	3.843	.559	1.079	.126	.969	1.280	.126	.531	.315
16	4.217	.748	1.079	.126	.969	1.280	.126	.531	.315
18	4.409	.748	1.213	.157	1.063	1.378	.126	.625	.378
20	4.409	.748	1.346	.157	1.157	1.496	.126	.748	.445
22	4.413	.748	1.472	.157	1.252	1.614	.126	.748	.445
24	4.535	.811	1.610	.157	1.374	1.752	.146	.937	.610
28	4.744	.811	1.839	.157	1.563	2.000	.146	.937	.610
32	5.079	.874	2.102	.157	1.752	2.244	.169	1.250	.921
36	5.327	.874	2.346	.157	1.937	2.500	.169	1.378	.921
40	5.327	.874	2.579	.157	2.185	2.752	.169	1.624	1.177

Millimeters

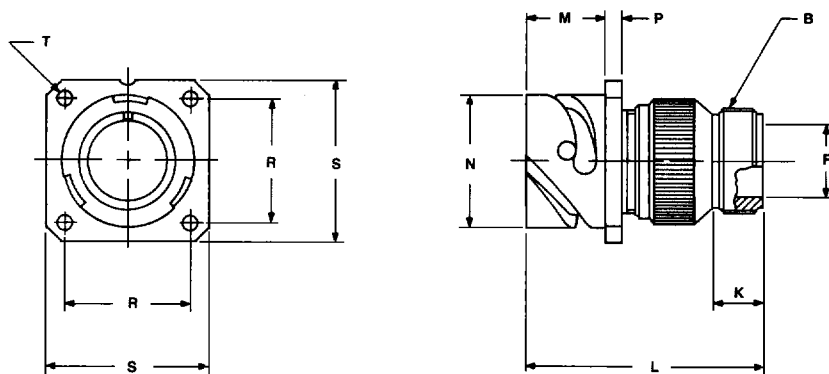
Shell Size	L Approx.	M +0.4 -0.0	N +0.00 -0.15	P ±0.2	R ±0.1	S ±0.3	T +0.1 -0.0	Z	
								Open	Closed
10SL	96.8	14.2	18.2	2.8	18.2	25.4	3.2	7.93	2.38
14S	97.6	14.2	24.6	3.2	23.0	30.0	3.2	11.12	5.84
16S	97.6	14.2	27.4	3.2	24.6	32.5	3.2	13.48	8.0
16	107.1	19.0	27.4	3.2	24.6	32.5	3.2	13.48	8.0
18	112.0	19.0	30.8	4.0	27.0	35.0	3.2	15.87	9.6
20	112.0	19.0	34.2	4.0	29.4	38.0	3.2	19.00	11.3
22	112.1	19.0	37.4	4.0	31.8	41.0	3.2	19.00	11.3
24	115.2	20.6	40.9	4.0	34.9	44.5	3.7	23.80	15.5
28	120.5	20.6	46.7	4.0	39.7	50.8	3.7	23.80	15.5
32	129.0	22.2	53.4	4.0	44.5	57.0	4.3	31.75	23.4
36	135.3	22.2	59.6	4.0	49.2	63.5	4.3	35.00	23.4
40	135.3	22.2	65.5	4.0	55.5	69.9	4.3	41.25	29.9

All dimensions for reference only.

GT00R

wall mount receptacle for front panel mounting

- Four through mounting holes
- With individual wire sealing grommet
- Includes backshell for conduit termination
- Environment proof



Inches

Shell Size	B Thread Class 2A	F Min.	K Min.	L Max.	M +.016 -.000	N +.000 -.006	P ±.008	R ±.004	S ±.012	T +.004 -.000
10SL	.6250-24UNEF	.409	.374	1.969	.559	.717	.110	.717	1.000	.126
14S	.7500-20UNEF	.520	.374	1.969	.559	.969	.126	.906	1.181	.126
16S	.8750-20UNEF	.638	.374	1.969	.559	1.079	.126	.969	1.280	.126
16	.8750-20UNEF	.638	.374	2.362	.748	1.079	.126	.969	1.280	.126
18	1.0000-20UNEF	.756	.374	2.362	.748	1.213	.157	1.063	1.378	.126
20	1.1875-18UNEF	.866	.374	2.362	.748	1.346	.157	1.157	1.496	.126
22	1.1875-18UNEF	.965	.374	2.362	.748	1.472	.157	1.252	1.614	.126
24	1.4375-18UNEF	1.094	.374	2.559	.811	1.610	.157	1.374	1.752	.146
28	1.4375-18UNEF	1.228	.374	2.559	.811	1.839	.157	1.563	2.000	.146
32	1.7500-18UNS	1.488	.433	2.559	.874	2.102	.157	1.752	2.244	.169
36	2.0000-18UNS	1.780	.465	3.150	.874	2.346	.157	1.937	2.500	.169
40	2.2500-16UN	2.016	.465	3.150	.874	2.579	.157	2.185	2.752	.169

Millimeters

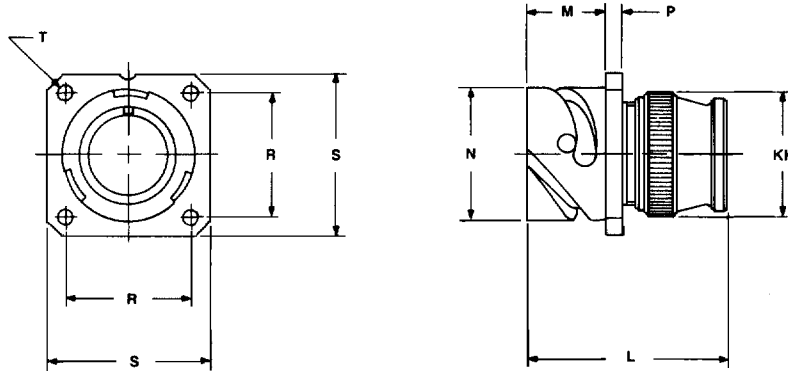
Shell Size	F Min.	K Min.	L Max.	M +0.4 -0.0	N +0.00 -0.15	P ±0.2	R ±0.1	S ±0.3	T +0.1 -0.0
10SL	10.4	9.5	50	14.2	18.2	2.8	18.2	25.4	3.2
14S	13.2	9.5	50	14.2	24.6	3.2	23.0	30.0	3.2
16S	16.2	9.5	50	14.2	27.4	3.2	24.6	32.5	3.2
16	16.2	9.5	60	19.0	27.4	3.2	24.6	32.5	3.2
18	19.2	9.5	60	19.0	30.8	4.0	27.0	35.0	3.2
20	22.0	9.5	60	19.0	34.2	4.0	29.4	38.0	3.2
22	24.5	9.5	60	19.0	37.4	4.0	31.8	41.0	3.2
24	27.8	9.5	65	20.6	40.9	4.0	34.9	44.5	3.7
28	31.2	9.5	65	20.6	46.7	4.0	39.7	50.8	3.7
32	37.8	11.0	65	22.2	53.4	4.0	44.5	57.0	4.3
36	45.2	11.8	80	22.2	59.6	4.0	49.2	63.5	4.3
40	51.2	11.8	80	22.2	65.5	4.0	55.5	69.9	4.3

All dimensions for reference only.

GTOORV

wall mount receptacle for front panel mounting

- Four through mounting holes
- Includes wire sealing grommet
- For use with individual wires
- Environment proof



Inches

Shell Size	L Max.	M +.016 -.000	N +.000 -.006	P ±.008	R ±.004	S ±.012	T +.004 -.000	KK Max.
10SL	1.890	.559	.717	.110	.717	1.000	.126	.787
14S	1.890	.559	.969	.126	.906	1.181	.126	.945
16S	1.890	.559	1.079	.126	.969	1.280	.126	1.024
16	2.205	.748	1.079	.126	.969	1.280	.126	1.024
18	2.244	.748	1.213	.157	1.063	1.378	.126	1.161
20	2.244	.748	1.346	.157	1.157	1.496	.126	1.299
22	2.244	.748	1.472	.157	1.252	1.614	.126	1.417
24	2.244	.811	1.610	.157	1.374	1.752	.146	1.575
28	2.244	.811	1.839	.157	1.563	2.000	.146	1.811
32	2.362	.874	2.102	.157	1.752	2.244	.169	2.028
36	2.362	.874	2.346	.157	1.937	2.500	.169	2.283
40	2.362	.874	2.579	.157	2.185	2.752	.169	2.539

Millimeters

Shell Size	L Max.	M +0.4 -0.0	N +0.00 -0.15	P ±0.2	R ±0.1	S ±0.3	T +0.1 -0.0	KK Max.
10SL	48.0	14.2	18.2	2.8	18.2	25.4	3.2	20.0
14S	48.0	14.2	24.6	3.2	23.0	30.0	3.2	24.0
16S	48.0	14.2	27.4	3.2	24.6	32.5	3.2	26.0
16	56.0	19.0	27.4	3.2	24.6	32.5	3.2	26.0
18	57.0	19.0	30.8	4.0	27.0	35.0	3.2	29.5
20	57.0	19.0	34.2	4.0	29.4	38.0	3.2	33.0
22	57.0	19.0	37.4	4.0	31.8	41.0	3.2	36.0
24	57.0	20.6	40.9	4.0	34.9	44.5	3.7	40.0
28	57.0	20.6	46.7	4.0	39.7	50.8	3.7	46.0
32	60.0	22.2	53.4	4.0	44.5	57.0	4.3	51.5
36	60.0	22.2	59.6	4.0	49.2	63.5	4.3	58.0
40	60.0	22.2	65.5	4.0	55.5	69.9	4.3	64.5

All dimensions for reference only.