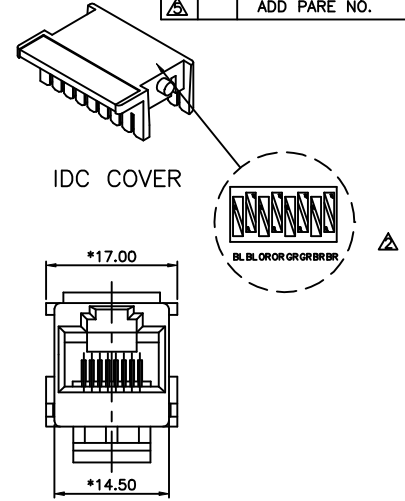
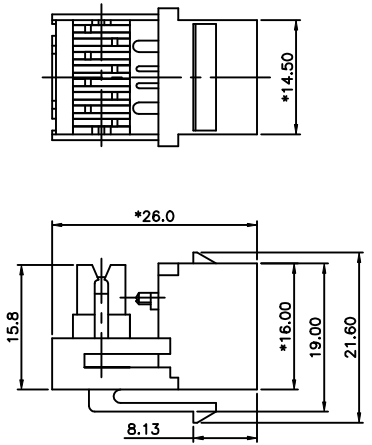
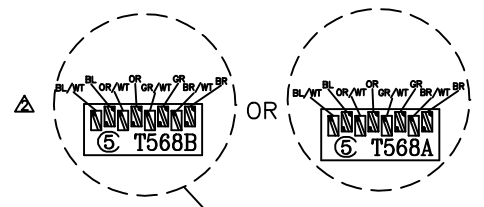
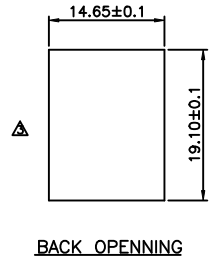
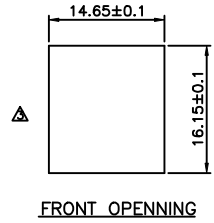


REVISION RECORD				
REV	ECO	DESCRIPTION	DRFT	CHKD
△		MODIFY TITLE	Garvey 2/21/01	
△		MODIFY DRAWING	ZLJ 12/19/02	
△		ADD PARE NO.	CHI 05/17/03	
△		ADD PARE NO.	ZY 02/17/04	
△		ADD PARE NO.	CLB 07/17/04	



**MATERIAL:**

- 1. JACK HOUSING : PC UL94V-0  
CONTACT : PHOSPHOR BRONZE, SELECTIVE GOLD PLATING OVER NICKEL IN CONTACT AREA AND TIN LEAD ON SOLDERING AREA
- 2. CONNECTOR  
IDC HOUSING : PBT UL94V-0  
TERMINALS : PHOSPHOR BRONZE AND TIN PLATED
- 3. PCB MATERIAL : FR\_4, THICKNESS: 1.6mm

Wiring	IDC	T568A Pair/Wire Color	T568B Pair/Wire Color
PIN1		White/Green	White/Orange
PIN2		Green	Orange
PIN3		White/Orange	White/Green
PIN4		Blue	Blue
PIN5		White/Blue	White/Blue
PIN6		Orange	Green
PIN7		White/Brown	White/Brown
PIN8		Brown	Brown

**NOTES:**

**ELECTRICAL:**

- 1. VOLTAGE RATING : 125 VAC RMS.
- 2. CURRENT RATING : 1.5 AMP.
- 3. CONTACT RESISTANCE : 100 MILLIOHMS MAX.
- 4. INSULATION RESISTANCE : 1000 MEGOHMS MIN @ 500 VDC.
- 5. DIELECTRIC STRENGTH : 750 VAC RMS 60Hz, 1MIN.
- 6. CATEGORY 5 CHARACTERISTIC:

FREPUENCE	CROSSTALK,dB	RETURN LOSS,dB	ATTENUATION,dB
1.0 MHZ	65	23	0.1
4.0 MHZ	65	23	0.1
8.0 MHZ	62	23	0.1
10.0 MHZ	60	23	0.1
16.0 MHZ	56	23	0.2
20.0 MHZ	54	23	0.2
25.0 MHZ	52	14	0.2
31.25 MHZ	50	14	0.2
62.5 MHZ	44	14	0.3
100.0 MHZ	40	14	0.4

**ENVIRONMENTAL:**

- 1. STORAGE : -40°C TO +85°C.
  - 2. OPERATION : 0°C TO 70°C.
- CONFORM TO TIA/EIA 568A CATEGORY 5  
MATES WITH MODULAR PLUG CONFORMING TO FCC PART 68, SUBPART F.

- 4. PART NUMBER:1, E6188-X2X02X(black) PART NUMBER:2, E6188-X2XYLX(light white)
- 1- T568A 1-3u" 2-6u"  
2- T568B 3-15u" 4-30u"  
5-50u"  
1- AWG # 22  
2- AWG # 24  
4- AWG # 30

MM (INCH)	DFTO VICKY	DATE 5/30/00
TOLERANCES EXCEPT AS NOTED	CHKD QHZ	DATE2004/7/17
	MFO	DATE
MM	APPL SHY	DATE2004/7/17
.0 ±0.20		
.00 ±0.15		
.000 ±0.075		
ANGLES ±	QT*Y :	
THIRD ANGLE PROJECTION	FINISH :	
	SCALE : 1	

**FULL RISE ELECTRONIC CO., LTD**

TITLE W/O SHIELDED CAT. 5  
KEYSTONE JACK △

DRAWING NO. GE613A04 SIZE A3 REV 5  
/PART NO. SEE NOTE 07/17/04

DO NOT SCALE DRAWING SHEET X OF Y