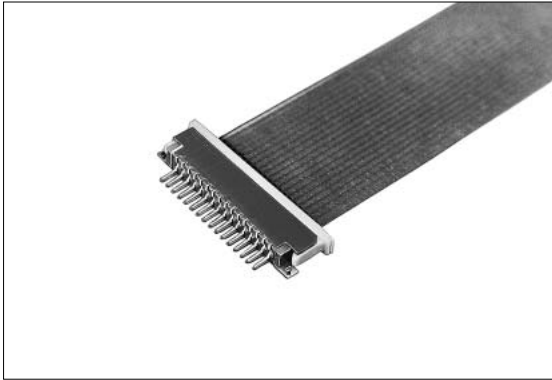


CIC Type (H=2.4mm) 1.0mm Spacing (SMT)



Features

1. FPC connector usable with CIC (Carbon in Circuit) printing.
2. Either upper or lower contact location available.
3. Of the ZIF structure.
4. Supplied in emboss-tape packaging for automatic mounting.
5. A lead-free product.

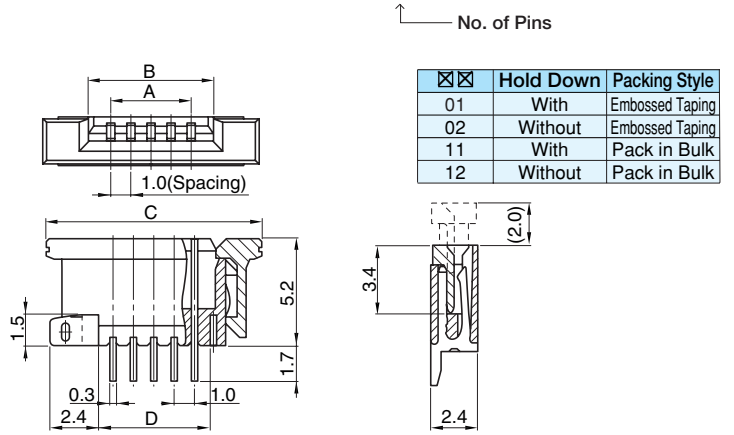
Specifications

1. Rating : 0.5A, 100V AC/DC
2. Contact Resistance : 30mΩ, max.
3. Insulation Resistance : 500MΩ, min. at 500V DC
4. Withstanding Voltage : 500V AC for one minute
5. Operating Temperature Range : -25°C to +70°C

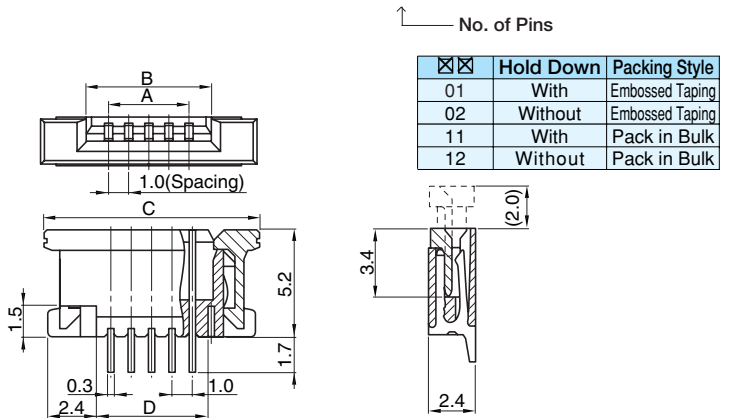
Material and Plating

- Housing : Polyphenylene Sulfide (PPS), Natural Color, 94V-0
- Cover : Polyphenylene Sulfide (PPS), Natural Color, 94V-0
- Contact : Phosphor Bronze, Sn Plating
- Frame : Phosphor Bronze, Sn Plating

● Upper Contact Type CFP24□□-01☒☒F

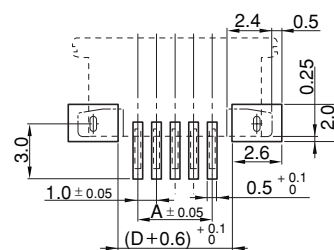


● Lower Contact Type CFP25□□-01☒☒F



□□ No. of Pins	A	B	C	D	□□ No. of Pins	A	B	C	D
04	3.0	5.1	9.7	4.5	16	15.0	17.1	21.7	16.5
05	4.0	6.1	10.7	5.5	17	16.0	18.1	22.7	17.5
06	5.0	7.1	11.7	6.5	18	17.0	19.1	23.7	18.5
07	6.0	8.1	12.7	7.5	19	18.0	20.1	24.7	19.5
08	7.0	9.1	13.7	8.5	20	19.0	21.1	25.7	20.5
09	8.0	10.1	14.7	9.5	21	20.0	22.1	26.7	21.5
10	9.0	11.1	15.7	10.5	22	21.0	23.1	27.7	22.5
11	10.0	12.1	16.7	11.5	24	23.0	25.1	29.7	24.5
12	11.0	13.1	17.7	12.5	26	25.0	27.1	31.7	26.5
13	12.0	14.1	18.7	13.5	28	27.0	29.1	33.7	28.5
14	13.0	15.1	19.7	14.5	29	28.0	30.1	34.7	29.5
15	14.0	16.1	20.7	15.5	30	29.0	31.1	35.7	30.5

■ P.C. Board Dimension



● FPC plating to recommend : Sn plating

■ Applicable FPC Dimension (t=0.3±0.05)

