



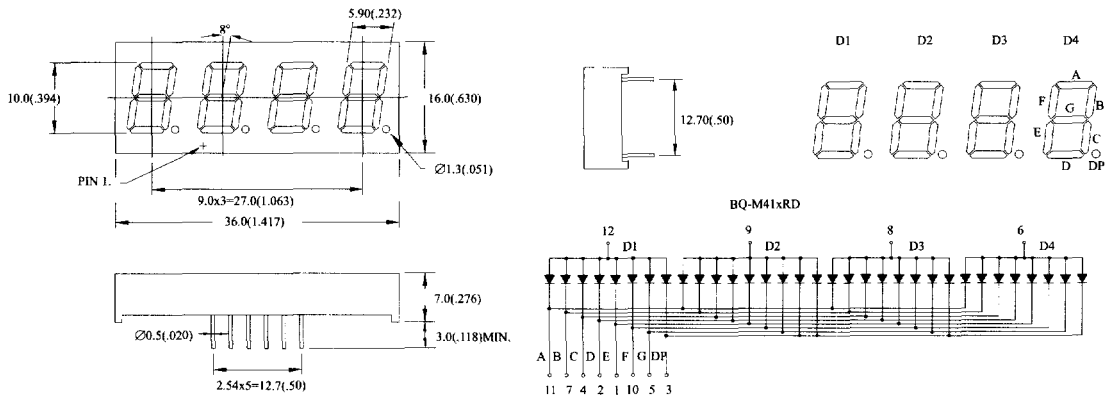
Four Digit LED Displays BQ-M/N Series

7-segment

Digit Size	Part No.		Chip		Absolute Maximum Ratings				Electro-optical Data(At 10mA)		Drawing No.	
	Common Anode	Common Cathode	Material/Emitted Color	Peak Wave Length λ_p (nm)	$\Delta \lambda$ (nm)	Pd (mw)	If (mA)	Ifp (mA)	Vf (v)			Iv. Typ. Per.Seg. (mcd)
									Typ.	Max.		
0.40" Four-Digit	BQ-M411RD	BQ-N411RD	GaAsP/Red	655	40	80	40	200	1.7	2.0	0.6	FD-07
	BQ-M415RD	BQ-N415RD	GaP/ Bright Red	700	90	40	15	50	2.2	2.5	1.2	
	BQ-M415RE	BQ-N415RE										
	BQ-M412RD	BQ-N412RD	GaP/ Green	568	30	80	30	150	2.2	2.5	3.0	
	BQ-M413RD	BQ-N413RD	GaAsP/GaP/ Yellow	585	35	80	30	150	2.1	2.5	2.0	
	BQ-M414RD	BQ-N414RD	GaAsP/GaP/ Hi-Eff.Red	635	45	80	30	150	2.0	2.5	3.0	
			GaAsP/GaP/ Orange									
BQ-M416RD	BQ-N416RD	GaAlAs/ SH Super Red	660	20	80	30	150	1.7	2.5	6.0		
BQ-M41DRD	BQ-N41DRD	GaAlAs/ DH Super Red	660	20	80	30	150	1.7	2.5	7.0		
0.52" Four-Digit	BQ-M531RD	BQ-N531RD	GaAsP/Red	655	40	80	40	200	1.7	2.0	1.0	FD-08
	BQ-M535RD	BQ-N535RD	GaP/ Bright Red	700	90	40	15	50	2.2	2.5	1.5	
	BQ-M535RE	BQ-N535RE										
	BQ-M532RD	BQ-N532RD	GaP/ Green	568	30	80	30	150	2.2	2.5	3.5	
	BQ-M533RD	BQ-N533RD	GaAsP/GaP/ Yellow	585	35	80	30	150	2.1	2.5	2.5	
	BQ-M534RD	BQ-N534RD	GaAsP/GaP/ Hi-Eff.Red	635	45	80	30	150	2.0	2.5	3.5	
			GaAsP/GaP/ Orange									
BQ-M536RD	BQ-N536RD	GaAlAs/ SH Super Red	660	20	80	30	150	1.7	2.5	6.5		
BQ-M53DRD	BQ-N53DRD	GaAlAs/ DH Super Red	660	20	80	30	150	1.7	2.5	7.5		

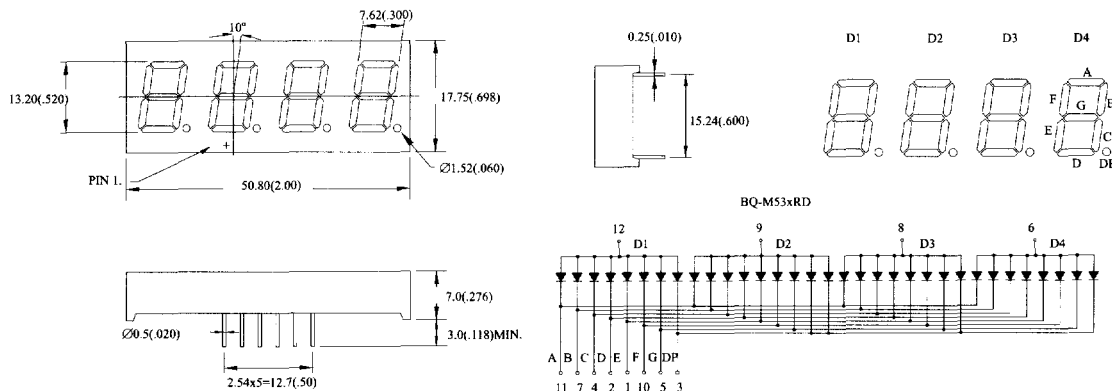
FD-07

BQ-M_N41xRD



FD-08

BQ-M_N53xRD



NOTES: 1.All Dimensions are in millimeters(inches).
3.Specifications are subject to change without notice.

2.Tolerance is ± 0.25 mm(.010").
4.NP:No Pin. 5.NC:No Connect.