

TABLE 1										
DASH NO	CABLES ACCOMMODATED	A DIM	B DIM	C HEX	D FLATS	E DIA	F DIA MAX	CABLE ENTRY DIA	ASSEMBLE PER	
-7	TRC-50-2 TRC-75-2	1.314	.096	.438	.500	.500	.593	.274	TAI-189	
-8	8227 BELDEN	1.648	.130	.625	.688	.750	.775	.345	TAI-103	
-9	TWC-78-2 TWC-124-2	1.314	.096	.438	.500	.500	.593	.285	TAI-102	
-10	RG-22	1.648	.130	.625	.688	.750	.775	.455	TAI-103	
-11	754E W.E.CO.							.347		
-12	16 PEVL W.E.CO. V1-AL GENERAL							.485		TAI-128
-13	TRF-59 TIMES							.362		TAI-129
-13A	8232 BELDEN							.352		TAI-165
-14	8233 BELDEN							.490		TAI-129
-23	250-3884 MICRODOT							.183		TAI-189
-24	202-3934 MICRODOT							.191		TAI-102
-24A	9530A5117 RAYCHEM							.200		TAI-189
-25	T-43M GENERAL							.285		TAI-102
-25A	5021H5331 RAYCHEM	1.314	.096	.438	.500	.500	.593	.191	TAI-189	
-26	7028A5518 RAYCHEM							.145		
-27	T19TPSJ2619EN WOVEN 202-3927 MICRODOT 202-3942 MICRODOT							.191		TAI-102
-29	TWC-78-1/TWC-124-1A							.235		
-30	761A W.E.CO. 8441 BELDEN							.191		
-32	TRC-50-1							.217		
-33	TRC-75-1							.300		TAI-189
-42	21-204 ESSEX 4463 CONSOLIDATED							.200		
-43	250-4044/250-4045 293-3930 MICRODOT							.183		TAI-102
-45	M27500-22TE2T14 1100-66F STANDARD							1.648		.130
-46	9860 BELDEN	1.314	.096	.438	.500	.500	.593	.164	TAI-102	
-47	M17/176-00002	.132								
-49	TWAC-78-1F2	1.648	.130	.625	.688	.750	.775	.323	TAI-103	
-54	89207 BELDEN	.250	TAI-102							
-55	89272 BELDEN	1.314	.096	.438	.500	.500	.593	.191	TAI-189	
-56	GC875GC1, GRUMMAN							.198	TAI-102	
-57	GC875GB1, GRUMMAN							.198	TAI-102	
-58	GC875TM24H, GRUMMAN							.198	TAI-102	
-59	GC875LN1, GRUMMAN							.217	TAI-189	
-60	M17/177 THERMATICS 380-10045 BOEING							.183		
-64	7528A5314, RAYCHEM									

TABLE 3 POLARIZATION CHART			
KEYING LETTER	G DEGREES	H DEGREES	J DEGREES
NONE	120°	120°	120°
T	100°	150°	110°
U	120°	130°	110°
V	115°	130°	115°
W	125°	110°	125°
X	130°	100°	130°
Y	110°	140°	110°
Z	100°	160°	100°
S	135°	135°	90°

DATA CONTAINED IN THIS DOCUMENT IS PROPRIETARY TO TROMPETER ELECTRONICS INC. AND SHALL NOT BE DISCLOSED, COPIED OR USED FOR PROCUREMENT OR MANUFACTURE WITHOUT EXPRESS WRITTEN PERMISSION OF TROMPETER ELECTRONICS INC.

REVISIONS		305-1519	SH 1
REV	DESCRIPTION	DATE	APPROVED
C	REVISED PER ECD #15386	4-01-04	mm

FIG 2 Δ
- 9 SHOWN

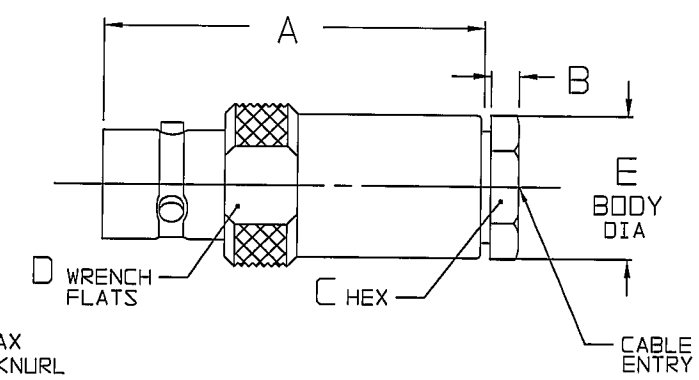
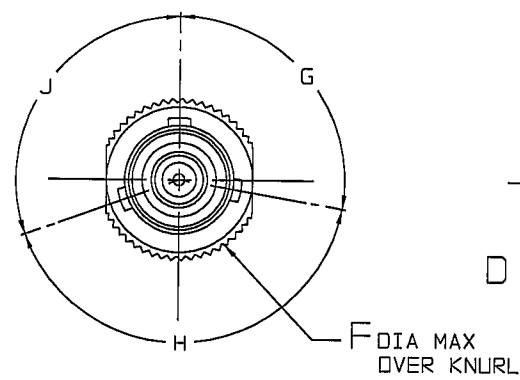
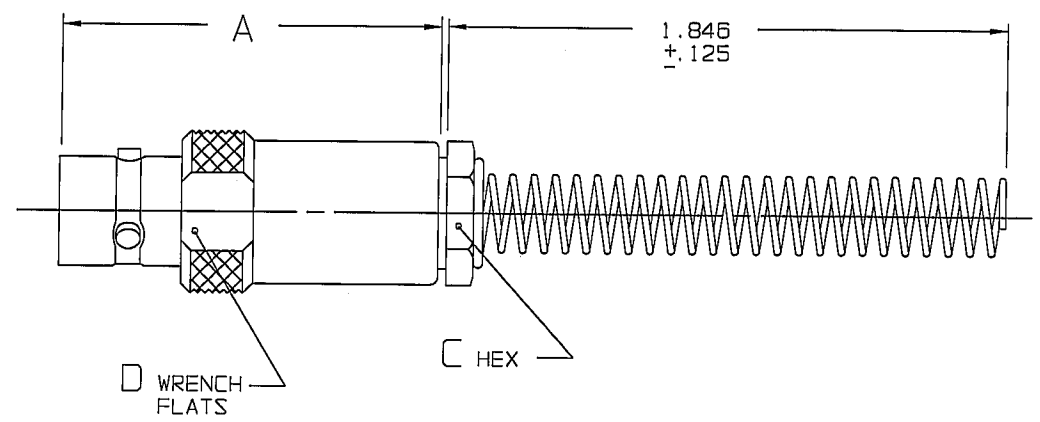


FIG 1 Δ
- 9 SHOWN

RED INDICATES ORIGINAL

5. EXAMPLE OF COMPLETE PART NO:
 305-1519 T-7
 BASIC PART NO — DASH NO
 POLARIZATION LETTER (SEE SHEET 1 TABLE 3)

Δ FOR BEND RELIEF SPRING (FIG 2) ADD SUFFIX "BR" TO MODEL NO (NOT AVAILABLE WITH CABLE GROUPS -8, -10, -11, -12, -13, -14, -46 AND -54)

- 3. CONCENTRIC TWINAX/TRIAX TRB VACUUM READY CABLE RECEPTACLE
- 2. FINISH: TFS-1A (NICKEL)
- 1. ALL DIM ARE IN INCHES

Δ CHECK WITH CABLE MANUFACTURER FOR OUTGASSING PROPERTIES OF THE SELECTED CABLE

6. ALL MATERIALS MEET THE OUTGASSING REQUIREMENTS OF NASA SPECIFICATION SP-R-0022A AND TEI VACUUM READY SPECIFICATION TT-09

INTERPRET DRAWING PER MIL-STD-100 DIMENSIONS ARE IN INCHES AND INCLUDE FINISH THICKNESS UNLESS OTHERWISE SPECIFIED		TOL: UNLESS SPECIFIED .XX .XXX .005 .XXXX		TROMPETER ELECTRONICS, INC.
DRAWN PO	DATE 3-23-04	MATERIAL:	ANGLES	
CHECKED MMash 4/1/04	DATE 4/1/04	FINISH:	TITLE: CJ70/T/U/V/W/ X/Y/Z/S/BR VACUUM READY	
QUALITY MMash 4/1/04	DATE 4/1/04	SCALE NONE	SIZE B 14949	DRAWING NO. 305-1519
MANUFACTURER MMash 4/1/04	DATE 4/1/04	SCALE NONE	DATE 12-17-01	REV. C
APPROVED MMash 4/1/04	DATE 4/1/04	SCALE NONE	DATE 12-17-01	SHEET 1C
NEXT ASSY	305-1519C	DO NOT SCALE DWG		