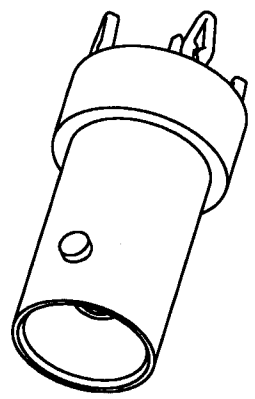


Tous droits strictement reserves. Reproduction ou communication a des tiers interdite sous quelque forme que ce soit sans autorisation écrite au propriétaire. Propriete de c FCI. Droits de reproduction FCI.

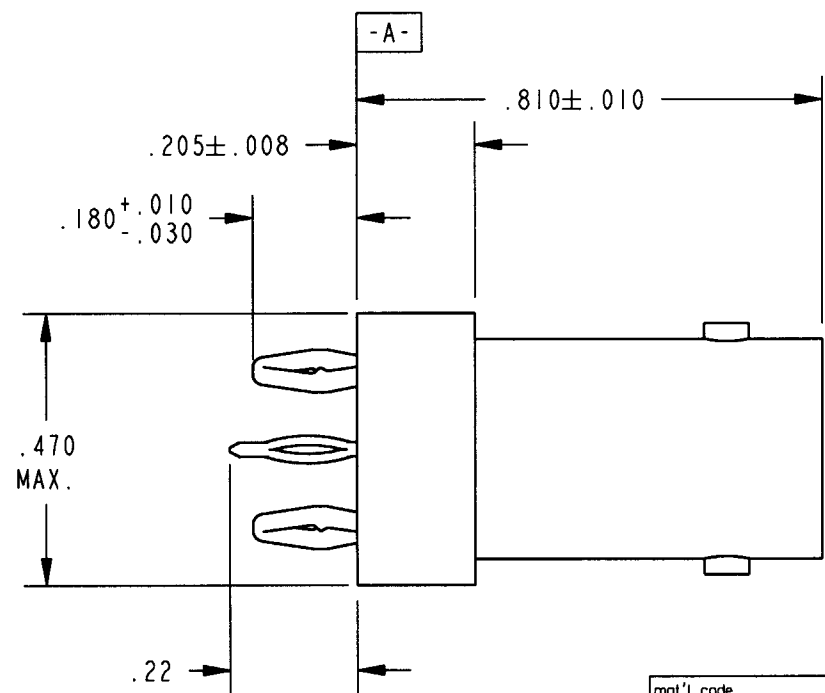
All rights strictly reserved. Reproduction or issue to third parties in any form whatever is not permitted without written authority from the proprietor. Property of FCI. Copyright FCI.



PRODUCT NUMBER
28JR538-1

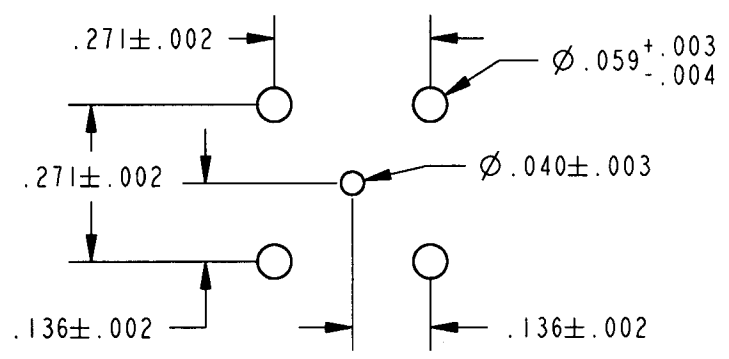


SCALE 2/1



INTERFACE DESIGN IN ACCORDANCE WITH MIL-PRF-39012 AND MIL-STD-348, FIG. #301-2

PARAMETER	PERFORMANCE CHARACTERISTIC
MATERIALS: BODY PARTS CONTACT INSULATOR COMPLIANT PINS	BRASS PER QQ-B-626, 1/2 HD. BERYLLIUM COPPER TFE FLOURCARBON, UL94 V0 PHOSPHOR BRONZE
FINISHES: BODY PARTS CONTACTS	BRIGHT NICKEL 30u" GOLD PER MIL-G-45204
ELECTRICAL: IMPEDANCE FREQUENCY INS. RESISTANCE VOLTAGE RATING DIELECTRIC WITHSTANDING VSWR INSERTION LOSS CONTACT RESISTANCE	75 OHMS NOMINAL TBD 5000 MEGAOHMS MIN. 500 VRMS WORKING VOLTAGE 1500 VRMS AT SEA LEVEL TBD TBD .2 MILLIOHMS MAX.



PCB CONFIGURATION
SCALE 3/1

mat'l code				tolerances unless otherwise specified		CUSTOMER		ELECTRONICS www.fciconnect.com	
lfr	ecr no.	dr	date	linear	.XX ± .02	COPY		 title BNC JACK RECPT, PCB MOUNT, 70 OHM	product family BNC code size dwg no 213 scale 3/1 A 28JR538 sheet 1 of 1
C	V92071	DKE	11/1/99		.XXX ± .005	INCH			
					.XXX ± .0020	3/1			
				angles	0° ± 2°				
		dr	D.EISENTRAUT	11/1/99					
		enrg	R.FISHER	11/1/99					
		chr	R.FISHER	11/1/99					
		appd	R.FISHER	11/1/99					
sheet index	revision sheet	C	I						

Pro/E

cage code 22526

PDM: Rev:A

STATUS: Released

Printed: Oct 22, 2004