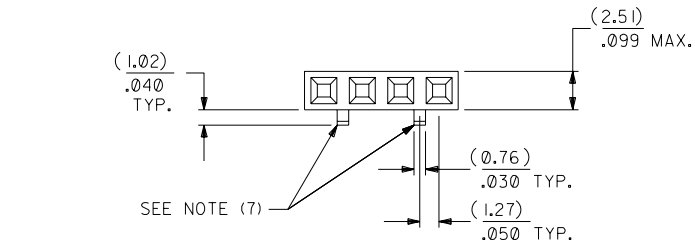


OPTION D

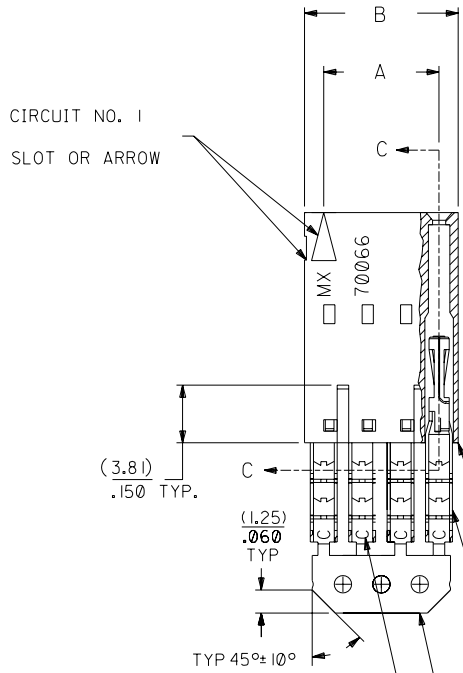
NOTES:

- 1) TO BE USED WITH (28) AWG. STRANDED WIRE WITH (1.35)/.053 DIA. MAX. INSULATION.
- 2) SEE CHART FOR CIRCUIT SIZES.
- 3) STANDARD PACKAGING PER PK-70873-0001. OPTIONAL PACKAGING MAY BE AVAILABLE , REQUEST DWG. PK-70400
- 4) PARTS STACKABLE END TO END ON (2.54)/.100 CENTERS.
- 5) REFER TO PRODUCT SPECIFICATION: PS-70400.
- 6) SEE DWG. SDA-70400-**** (SHT. 5) FOR OPTIONAL HOUSING DETAILS.
- 7) 4 CIRCUIT SHOWN. 3 - 25 CKT'S. HAVE (2) RIBS.
- 8) TO MATE WITH MOLEX PART NO'S.: 70004-****, 70013-****

9) 2 CIRCUIT ASSEMBLIES SUPPLIED AS GROUPED PAIRS.



CIRCUIT NO. 1
SLOT OR ARROW



I.D. SLOT CODE TO WIRE GAUGE CHART	
I.D. SLOT CODE	WIRE GAUGE
C	28 AWG.

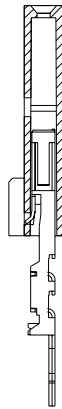
PLATING CODE (STRIPE ON CARRIER STRIP)	
PLATING	COLOR
30 GOLD	RED

30 GOLD - .000030 MIN. GOLD IN SELECT AREA WITH .000075 MIN. TIN IN SELECT AREA OVER .000050 MIN. NICKEL OVER-ALL.

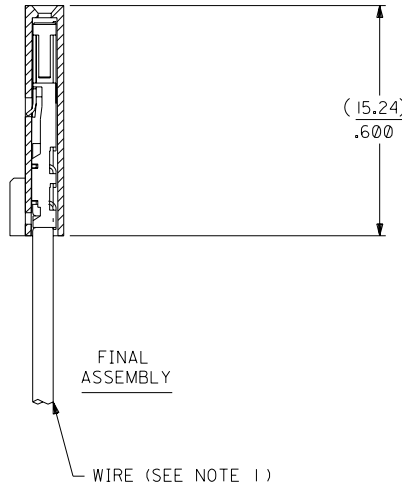
*THE PRIMARY SHIPPING CARTON WILL BE LABELED "COMPLIANT TO ROHS DIRECTIVE 2002/95/EC AND ELV ANNEX II OF DIRECTIVE 2000/53/EC". CARTONS WITHOUT THIS LABEL MAY CONTAIN PRODUCT WITH LEAD.

HOUSING PART NO. 70066-****
MATERIAL: G.F. POLYESTER, 94V-0

TERMINAL PART NO. 70028-****
MATERIAL: PHOSPHOR BRONZE
PLATING PER ES-88-***



PRE-LOADED ASSEMBLY



FINAL ASSEMBLY

WIRE (SEE NOTE 1)



SECTION C-C

CKT. SIZE	DIMENSIONS (INCH)		EDP. NO.	ENG. NO.
	A	B		
2	(2.54) .100	(5.05) .199	14-56-4025	A-70400-1471
3	(5.08) .200	(7.59) .299	14-56-4035	A-70400-1472
4	(7.62) .300	(10.13) .399	14-56-4045	A-70400-1473
5	(10.16) .400	(12.67) .499	14-56-4055	A-70400-1474
6	(12.70) .500	(15.21) .599	14-56-4065	A-70400-1475
7	(15.24) .600	(17.75) .699	14-56-4075	A-70400-1476
8	(17.78) .700	(20.29) .799	14-56-4085	A-70400-1477
9	(20.32) .800	(22.83) .899	14-56-4095	A-70400-1478
10	(22.86) .900	(25.37) .999	14-56-4105	A-70400-1479
11	(25.54) 1.000	(27.91) 1.099	14-56-4115	A-70400-1480
12	(27.94) 1.100	(30.45) 1.199	14-56-4125	A-70400-1481
13	(30.48) 1.200	(32.99) 1.299	14-56-4135	A-70400-1482
14	(33.02) 1.300	(35.53) 1.399	14-56-4145	A-70400-1483
15	(35.56) 1.400	(38.07) 1.499	14-56-4155	A-70400-1484
16	(38.01) 1.500	(40.61) 1.599	14-56-4165	A-70400-1485
17	(40.64) 1.600	(43.15) 1.699	14-56-4175	A-70400-1486
18	(43.18) 1.700	(45.69) 1.799	14-56-4185	A-70400-1487
19	(45.72) 1.800	(48.23) 1.899	14-56-4195	A-70400-1488
20	(48.26) 1.900	(50.77) 1.999	14-56-4205	A-70400-1489
21	(50.80) 2.000	(53.31) 2.099	14-56-4215	A-70400-1490
22	(53.34) 2.100	(55.85) 2.199	14-56-4225	A-70400-1491
23	(55.88) 2.200	(58.39) 2.299	14-56-4235	A-70400-1492
24	(58.42) 2.300	(60.93) 2.399	14-56-4245	A-70400-1493
25	(60.96) 2.400	(63.47) 2.499	14-56-4255	A-70400-1494

REV.	DATE	BY	REVISIONS
D			REVISED PER ECR NO. U82110 10-17-88 AAB
E			LEAD FREE LCP2004-1769 RWHITE 04/03/22
DI			ADD CARRIER CHAMF ECR# UDT1998-0280 05/20/98 LMCGRATH
			REDRAWN ON CAD ECR# 8842 5/8/86 W.Z.

DIMENSIONS SHOWN (METRIC) INCH	
UNLESS OTHERWISE SPECIFIED TOLERANCES: ANGULAR ± 1/2°	
3 PLACE	± .010
2 PLACE	± .014 ± 0.25
1 PLACE	± 0.35

▽ =	▼ =	REVISE ONLY ON CAD SYSTEM
TITLE ASSEMBLY, SL CONNECTOR (SINGLE ROW- (2.54)/.100 GRID)		
MOLEX INCORPORATED LITSE,ILL. 60532 U.S.A.		SHEET NO. DATE 10 / 11/84
PART NO. SDA-70400-1471-1494		DRWG. NO.
SEE CHART		
FILE NAME S70400DX9	THIS DRAWING CONTAINS INFORMATION THAT IS PROPRIETARY TO MOLEX INC. AND SHOULD NOT BE USED WITHOUT WRITTEN PERMISSION.	
DRWG. BY WAZ	CHK'D. BY WAZ	SCALE 4 : 1
LTR.	REVISIONS	LTR.