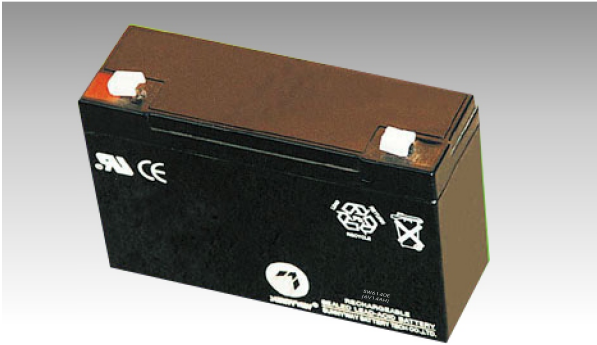
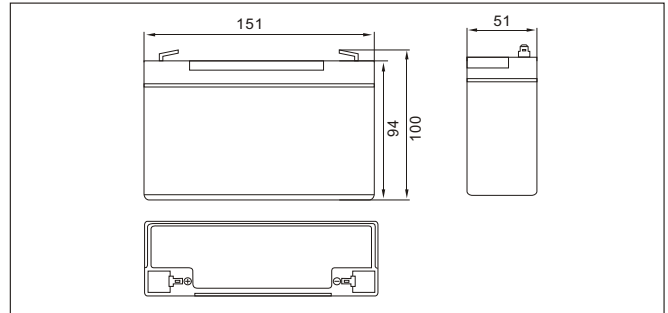




SW6140E(6V14AH)



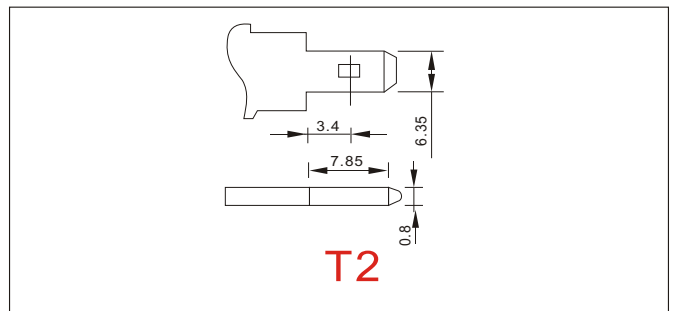
Outer dimensions (mm)



Specifications

Nominal Voltage	6 V	
Rated capacity (20 hour rate)	14Ah	
Dimensions	Total Height	100 mm(3.94 inches)
	Height	94 mm(3.70 inches)
	Length	151 mm(5.94 inches)
	Width	51 mm(1.97 inches)
Weight Approx	2.1 Kg(4.62lbs)	

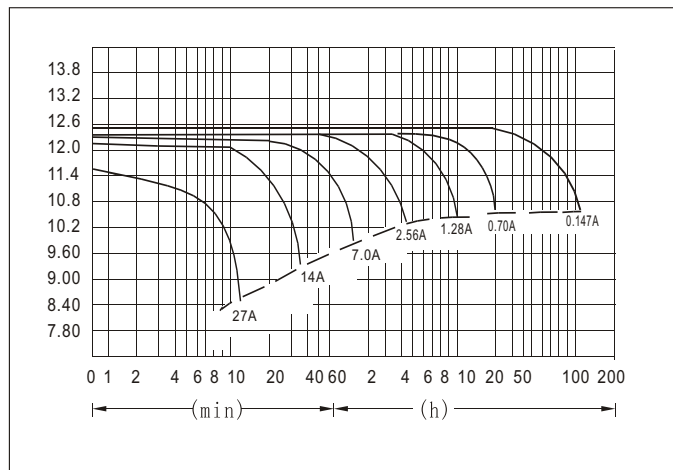
Terminal Type (mm)



Characteristics

Capacity 25°C(77°F)	20 hour rate(0.70A)	14.0 AH
	10 hour rate(1.28A)	12.8 AH
	5 hour rate(2.24A)	11.2 AH
	1 hour rate(7.70A)	7.70 AH
	Internal Resistance	Full charged Battery at 25°C(77°F)
Capacity affected by Temperature (20hour rate)	40°C(104°F)	102%
	25°C(77°F)	100%
	0°C(32°F)	85%
	-15°C(5°F)	65%
Self-Discharge at 25°C(77°F)	Capacity after 3 month storage	91%
	Capacity after 6 month storage	82%
	Capacity after 12 month storage	64%
Terminal		T2
Charge (constant Voltage)	Cycle	Initial Charging Current less than 3.5 A Voltage 7.20-7.35 V
	Float	Voltage 6.75-6.90 V

Discharge Curves 25°C(77°F)



Constant Current(Amp) and Constant Power(Watt) Discharge Table at 25°C(77°F)

Time		10min	30min	1h	3h	4h	5h	8h	10h	20h	50h	100h
9.60V	A	27	15	8	3.3	2.56	2.11	1.49	1.35	0.73	0.302	0.155
	W	300	156	89	38	30	24	17	16	8.4	3.6	1.8
10.20V	A	26	14.2	7.2	3.2	2.50	2.08	1.46	1.31	0.71	0.292	0.151
	W	289	155	84	37	29	24	17	15	8.2	3.5	1.8
10.50V	A	25	13.5	7.0	3.1	2.46	2.05	1.45	1.28	0.70	0.287	0.147
	W	280	146	81	36	28	24	17	15	8.1	3.4	1.8
10.80V	A	23	13	6.8	3.0	2.4	2.00	1.41	1.25	0.69	0.282	0.146
	W	269	141	77	35	28	23	16	15	8.1	3.4	1.7
11.10V	A	22	12	6	2.9	2.3	1.95	1.37	1.22	0.66	0.277	0.141
	W	264	140	75	35	28	23	16	14	7.8	3.3	1.7