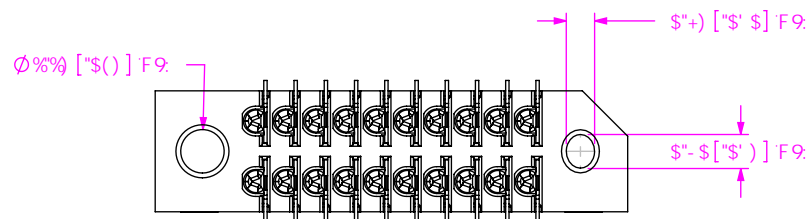
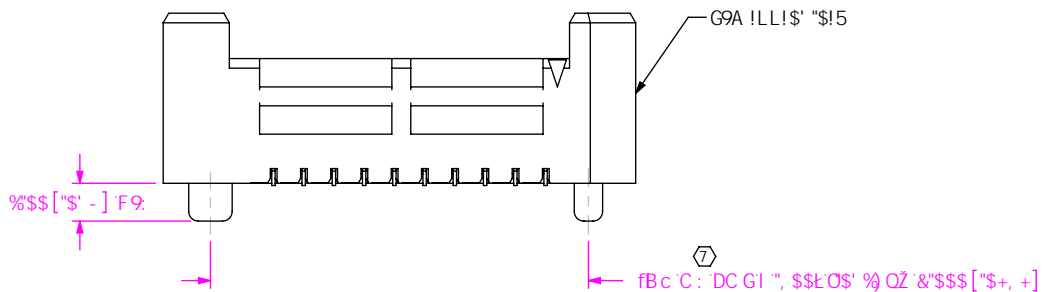


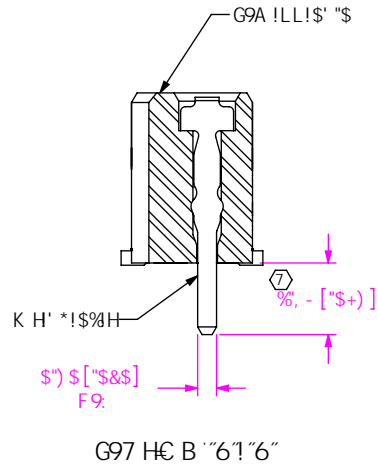
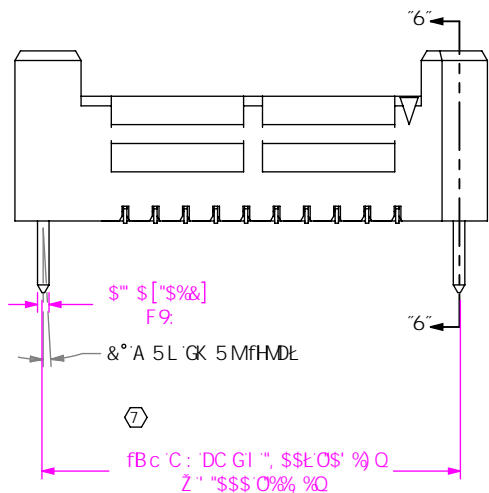


F9J €€ B '5

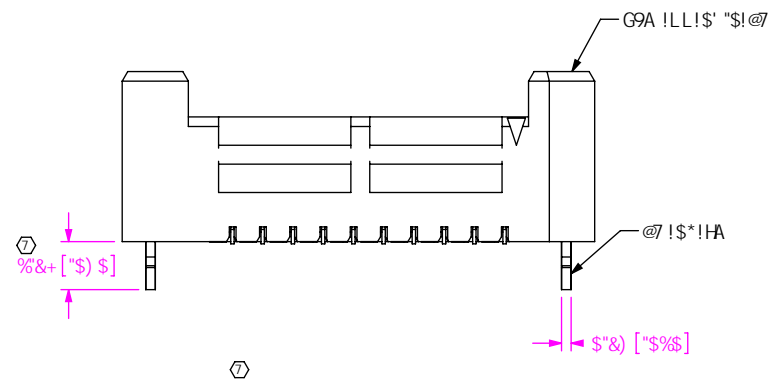
G9A !%&!\$&\$" "\$!LL!8!5 'G<CK B



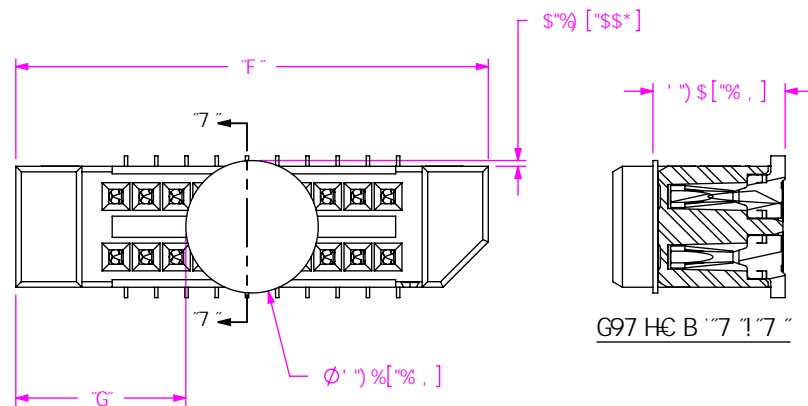
G9A !%&!\$&\$" "\$!LL!8!K HG<CK B



G9A !%&!\$&\$" "\$!LL!8!@ 'G<CK B



G9A !%&!\$&\$" "\$!LL!8!?' 'G<CK B



BC HR: "F" "1 C J 9F5 @ @9B; H: "f9: L  
 .....G"1 dTF "!" ) %O%, Q#& OS+, +Qj- '\$') %OS&Q

DFC DF 9H5 FMBC H9  
 H: €BC 71A 98H7 CBH6 BG B CFA 5HC B  
 7 C B: 498H5 95B8 DFC DF 945FMBC  
 GSA H97 2 87 "5B8 G-5MBC H69 F90FC 81 7 98  
 CF HF5BG 9F98 HC CH: 9F BC 71A 98HGCF  
 8 47 @C 98H HC CH: 9FGCF 1 98: CF 5BM  
 DI FDC 99 CH: 9F H: 5B H: 5HK < 7 < #HK 5G  
 C 6H5 B 98 K #€ C1 H: 9 9L DF 9098 K F #H8  
 7 C B 98HC: GSA H97 2 87 "

8C 'BCH G7 5 @9 8F5K B:

G: 99HG7 5 @9 ) : %

**samtec**

) &\$ D5F? 95GH6@ 8ZB 9K '5 @5BM B' (+) \$  
 D<C B 9; %&L - ((1\*+' ..... 5L; %&L - (, ) \$ (+  
 YIA UJ; ) 6z 4 GSA H97 "WcA ..... WcXY.)' ) &&

89G7 F 0HC B:

" , A A 'H# 9F 9M9A 7 FC 'GC 7 ? 9H

8K : "BC"

G9A !%&L!LL!LL "L!LL!8!LL!LL

6M 6'F5M %\$!% !&\$ \$+ G< 99H & C: &