

FEATURES AND SPECIFICATIONS

Features and Benefits

- Modularity
- Moveable screw clamp with captive screw
- Test facility
- Vertical (180°) mounting type
- Available in blocks of 2 and 3 positions which allow any configuration to be assembled with minimum inventory
- Standard color is green; black available, contact factory

Electrical

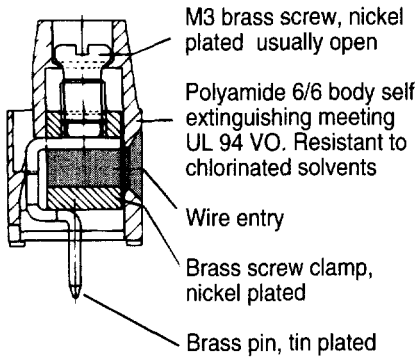
Voltage: Pitch 5mm (.197")—250V
 Pitch 10mm (.394")—750V
 Current: 13.5A
 Contact Resistance: 15mΩ max.
 Insulation Resistance: 10⁹Ω min. (500V DC)
 Wire Range: 32-12 AWG

Physical

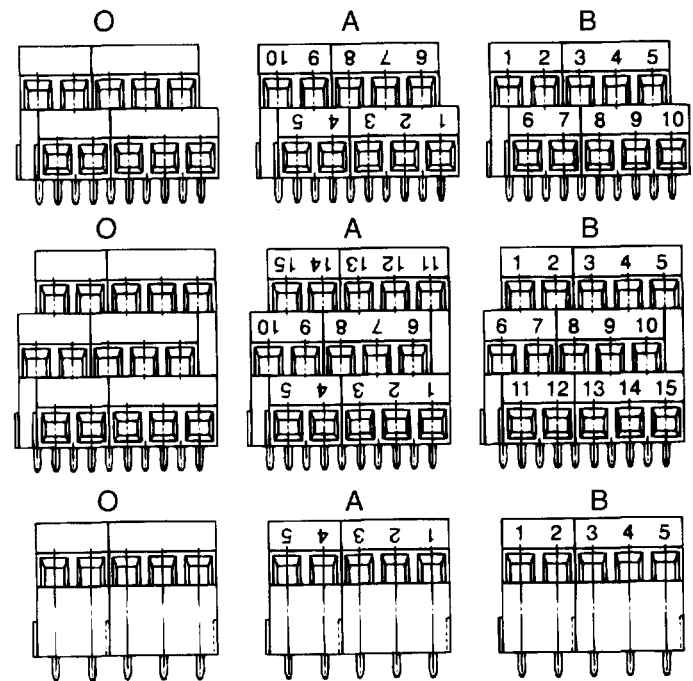
Mounting Hole: 1.1mm (.043") min.
 Color: Green
 Temperature: -40 to 110°C



The PSB Series is the latest solution to the compact requirements for the wiring and connections on PC boards. The wire entry position on the 2 or 3 symmetrically staggered levels guarantees the best accessibility and a good sight of the connection points. The 2 or 3 level-blocks can be assembled with each other, with the Medium and High towers and with the MSB Series, in innumerable configurations.



Marking Style



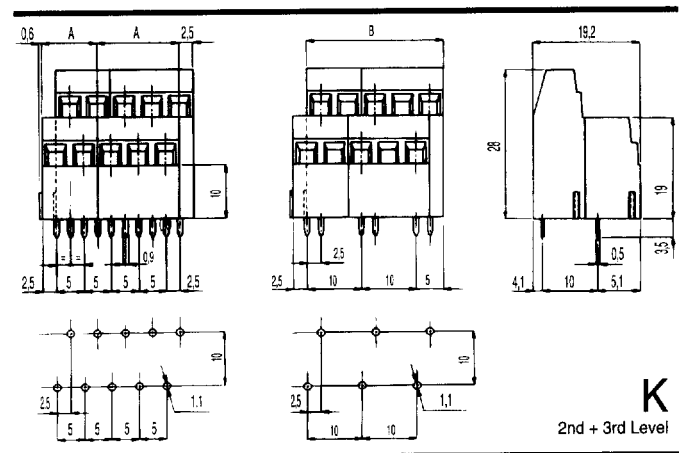
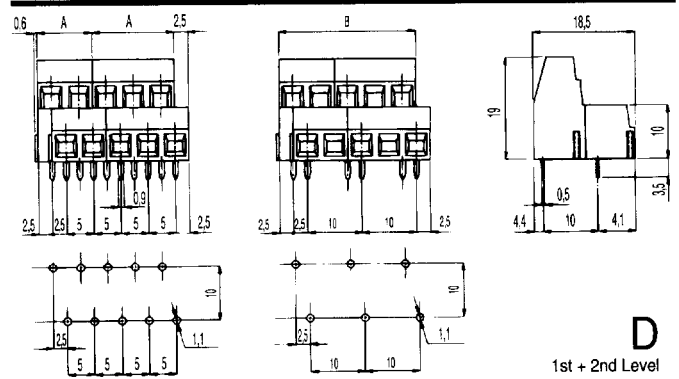
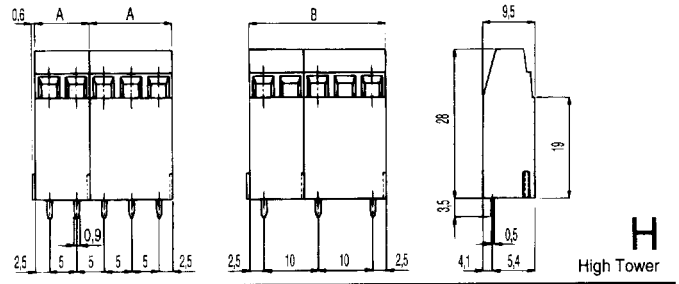
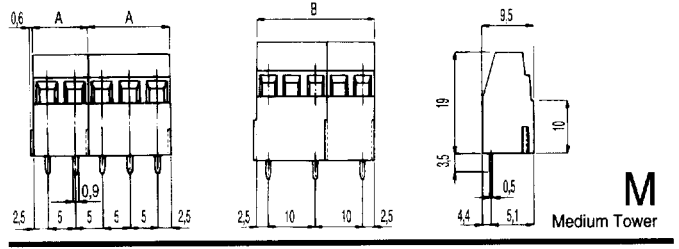
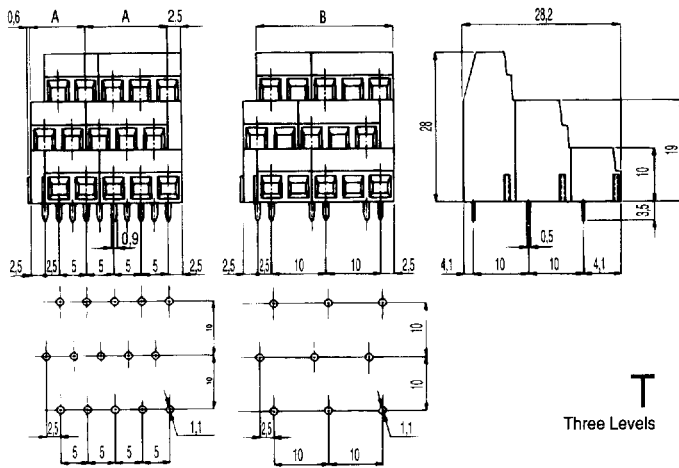
Pitch

- 1—5mm (.197"), 2—10mm (.394"), 5—5.08mm (.200")



FEATURES AND SPECIFICATIONS

molex Molex ETC™
PSB Series
Modular Terminal Blocks

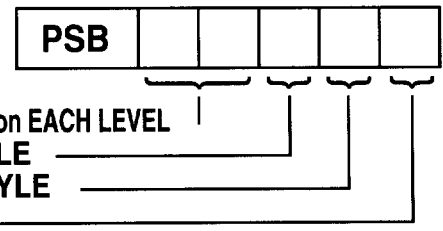


Mounting Type/Dimensions

No. of Positions	A 5mm	B 7.5mm	C 5.08mm	No. of Positions	A 5mm	B 7.5mm	C 5.08mm
02	10	15	10.16	10	50	95	50.80
03	15	25	15.24	11	55	105	55.88
04	20	35	20.32	12	60	115	60.96
05	25	45	25.40	13	65	125	66.04
06	30	55	30.48	15	75	145	
07	35	65	35.56	20	100		
08	40	75	40.64	25	125		
09	45	85	45.72	30	150		

To pick a part number—Complete the ordering code by choosing the number of Positions, the style of Marking (O, A, B), the Mounting Type (T, M, H, D, K), and the Pitch

ordering code



NO. of POSITIONS on EACH LEVEL
 MARKING STYLE
 MOUNTING STYLE
 PITCH

