

INTRODUCTION:

Adam Tech PCB Series high density connectors terminate Flexible Printed Circuits (FPC) and Flexible Flat Cables (FFC). Our design incorporates a specially engineered contact which reduces conductor abrasion while maintaining high contact pressure, the result being smoother conductor insertion and high reliability contact performance. Our low profile design has a narrow width and is available in top or side entry. Two body styles include a slotted flat flex circuit type and an individual socket type for solid or fused stranded wires. Their low cost and ease of use make them suitable for most applications.

FEATURES:

- .049" staggered footprint or .100" in-line footprint
- Low insertion force and high contact pressure
- Top and side entry types
- Circuit sizes 2 - 21
- Low applied cost
- Accepts wide range of conductor thicknesses

MATING OPTIONS:

Mates with Flexible Printed Circuits (FPC) and Flexible Flat Cable (FFC)

SPECIFICATIONS:

Material:

Insulator: Polybutylene Terephthalate (PBT), glass reinforced, thermoplastic, rated UL 94V-0

Insulator color: Black

Contacts: Phosphor Bronze

Plating:

100 μ m bright tin plate to MIL-T-10727, Type 1 over 50 μ m copper underplate to MIL-C-14550

Electrical:

Operation voltage: 250 VAC

Current rating: 1 Amp max

Contact resistance: 20 m Ω max with 0.3 mm FFC/FPC

Insulation resistance: 5000 M Ω min @ 1000 VDC between adjacent contacts (75°F and 50% R.F.)

Dielectric withstanding voltage: 1000 VAC min rms (sea level)

Mechanical:

Insertion force: 5 oz. max per position

Withdrawal force: 3 oz. min per position

Recommended conductor thickness: .006" - .020"

Mating durability: 8 cycles min

Environmental:

Operating temperature: -65°C to +105°C

PACKAGING:

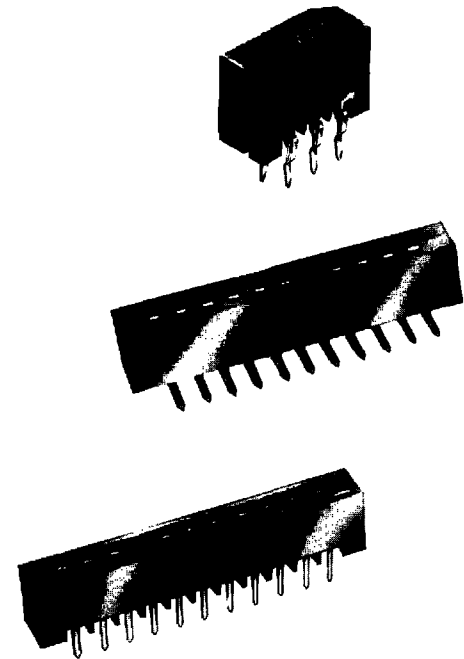
Anti-static foam trays or tubes

APPROVALS AND CERTIFICATIONS:

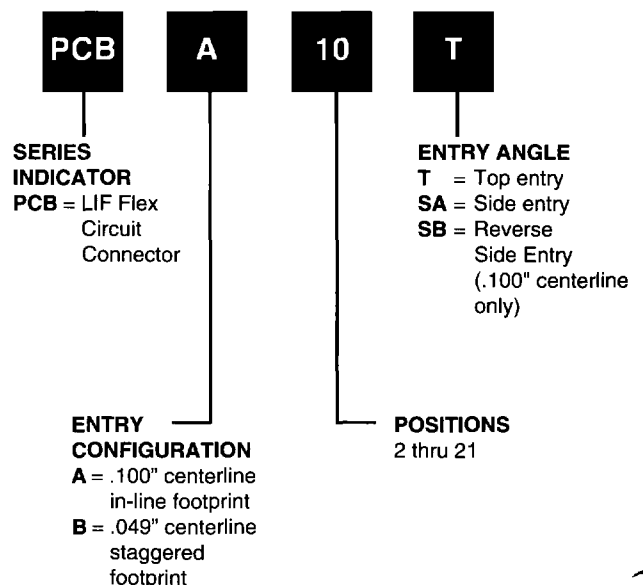
Recognized under the component program

of Underwriters Laboratories, Inc. No. E167232

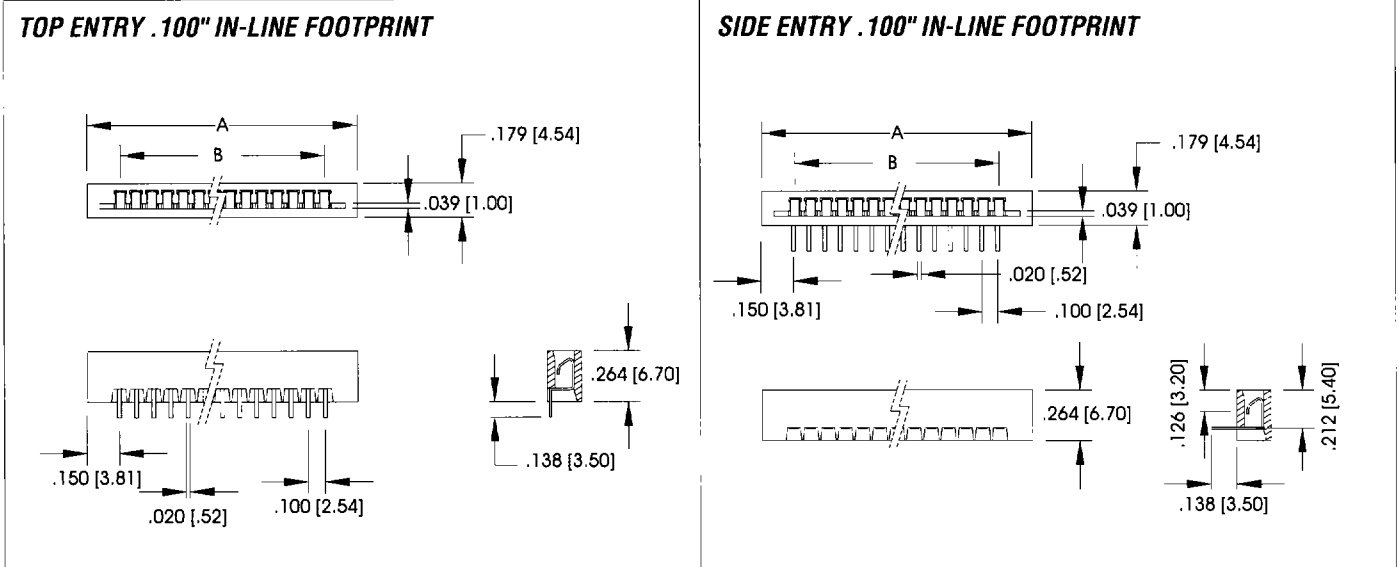
Certified by Canadian Standards Association No. LR75112



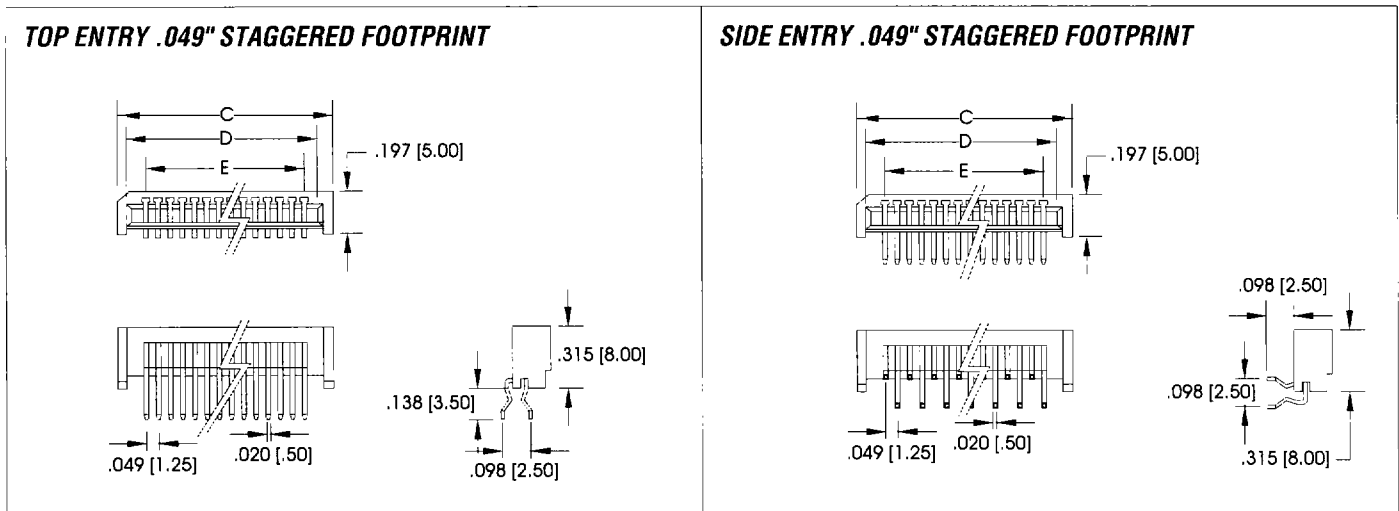
ORDERING INFORMATION



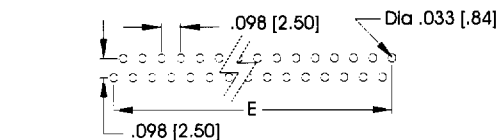
.100" [2.54] CENTERLINE



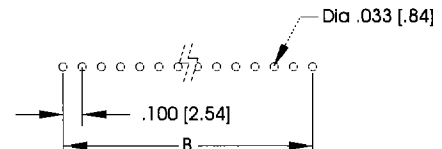
.049" [1.25] CENTERLINE



PC Board Layout - .049" Staggered



PC Board Layout - .100" In-Line



Dimensional:																	
POSITIONS	2	3	4	5	6	7	8	9	10	11	12	13	14	15	16	17	18
A	0.400 (10.16)	0.500 (12.70)	0.600 (15.24)	0.700 (17.78)	0.800 (20.32)	0.900 (22.86)	1.000 (25.40)	1.100 (27.94)	1.200 (30.48)	1.300 (33.02)	1.400 (35.56)	1.500 (38.10)	1.600 (40.64)	1.700 (43.18)	1.800 (45.72)	1.900 (48.26)	2.000 (50.80)
B	0.100 (2.54)	0.200 (5.08)	0.300 (7.62)	0.400 (10.16)	0.500 (12.70)	0.600 (15.24)	0.700 (17.78)	0.800 (20.32)	0.900 (22.86)	1.000 (25.40)	1.100 (27.94)	1.200 (30.48)	1.300 (33.02)	1.400 (35.56)	1.500 (38.10)	1.600 (40.64)	1.700 (43.18)
C	0.232 (5.90)	0.281 (7.15)	0.331 (8.40)	0.380 (9.65)	0.429 (10.90)	0.478 (12.15)	0.528 (13.40)	0.577 (14.65)	0.626 (15.90)	0.675 (17.15)	0.724 (18.40)	0.774 (19.65)	0.823 (20.90)	0.872 (22.15)	0.921 (23.40)	0.970 (24.65)	1.020 (25.90)
D	0.150 (3.80)	0.199 (5.05)	0.248 (6.30)	0.297 (7.55)	0.346 (8.80)	0.396 (10.05)	0.445 (11.30)	0.494 (12.55)	0.543 (13.80)	0.593 (15.05)	0.642 (16.30)	0.691 (17.55)	0.740 (18.80)	0.789 (20.05)	0.839 (21.30)	0.888 (22.55)	0.937 (23.80)