

MAX solutions

MILL-MAX BOTTOM-ENTRY RECEPTACLES SUPPLIED ON TAPE FOR SURFACE MOUNT APPLICATIONS



FEATURES:

- Uses Mill-Max #02 contact, designed to accept a pin or component lead .040-.050" diameter, .100-.175" long.
- Supplied on 12mm wide carrier tape to feed industry standard pick and place machines, 1500 parts per 13" reel.
- Mounts in a .090 ±.003" PTH.
- Designed for "intrusive reflow" assembly and soldering:

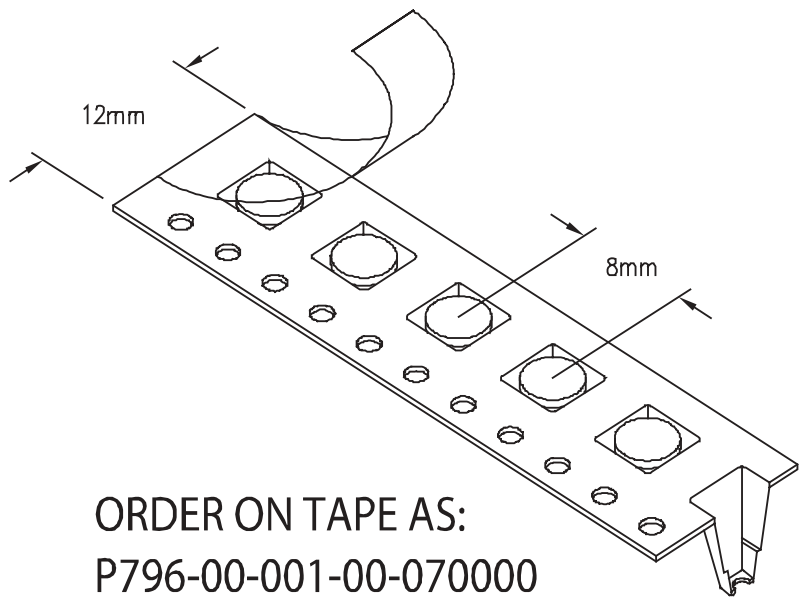
Intrusive reflow (also called "pin-in-paste") is a technique of using conventional thru-hole components in a reflow soldering process. The receptacles are placed into plated-thru-holes in the circuit board (solder paste has previously been screen printed on pads adjacent to the holes) and the board is reflowed in the same pass as other SMT components. Solder will fill the holes and achieve solder joints as reliable as wave soldering without having to mask the receptacles. "Overprinting" paste on the solder mask can be used to adjust the volume of paste required to fill each hole.

(6/01- 507)

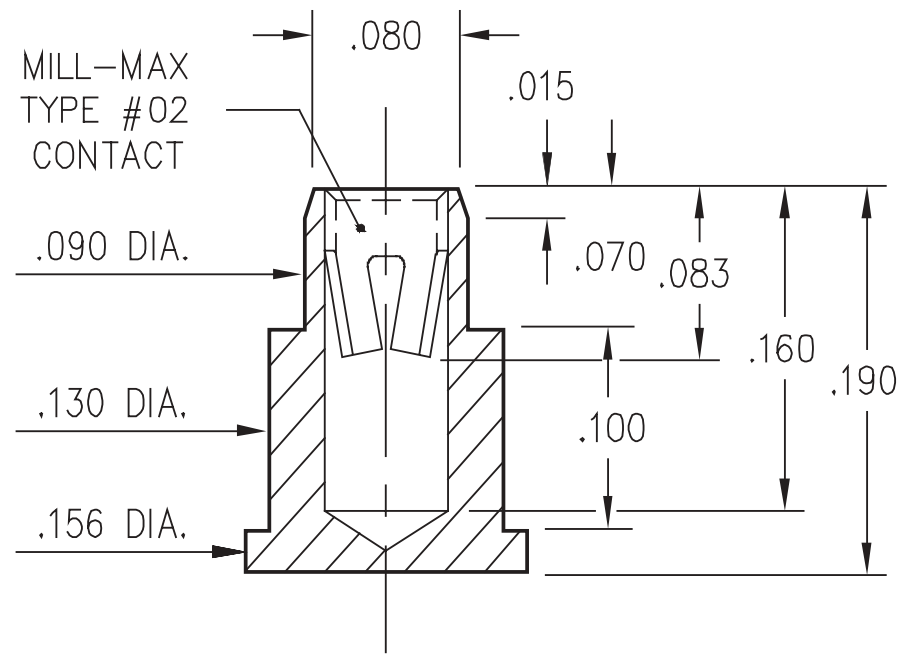
Mill-Max Mfg. Corp. • 190 Pine Hollow Road, Oyster Bay, NY 11771-0300
516-922-6000 • Fax: 516-922-9253
e-mail: techserv@mill-max.com or
sales@mill-max.com
www.mill-max.com



DATABASE NO.	FILE NAME	REV	DATE	DESCRIPTION



ORDER ON TAPE AS:
P796-00-001-00-070000
(1500 PARTS PER REEL)




ORDER LOOSE RECEPTACLES AS:
9184-0-15-08-02-27-40-0

PRE-ASSIGNED PIN #

NOTES:

1. SHELL MATERIAL: BRASS ALLOY 360, 1/2 HARD.
2. SHELL FINISH: 300 μ " BRIGHT TIN OVER 100 μ " COPPER.
3. CONTACT MATERIAL: BERYLLIUM COPPER ALLOY 172, HT.
4. CONTACT FINISH: 30 μ " GOLD OVER 50 μ " NICKEL.

		MILL-MAX MFG. CORP. P.O. BOX 300, 190 PINE HOLLOW ROAD, OYSTER BAY, NY 11771-0300 TEL: (516)922-6000, FAX: (516)922-9253, WEB: WWW.MILL-MAX.COM						
		DIMENSIONS IN INCHES	DIMENSIONS IN INCHES	SCALE	DATE	DRAWN	CHECKED	ENG. APPROVAL
PIN TOLERANCES: LENGTHS \pm .005 DIAMETERS \pm .002 ANGLES \pm 2°	INSULATOR TOLERANCES: LENGTHS \pm .005 THICKNESS \pm .003 HOLE TO HOLE \pm .001 NON ACCUMULATIVE	—	1/19/00	D.M.				
		TITLE BOTTOM ENTRY SMT RECEPTACLES						
		CUSTOMER APPROVAL			DATE	PROPOSAL NUMBER		REV
						PR#507		